

REV.	DESCRIPTION	DATE	BY

MODEL ANFF-3 ISOLATOR 4 INCH FLOATING FLOOR			
MODEL NO.	LOAD	PART NUMBER	COLOR CODE
ANFF-3-500	500	770097-1	YELLOW
ANFF-3-700	700	770097-2	GREEN
ANFF-3-1000	1000	770097-3	RED
ANFF-3-1280	1280	770097-4	WHITE

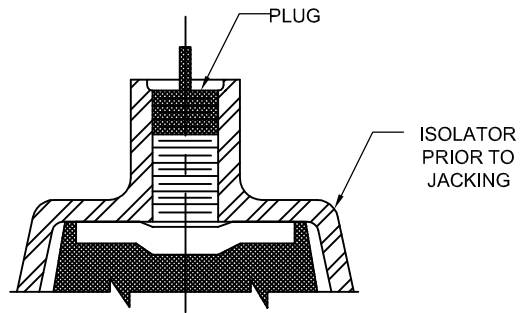
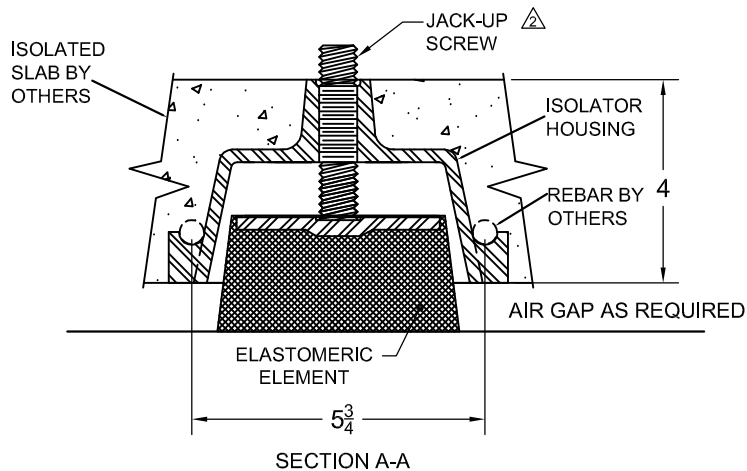
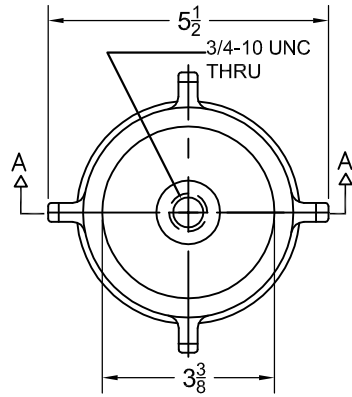


FIGURE 1
PLUG APPLICATION ILLUSTRATION
SHIPPED LOOSE

FOR INDICATED AIR GAP, ORDER THE FOLLOWING JACK -UP SCREW

PART NUMBER	AIR GAP	LENGTH
145745-1	1-1 1/2	2 1/2 "
145235	1 1/2-2 1/2	3 1/2"
145745-2	2 1/2-3 1/2	4 1/2"
145236	3 1/2-4 1/2	5 1/2"

NOTES:

- HOUSING; GREY CAST IRON
- CUSTOMER SPECIFIED BASE ON AIR GAP REQUIREMENTS SOLD SEPARATELY ON PURCHASE ORDER.

OTHER MATERIALS, COMPOUNDS, OR FINISHES WITH EQUAL OR SUPERIOR PROPERTIES MAY BE SUBSTITUTED AS THEY BECOME AVAILABLE.

CERTIFIED FOR:

JOB NAME: _____

CUSTOMER : _____

CUSTOMER P.O.: _____

SALES ORDER: _____

MODEL ANFF-3 500-1280 LBS
ELASTOMERIC ISOLATOR
4 INCH FLOATING FLOOR
0.02-0.03 DEFLECTION



THE VMC GROUP
The Power of Together
Bloomington, NJ 07403
Houston, TX 77041

SCALE :

NONE

SHEET:



DRAWING NO.:

REVISION