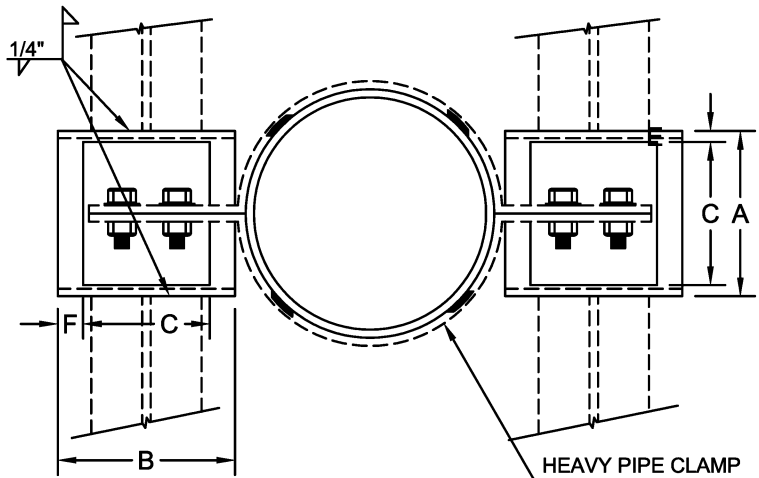


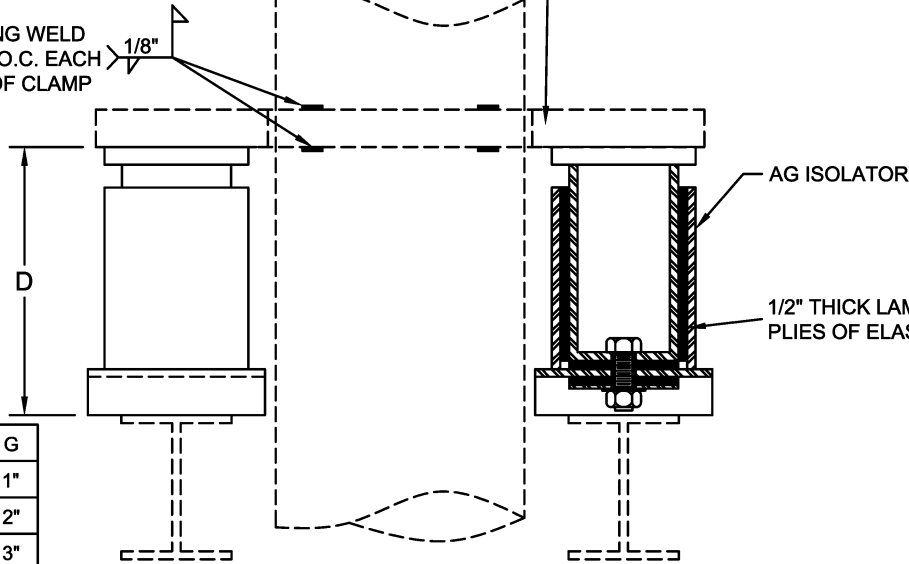
REV.	DESCRIPTION	DATE	BY



AG SIZE	MAX. LOAD RATING (LBS.)		DIMENSIONS (IN.)					
	VERT.	HORIZ.	A	B	C	D	E	F
AG-1	1000	500	3	4	3	4-7/8	---	1/2
AG-2	1800	900	4	4-1/2	3-1/2	6	1/4	1/2
AG-3	3000	1500	4	5	4	6-3/4	---	1/2
AG-4	4200	2100	6	6	5	8	1/2	1/2
AG-5	7500	3750	6	7	6	9-1/4	---	1/2
AG-6	11800	5900	8	8	7	11	1/2	1/2
AG-7	17000	8500	8	9	8	12-1/4	---	1/2
AG-8	30700	15350	10	11	10	15-1/2	---	1/2

HEAVY PIPE CLAMP (BY OTHERS)

G" LONG WELD @ 90° O.C. EACH SIDE OF CLAMP



NOTES:

- LOAD RATINGS ARE PER AG-ISOLATOR. MULTIPLY LOADS BY NUMBER OF AG ISOLATORS USED TO OBTAIN TOTAL ALLOWABLE LOAD.
- AG ISOLATORS BY AMBER/BOOTH. PIPING ATTACHMENTS BY OTHERS.

SIZE	G
AG-1	1"
AG-2 TO 6	2"
AG-7	3"
AG-8	5"

OTHER MATERIALS, COMPOUNDS, OR FINISHES WITH EQUAL OR SUPERIOR PROPERTIES MAY BE SUBSTITUTED AS THEY BECOME AVAILABLE.

CERTIFIED FOR:

JOB NAME: _____
 CUSTOMER : _____
 CUSTOMER P.O.: _____
 SALES ORDER: _____

MODEL AG ISOLATOR FOR PIPE ANCHOR



THE VMC GROUP
The Power of Together
 Bloomingdale, NJ 07403
 Houston, TX 77041

SCALE:

NONE

SHEET:



DRAWING NO.:

REVISION