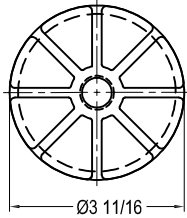


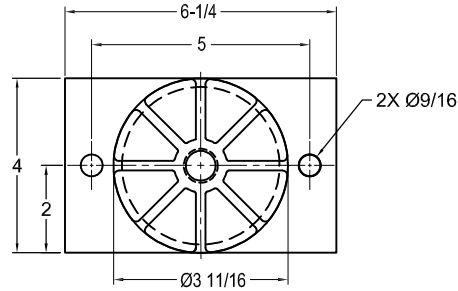
133R-101905 REV.: 6

REV.	DESCRIPTION	DATE	BY

STYLE A
MODEL A-2D



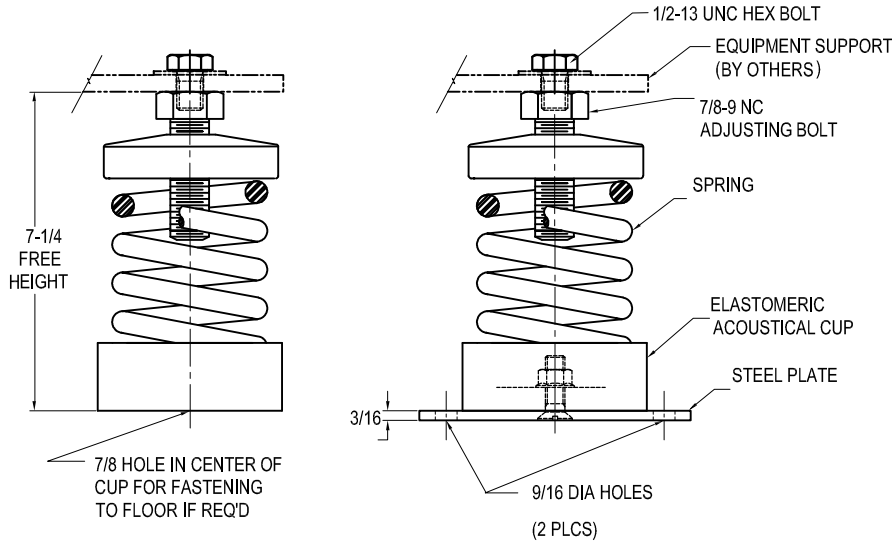
STYLE AB
MODEL AB-2D



MODELS A & AB-2D SPRING-FLEX ISOLATORS				
MODEL	MAX LOAD (LBS)	DEFLECTION (IN)	SPRING RATE (LB/IN)	SPRING COLOR CODE
A*-2D-75 ²	75	2.42	31	WHITE
A*-2D-160 ²	160	2.29	70	YELLOW
A*-2D-230 ²	230	2.30	100	GREEN
A*-2D-355 ²	355	2.15	165	DK. BROWN
A*-2D-435 ²	435	1.89	230	RED
A*-2D-725 ²	725	1.81	400	TAN
A*-2D-845 ²	845	1.48	570	PINK
A*-2D-1000N ^{1,2}	1000	1.69	592	PINK/BLACK
A*-2D-1320N ^{1,2}	1320	1.54	857	PINK/GRAY
A*-2D-1435N ^{1,2}	1435	1.48	970	PINK/GRAY/ORANGE

NOTES:

1. TWO NESTED SPRINGS YIELD THIS LOAD. THE COLOR CODE IS FOR OUTER SPRING/ INNER SPRING.



NOTES:

- ALL DIMENSIONS IN INCHES. INTERPRET PER ANSI Y14.
- FINISH: CASTING AND SPRING- POWDER COAT, HARDWARE- ZINC ELECTROPLATE
- REFER TO DRAWING 2 OF 2 FOR INSTALLATION INSTRUCTIONS.
- INNER SPRING (WHEN USED) NOT SHOWN.
- ALL SPRINGS DESIGNED WITH 50% OVER-TRAVEL.
- RATED DEFLECTIONS ARE WITHIN 25% OF NOMINAL. HIGHER DEFLECTIONS ARE ALLOWED IF THEY MEET SPECIFICATIONS.

ISOLATOR SELECTIONS

LOC 1:	LOC 2:
LOC 3:	LOC 4:
LOC 5:	LOC 6:
LOC 7:	LOC 8:
CUSTOMER EQPT. TAG:	

NOTE: MATERIAL SHOWN IS FOR (1) SET.

OTHER MATERIALS, COMPOUNDS, OR FINISHES WITH EQUAL OR SUPERIOR PROPERTIES MAY BE SUBSTITUTED AS THEY BECOME AVAILABLE.

CERTIFIED FOR:

JOB NAME: _____
 CUSTOMER: _____
 CUSTOMER P.O.: _____
 SALES ORDER: _____

**MODEL A & AB-2D 75-1435 LBS. OPEN
 SPRING-FLEX ISOLATORS
 2 INCH DEFLECTION**



THE VMC GROUP
 The Power of Together
 Bloomingdale, NJ 07403
 Houston, TX 77041

SCALE:

NONE

SHEET:



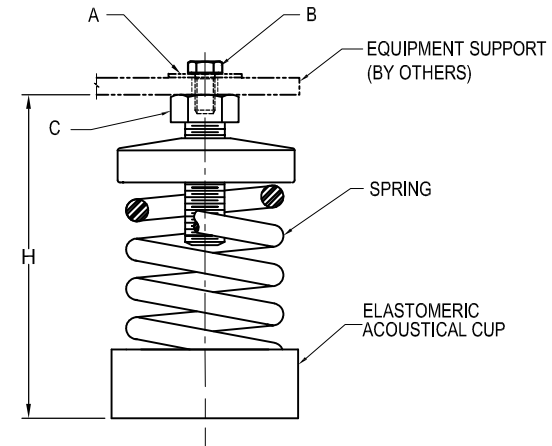
DRAWING NO.:

REVISION

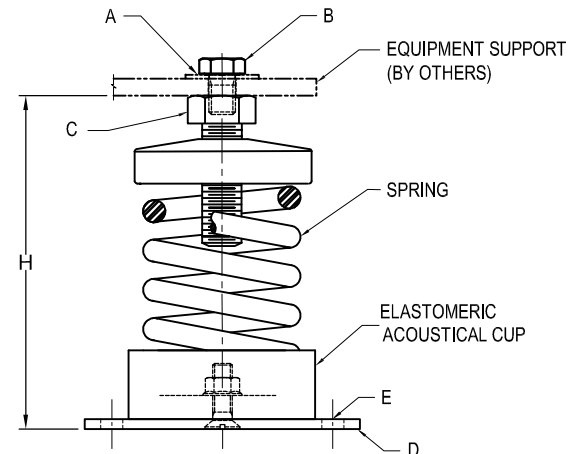
REV.	DESCRIPTION	DATE	BY

INSTALLATION INSTRUCTION

- ISOLATORS ARE SHIPPED FULLY ASSEMBLED AND ARE TO BE SPACED AND ARRANGED IN ACCORDANCE WITH INSTALLATION DRAWINGS OR AS OTHERWISE RECOMMENDED.
- SET ISOLATORS ON FLOOR OR SUB-BASE, ENSURING THAT ALL ISOLATOR CENTERLINES MATCH THE EQUIPMENT MOUNTING HOLES OR SPACE AND ARRANGE ISOLATORS IN ACCORDANCE WITH THE INSTALLATION DRAWING . SHIM OR GROUT AS REQUIRED LEVELING ALL ISOLATOR BASE PLATES AT THE SAME ELEVATION (1/4" MAXIMUM DIFFERENCE IN ELEVATION CAN BE TOLERATED). ISOLATOR BASE MUST REST ON A FLAT SURFACE.
- DESIGNATION OF ISOLATORS IS SHOWN ON TAG / LABEL ATTACHED TO EACH ISOLATOR OR ISOLATORS MAY BE IDENTIFIED BY SIZE OF BASE PLATE AND/OR SPRING COLOR CODE.
- IF FLOOR FASTENING IS REQUIRED, PLACE MOUNT AS INDICATED ON NOTE 1 THRU 3 AND ANCHOR USING (2) ANCHOR "E" THRU HOLES ON STEEL PLATE "D" (APPLIES ONLY TO **STYLE AB** MOUNT).
- REMOVE CAP SCREW "B" AND WASHER "A" FROM ADJUSTING BOLT "C", TURN ADJUSTING BOLT "C" COUNTER-CLOCKWISE TO SET "H" FOR ALL ISOLATORS.
- POSITION EQUIPMENT OVER THE ISOLATORS, ALIGN MOUNT ADJUSTING BOLT "C" TO EQUIPMENT BASE MOUNTING THRU HOLES.
- LOWER EQUIPMENT UNTIL IT REST ON ADJUSTING BOLT "C" (SPRING WILL COMPRESS)
- INSERT CAP SCREW "B" AND WASHER "A" ON ADJUSTING BOLT "C". DO NOT TIGHTEN.
- LEVEL EQUIPMENT BY TURNING ADJUSTING BOLT "C" AS REQUIRED
- TIGHTEN CAP SCREW "B". INSTALLATION IS COMPLETE



STYLE - A



STYLE - AB

CERTIFIED FOR:

JOB NAME: _____
 CUSTOMER: _____
 CUSTOMER P.O.: _____
 SALES ORDER: _____

**MODEL A & AB-2D 75-1435 LBS. OPEN
 SPRING-FLEX ISOLATORS
 2 INCH DEFLECTION**



THE VMC GROUP
The Power of Together
 Bloomingdale, NJ 07403
 Houston, TX 77041

SCALE: NONE

SHEET: _____

DRAWING NO.: _____

REVISION

