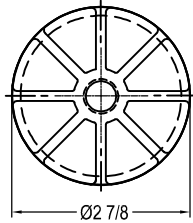


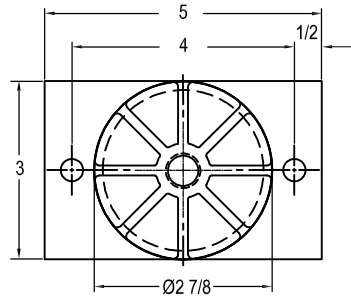
133R-101619 REV.: 5

REV.	DESCRIPTION	DATE	BY

STYLE A
MODEL A-1Y

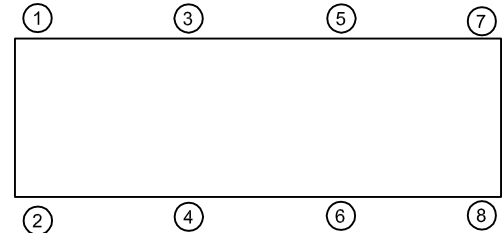
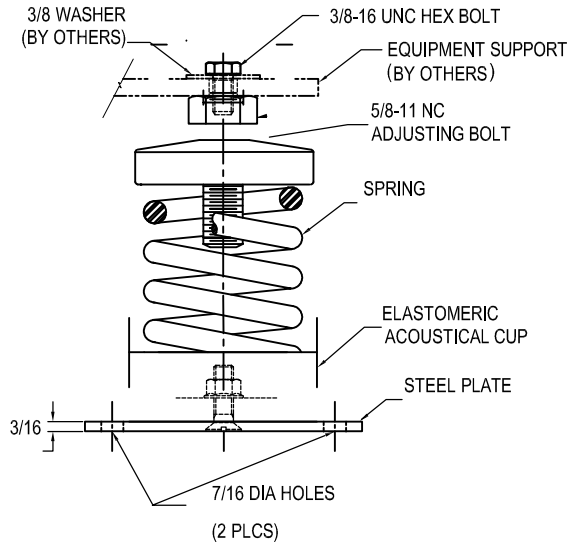
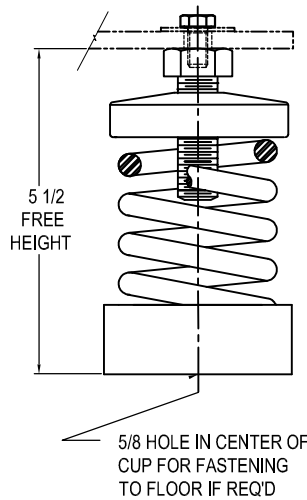


STYLE AB
MODEL AB-1Y



MODELS A & AB-1Y SPRING-FLEX ISOLATORS				
MODEL	MAX LOAD (LBS)	DEFLECTION (IN)	SPRING RATE (LB/IN)	SPRING COLOR CODE
A*-1Y-60 ¹	60	1.00	60	LT PURPLE
A*-1Y-125 ¹	125	1.30	96	DK BROWN
A*-1Y-225 ¹	225	1.30	173	ORANGE
A*-1Y-325 ¹	325	1.20	270	DK GREEN
A*-1Y-450 ¹	450	1.22	368	RED
A*-1Y-600 ¹	600	1.17	513	BLACK
A*-1Y-750 ¹	750	1.06	707	WHITE
A*-1Y-900 ¹	900	1.02	881	GRAY
A*-1Y-1100 ¹	1100	0.92	1200	DK BLUE

NOTES:
1. TO COMPLETE MODEL NUMBER, ADD STYLE LETTER (IF USED) IN PLACE OF *.



- NOTES:**
- ALL DIMENSIONS IN INCHES. INTERPRET PER ANSI Y14.
 - FINISH: CASTING AND SPRING-POWDER COAT, HARDWARE-ZINC ELECTROPLATE
 - REFER TO DRAWING 2 OF 2 FOR INSTALLATION INSTRUCTIONS.
 - INNER SPRING (WHEN USED) NOT SHOWN.
 - ALL SPRINGS DESIGNED WITH 50% OVER-TRAVEL.
 - RATED DEFLECTIONS ARE WITHIN 25% OF NOMINAL. HIGHER DEFLECTIONS ARE ALLOWED IF THEY MEET SPECIFICATIONS.

ISOLATOR SELECTIONS	
LOC 1:	LOC 2:
LOC 3:	LOC 4:
LOC 5:	LOC 6:
LOC 7:	LOC 8:
CUSTOMER EQPT. TAG:	

NOTE: MATERIAL SHOWN IS FOR (1) SET.

OTHER MATERIALS, COMPOUNDS, OR FINISHES WITH EQUAL OR SUPERIOR PROPERTIES MAY BE SUBSTITUTED AS THEY BECOME AVAILABLE.

CERTIFIED FOR:

JOB NAME: _____
 CUSTOMER: _____
 CUSTOMER P.O.: _____
 SALES ORDER: _____

MODEL A & AB-1Y 60-1100 LBS.
 OPEN SPRING-FLEX ISOLATORS
 1 INCH DEFLECTION



THE VMC GROUP
 The Power of Together
 Bloomingdale, NJ 07403
 Houston, TX 77041

SCALE:
 NONE

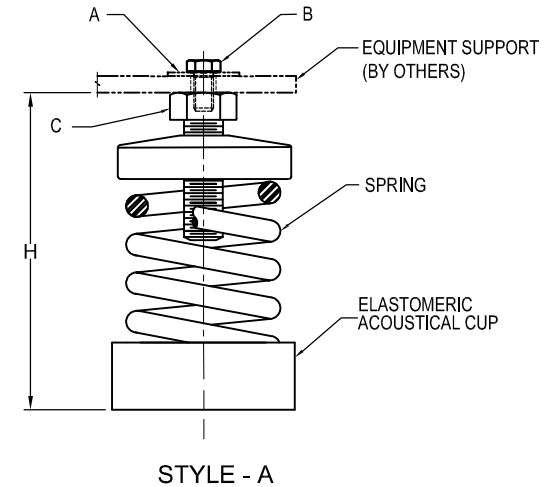


SHEET: _____
 DRAWING NO.: _____
 REVISION: _____

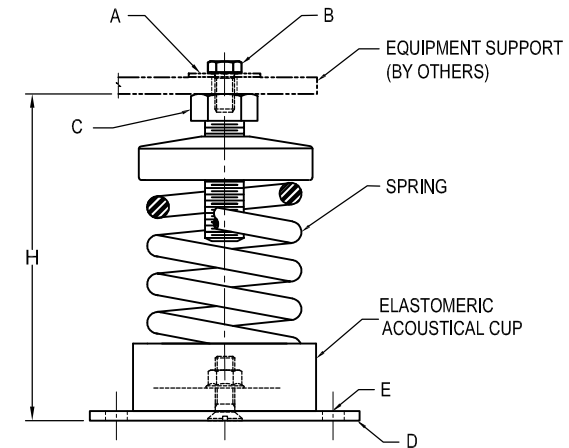
REV.	DESCRIPTION	DATE	BY

INSTALLATION INSTRUCTION

- ISOLATORS ARE SHIPPED FULLY ASSEMBLED AND ARE TO BE SPACED AND ARRANGED IN ACCORDANCE WITH INSTALLATION DRAWINGS OR AS OTHERWISE RECOMMENDED.
- SET ISOLATORS ON FLOOR OR SUB-BASE, ENSURING THAT ALL ISOLATOR CENTERLINES MATCH THE EQUIPMENT MOUNTING HOLES OR SPACE AND ARRANGE ISOLATORS IN ACCORDANCE WITH THE INSTALLATION DRAWING . SHIM OR GROUT AS REQUIRED LEVELING ALL ISOLATOR BASE PLATES AT THE SAME ELEVATION (1/4" MAXIMUM DIFFERENCE IN ELEVATION CAN BE TOLERATED). ISOLATOR BASE MUST REST ON A FLAT SURFACE.
- DESIGNATION OF ISOLATORS IS SHOWN ON TAG / LABEL ATTACHED TO EACH ISOLATOR OR ISOLATORS MAY BE IDENTIFIED BY SIZE OF BASE PLATE AND/OR SPRING COLOR CODE.
- IF FLOOR FASTENING IS REQUIRED, PLACE MOUNT AS INDICATED ON NOTE 1 THRU 3 AND ANCHOR USING (2) ANCHOR "E" THRU HOLES ON STEEL PLATE "D" (APPLIES ONLY TO **STYLE AB** MOUNT).
- REMOVE CAP SCREW "B" AND WASHER "A" FROM ADJUSTING BOLT "C", TURN ADJUSTING BOLT "C" COUNTER-CLOCKWISE TO SET "H" FOR ALL ISOLATORS.
- POSITION EQUIPMENT OVER THE ISOLATORS, ALIGN MOUNT ADJUSTING BOLT "C" TO EQUIPMENT BASE MOUNTING THRU HOLES.
- LOWER EQUIPMENT UNTIL IT REST ON ADJUSTING BOLT "C" (SPRING WILL COMPRESS)
- INSERT CAP SCREW "B" AND WASHER "A" ON ADJUSTING BOLT "C". DO NOT TIGHTEN.
- LEVEL EQUIPMENT BY TURNING ADJUSTING BOLT "C" AS REQUIRED
- TIGHTEN CAP SCREW "B". INSTALLATION IS COMPLETE



STYLE - A



STYLE - AB

CERTIFIED FOR:

JOB NAME: _____
 CUSTOMER : _____
 CUSTOMER P.O.: _____
 SALES ORDER: _____

**MODEL A & AB-1Y 60-1100 LBS.
 OPEN SPRING-FLEX ISOLATORS
 1 INCH DEFLECTION**



THE VMC GROUP
The Power of Together
 Bloomingdale, NJ 07403
 Houston, TX 77041

SCALE :
NONE
 SHEET:



DRAWING NO.: _____ REVISION