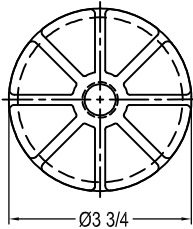


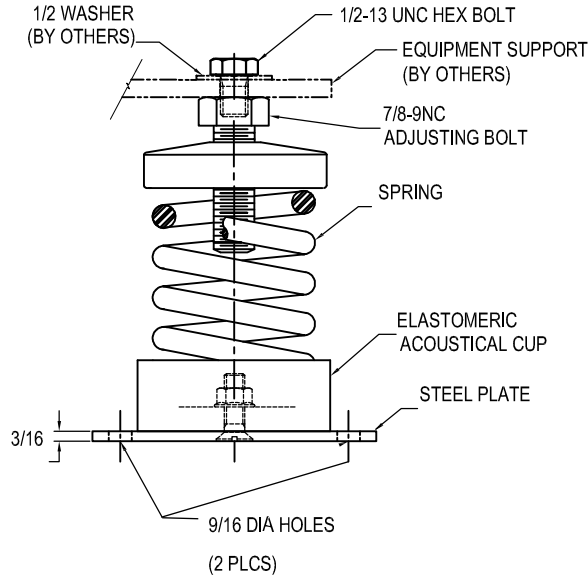
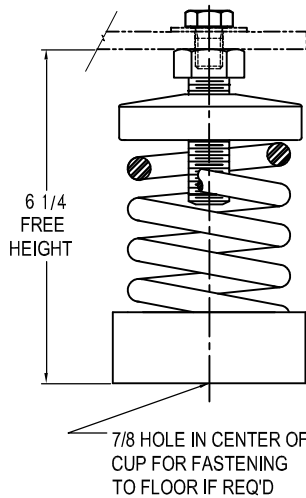
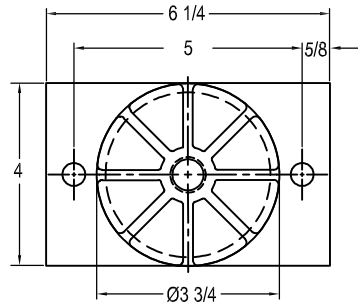
133R-101618 REV.: 6

REV.	DESCRIPTION	DATE	BY

STYLE A
MODEL A-1E



STYLE AB
MODEL AB-1E



NOTES:

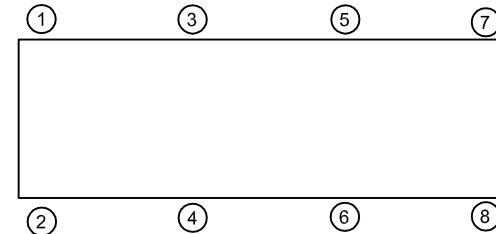
1. ALL DIMENSIONS IN INCHES. INTERPRET PER ANSI Y14.
2. FINISH: CASTING AND SPRING-POWDER COAT, HARDWARE-ZINC ELECTROPLATE
3. REFER TO DRAWING 2 OF 2 FOR INSTALLATION INSTRUCTIONS.
4. INNER SPRING (WHEN USED) NOT SHOWN.
5. ALL SPRINGS DESIGNED WITH 50% OVER-TRAVEL.
6. RATED DEFLECTIONS ARE WITHIN 25% OF NOMINAL. HIGHER DEFLECTIONS ARE ALLOWED IF THEY MEET SPECIFICATIONS.

MODELS A & AB-1E SPRING-FLEX ISOLATORS

MODEL	MAX LOAD (LBS)	DEFLECTION (IN)	SPRING RATE (LB/IN)	SPRING COLOR CODE
A*-1E-195 ²	195	1.95	100	DK BLUE
A*-1E-400 ²	400	1.32	303	BLACK
A*-1E-530N ^{1,2}	530	1.17	453	BLACK/ DK BLUE
A*-1E-650 ²	650	1.05	619	RED
A*-1E-825N ^{1,2}	825	1.07	771	RED/ DK BLUE
A*-1E-1000 ²	1000	1.00	1000	TAN
A*-1E-1200N ^{1,2}	1200	1.04	1154	TAN/ DK BLUE
A*-1E-1400 ²	1400	1.00	1400	PINK
A*-1E-1700N ^{1,2}	1700	1.10	1545	PINK/ DK BLUE
A*-1E-2000 ²	2000	1.11	1802	WHITE
A*-1E-2330N ^{1,2}	2330	1.11	2100	WHITE/ RED
A*-1E-2575N ^{1,2}	2575	1.11	2320	WHITE/DK PURPLE
A*-1E-2990N ^{1,2}	2990	1.11	2694	WHITE/DK GREEN
A*-1E-3250N ^{1,2}	3250	1.04	3125	WHITE/GRAY

NOTES:

1. TWO NESTED SPRINGS YIELD THIS LOAD. THE COLOR CODE IS FOR OUTER SPRING/ INNER SPRING.
2. TO COMPLETE MODEL NUMBER, ADD STYLE LETTER (IF USED) IN PLACE OF *.



ISOLATOR SELECTIONS

LOC 1:	LOC 2:
LOC 3:	LOC 4:
LOC 5:	LOC 6:
LOC 7:	LOC 8:
CUSTOMER EQPT. TAG:	

NOTE: MATERIAL SHOWN IS FOR (1) SET.

OTHER MATERIALS, COMPOUNDS, OR FINISHES WITH EQUAL OR SUPERIOR PROPERTIES MAY BE SUBSTITUTED AS THEY BECOME AVAILABLE.

CERTIFIED FOR:

JOB NAME: _____
 CUSTOMER: _____
 CUSTOMER P.O.: _____
 SALES ORDER: _____

MODEL A & AB-1E 195-3250 LBS.
 OPEN SPRING-FLEX ISOLATORS
 1 INCH DEFLECTION



THE VMC GROUP
 The Power of Together
 Bloomingdale, NJ 07403
 Houston, TX 77041

SCALE:

NONE

SHEET:



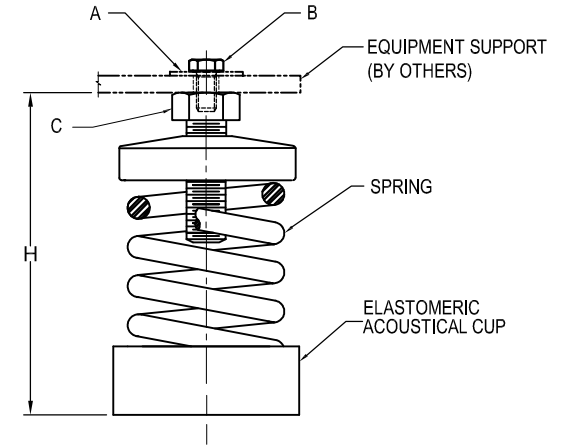
DRAWING NO.:

REVISION

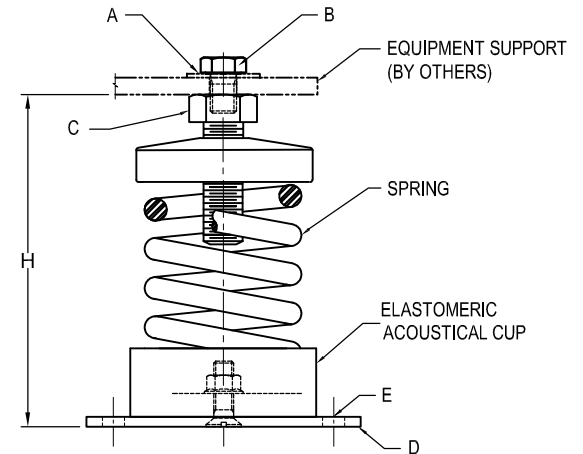
REV.	DESCRIPTION	DATE	BY

INSTALLATION INSTRUCTION

- ISOLATORS ARE SHIPPED FULLY ASSEMBLED AND ARE TO BE SPACED AND ARRANGED IN ACCORDANCE WITH INSTALLATION DRAWINGS OR AS OTHERWISE RECOMMENDED.
- SET ISOLATORS ON FLOOR OR SUB-BASE, ENSURING THAT ALL ISOLATOR CENTERLINES MATCH THE EQUIPMENT MOUNTING HOLES OR SPACE AND ARRANGE ISOLATORS IN ACCORDANCE WITH THE INSTALLATION DRAWING . SHIM OR GROUT AS REQUIRED LEVELING ALL ISOLATOR BASE PLATES AT THE SAME ELEVATION (1/4" MAXIMUM DIFFERENCE IN ELEVATION CAN BE TOLERATED). ISOLATOR BASE MUST REST ON A FLAT SURFACE.
- DESIGNATION OF ISOLATORS IS SHOWN ON TAG / LABEL ATTACHED TO EACH ISOLATOR OR ISOLATORS MAY BE IDENTIFIED BY SIZE OF BASE PLATE AND/OR SPRING COLOR CODE.
- IF FLOOR FASTENING IS REQUIRED, PLACE MOUNT AS INDICATED ON NOTE 1 THRU 3 AND ANCHOR USING (2) ANCHOR "E" THRU HOLES ON STEEL PLATE "D" (APPLIES ONLY TO **STYLE AB** MOUNT).
- REMOVE CAP SCREW "B" AND WASHER "A" FROM ADJUSTING BOLT "C", TURN ADJUSTING BOLT "C" COUNTER-CLOCKWISE TO SET "H" FOR ALL ISOLATORS.
- POSITION EQUIPMENT OVER THE ISOLATORS, ALIGN MOUNT ADJUSTING BOLT "C" TO EQUIPMENT BASE MOUNTING THRU HOLES.
- LOWER EQUIPMENT UNTIL IT REST ON ADJUSTING BOLT "C" (SPRING WILL COMPRESS)
- INSERT CAP SCREW "B" AND WASHER "A" ON ADJUSTING BOLT "C". DO NOT TIGHTEN.
- LEVEL EQUIPMENT BY TURNING ADJUSTING BOLT "C" AS REQUIRED
- TIGHTEN CAP SCREW "B". INSTALLATION IS COMPLETE



STYLE - A



STYLE - AB

CERTIFIED FOR:

JOB NAME: _____
 CUSTOMER: _____
 CUSTOMER P.O.: _____
 SALES ORDER: _____

**MODEL A & AB-1E 195-3250 LBS.
 OPEN SPRING-FLEX ISOLATORS
 1 INCH DEFLECTION**



THE VMC GROUP
The Power of Together
 Bloomingdale, NJ 07403
 Houston, TX 77041

SCALE:

NONE

SHEET:



DRAWING NO.:

REVISION