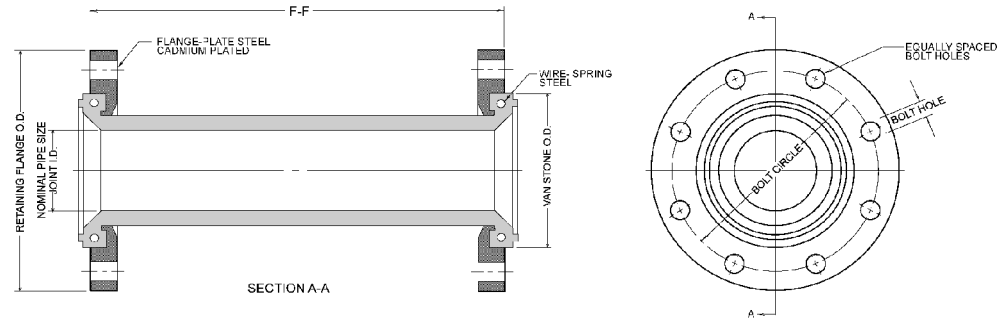


REV.	DESCRIPTION	DATE	BY



NOMINAL SIZE	MINIMUM F-F	FLANGE THICKNESS	STYLE 3000				STYLE 3250				ALLOWABLE MOVEMENTS FROM NEUTRAL LENGTH			
			FLANGE DIAMETER	BOLT CIRCLE DIAMETER	BOLT HOLES		FLANGE DIAMETER	BOLT CIRCLE DIAMETER	BOLT HOLES		AXIAL COMPRESSION	AXIAL EXTENSION	+/- LATERAL DEFLECTION	+/- ANGULAR DEFLECTION
					QUANTITY	DIAMETER			QUANTITY	DIAMETER				
1	12	0.59	4.25	3.12	4	0.63	4.88	3.50	4	0.75	0.15	0.15	0.15	17°
1-1/4	12	0.59	4.62	3.50	4	0.63	5.25	3.88	4	0.75	0.15	0.15	0.15	14°
1-1/2	12	0.59	5.00	3.88	4	0.63	6.12	4.50	4	0.88	0.15	0.15	0.15	11°
2	12	0.59	6.00	4.75	4	0.75	6.50	5.00	8	0.75	0.15	0.15	0.15	9°
2-1/2	12	0.59	7.00	5.50	4	0.75	7.50	5.88	8	0.88	0.15	0.15	0.15	7°
3	18	0.59	7.50	6.00	4	0.75	8.25	6.63	8	0.88	0.23	0.23	0.23	5°
4	18	0.59	9.00	7.50	8	0.75	10.00	7.88	8	0.88	0.23	0.23	0.23	7°
5	24	0.59	10.00	8.50	8	0.88	11.00	9.25	8	0.88	0.31	0.31	0.31	7°
6	24	0.59	11.00	9.50	8	0.88	12.50	10.63	12	0.88	0.31	0.31	0.31	6°
8	24	0.59	13.50	11.75	8	0.88	15.00	13.00	12	1.00	0.24	0.24	0.24	3°
10	24	0.79	16.00	14.25	12	1.00	17.50	15.25	16	1.13	0.24	0.24	0.24	3°
12	24	0.79	19.00	17.00	12	1.00	20.50	17.75	16	1.25	0.24	0.24	0.24	2°

**NOTES:**

- 1) ALL DIMENSIONS IN INCHES.
- 2) 150 P3/G MAXIMUM POSITIVE PRESSURE RATING BASED ON 170 °F OPERATING TEMPERATURE, VACUUM RATING 26" HG.
- 3) MAXIMUM OPERATING TEMPERATURE 225 °F.
- 4) STYLE 3000 FLANGES DRILLED TO MATE WITH 125/150# ASA COMPANION FLANGE. STYLE 3250 FLANGE DRILLED TO MATE WITH 250/300# ASA COMPANION FLANGE.
- 5) CONTROL UNITS ARE REQUIRED WHERE ALLOWABLE MOVEMENTS WILL BE EXCEEDED.
- 6) FLANGES WILL BE FURNISHED WITH DRILLED HOLES AS STANDARD. TAPPED HOLES AVAILABLE AS SPECIAL ORDER.
- 7) STANDARD NEOPRENE TUBE AND COVER. OTHER MATERIALS AVAILABLE.
- 8) OTHER SIZES, TEMPERATURES, PRESSURES, AND LENGTHS AVAILABLE.

WARNING: EXPANSION JOINTS MAY OPERATE IN PIPELINES OR EQUIPMENT CARRYING FLUIDS AND/OR GASES AT ELEVATED TEMPERATURES AND PRESSURES. NORMAL PRECAUTIONS SHOULD BE TAKEN TO MAKE SURE THESE PARTS ARE INSTALLED CORRECTLY AND INSPECTED REGULARLY. PRECAUTIONS SHOULD BE TAKEN TO PROTECT PERSONNEL IN THE EVENT OF LEAKAGE OR SPLASH.

OTHER MATERIALS, COMPOUNDS, OR FINISHES WITH EQUAL OR SUPERIOR PROPERTIES MAY BE SUBSTITUTED AS THEY BECOME AVAILABLE.

**CERTIFIED FOR:**

JOB NAME: \_\_\_\_\_  
 CUSTOMER : \_\_\_\_\_  
 CUSTOMER P.O.: \_\_\_\_\_  
 SALES ORDER: \_\_\_\_\_

**MODEL 3000 AND 3250  
 RUBBER VIBRATION JOINT STYLE  
 3000 & 3250  
 SINGLE SPHERE**



**THE VMC GROUP**  
*The Power of Together*  
 Bloomingdale, NJ 07403  
 Houston, TX 77041

SCALE :

NONE

SHEET:



DRAWING NO.:

REVISION