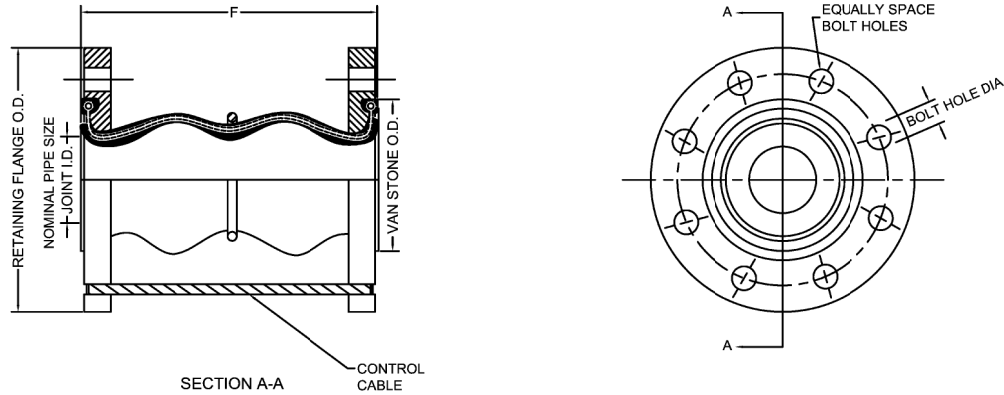


REV.	DESCRIPTION	DATE	BY



NOMINAL PIPE SIZE	F - INSTALLED LENGTH	ALLOWABLE MOVEMENTS FROM NEUTRAL LENGTH				PRESSURE		FLANGE/BOLTING DIMENSIONS				
	NEUTRAL LENGTH	AXIAL COMPRESSION	AXIAL EXTENSION	±LATERAL DEFLECTION	ANGULAR DEFLECTION	POSITIVE PSIG	NEGATIVE IN. OF HG	FLANGE THICKNESS	FLANGE O.D.	BOLT CIRCLE	HOLE QTY.	HOLE SIZE
2	7.00	1.00	0.188	1.00	30°	225	16.0	0.63	6.00	4.75	4	0.750
2-1/2	7.00	1.00	0.188	1.00	30°	225	16.0	0.71	7.00	5.50	4	0.750
3	7.00	1.00	0.188	1.00	30°	225	16.0	0.71	7.50	6.00	4	0.750
4	9.00	1.25	0.250	1.50	30°	225	16.0	0.71	9.00	7.50	8	0.750
5	9.00	1.25	0.250	1.50	30°	225	16.0	0.79	10.00	8.50	8	0.875
6	9.00	1.25	0.250	1.50	30°	225	16.0	0.87	11.00	9.50	8	0.875
8	13.00	1.50	0.250	1.38	30°	225	16.0	0.87	13.50	11.75	8	0.875
10	13.00	1.50	0.250	1.38	30°	225	16.0	0.95	16.00	14.25	12	1.000
12	13.00	1.50	0.250	1.38	30°	225	16.0	0.95	19.00	17.00	12	1.000

- NOTES:
- 1) ALL DIMENSIONS IN INCHES
 - 2) PRESSURE RATING BASED ON 170° F OPERATING TEMPERATURE WITH BURST PRESSURE APPROXIMATELY 4 TIMES OPERATING PRESSURE.
 - 3) MAXIMUM OPERATING TEMPERATURE 220° F.
 - 4) FLOATING STEEL FLANGES DRILLED TO MATE WITH 150# ASA COMPANION FLANGES.
 - 5) THIS FLEXIBLE JOINT SHOULD BE INSTALLED THE LENGTH SHOWN ON THIS DRAWING. NOT INTENDED FOR TORSION. CABLES REQUIRE NO ADJUSTMENT AND SHOULD NOT BE REMOVED.
 - 6) FLANGES WILL BE FURNISHED WITH DRILLED HOLES AS STANDARD. TAPPED HOLES AVAILABLE SPECIAL ORDER.
 - 7) EPDM TUBE AND COVER.
 - 8) COMPOUNDS OR FINISHES WITH EQUAL OR SUPERIOR PROPERTIES MAY BE SUBSTITUTED AS THEY BECOME AVAILABLE.
 - 9) MANUFACTURED TO MEET OR EXCEED FLUID SEALING ASSOCIATION, RUBBER EXPANSION JOINT DIVISION, APPENDIX E STANDARDS.

WARNING: EXPANSION JOINTS MAY OPERATE IN PIPELINES OR EQUIPMENT CARRYING FLUIDS AND/OR GASES AT ELEVATED TEMPERATURES AND PRESSURES. NORMAL PRECAUTIONS SHOULD BE TAKEN TO MAKE SURE THESE PARTS ARE INSTALLED CORRECTLY AND INSPECTED REGULARLY. PRECAUTIONS SHOULD BE TAKEN TO PROTECT PERSONNEL IN THE EVENT OF LEAKAGE OR SPLASH.

OTHER MATERIALS, COMPOUNDS OR FINISHES WITH EQUAL OR SUPERIOR PROPERTIES MAY BE SUBSTITUTED AS THEY BECOME AVAILABLE.

CERTIFIED FOR:

JOB NAME: _____
 CUSTOMER : _____
 CUSTOMER P.O.: _____
 SALES ORDER: _____

**MODEL 2600 EAC RUBBER
 EXPANSION JOINT DOUBLE SPHERE**



THE VMC GROUP
The Power of Together
 Bloomingdale, NJ 07403
 Houston, TX 77041

SCALE :
 NONE

SHEET:



DRAWING NO.:

REVISION