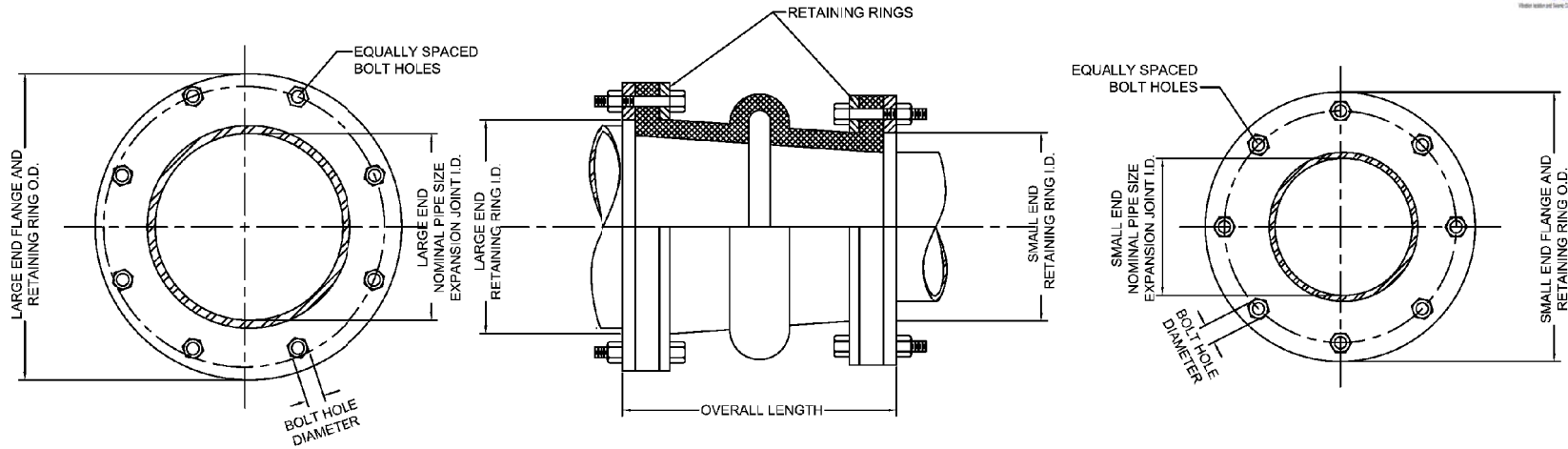


REV.	DESCRIPTION	DATE	BY



LARGE END I.D.	SMALL END I.D.	OVERALL LENGTH	AXIAL COMPRESSION	AXIAL EXTENSION	LATERAL DEFLECTION	ANGULAR DEGREES	WORKING PRESSURE
3	2	8	1/2	1/4	1/2	11.3	200
3	2-1/2	8	1/2	1/4	1/2	10.3	200
4	2	8	1/2	1/4	1/2	9.5	200
4	3	8	1/2	1/4	1/2	8.1	200
6	4	8	1/2	1/4	1/2	5.7	200
8	4	8	3/4	3/8	1/2	7.1	200
8	6	8	3/4	3/8	1/2	6.1	200
10	8	8	3/4	3/8	1/2	4.8	200

TEMPERATURE °F	PRESSURE DERATING FACTOR
170	1.00
180	0.93
190	0.86
200	0.80
210	0.73
220	0.67
225	0.67

- NOTES: 1) ALL DIMENSIONS IN INCHES. PRESSURE IS IN PSI.
 2) PRESSURE RATING BASED ON 170 °F OPERATING TEMPERATURE WITH BURST PRESSURE APPROXIMATELY 4 TIMES OPERATING PRESSURE.
 3) MAXIMUM NEGATIVE PRESSURE 26" HG VACUUM.
 4) MAXIMUM OPERATING TEMPERATURE 225 °F.
 5) FLOATING STEEL FLANGES DRILLED TO MATE WITH 150# ASA COMPANION FLANGES.
 6) FLANGES WILL BE FURNISHED WITH DRILLED HOLES AS STANDARD.
 7) CONTROL UNITS ARE REQUIRED WHERE ALLOWABLE MOVEMENTS WILL BE EXCEEDED. UNANCHORED PIPING MUST BE RESTRAINED IN A MANNER TO PREVENT MOVEMENT IN EXCESS OF ALLOWABLE LEVELS.
 8) STANDARD NEOPRENE. OTHER MATERIALS ARE AVAILABLE.
 9) COMPOUNDS OR FINISHES WITH EQUAL OR SUPERIOR PROPERTIES MAY BE SUBSTITUTED AS THEY BECOME AVAILABLE.
 10) ANGULAR MOVEMENT IS FROM A NEUTRAL POSITION AND CAN INCREASE IN CONJUNCTION WITH COMPRESSION.
 11) REFER TO DRAWINGS II-5210 AND II-5212 FOR INSTALLATION INSTRUCTIONS.

WARNING: EXPANSION JOINTS MAY OPERATE IN PIPELINES OR EQUIPMENT CARRYING FLUIDS AND/OR GASES AT ELEVATED TEMPERATURES AND PRESSURES. NORMAL PRECAUTIONS SHOULD BE TAKEN TO MAKE SURE THESE PARTS ARE INSTALLED CORRECTLY AND INSPECTED REGULARLY. PRECAUTIONS SHOULD BE TAKEN TO PROTECT PERSONNEL IN THE EVENT OF LEAKAGE OR SPLASH.

OTHER MATERIALS, COMPOUNDS OR FINISHES WITH EQUAL OR SUPERIOR PROPERTIES MAY BE SUBSTITUTED AS THEY BECOME AVAILABLE.

CERTIFIED FOR:

JOB NAME: _____
 CUSTOMER : _____
 CUSTOMER P.O.: _____
 SALES ORDER: _____

MODEL 2300 REDUCING RUBBER EXPANSION JOINT SINGLE SPHERE



THE VMC GROUP
The Power of Together
 Bloomingdale, NJ 07403
 Houston, TX 77041

SCALE :
 NONE

SHEET:

DRAWING NO.:

REVISION

