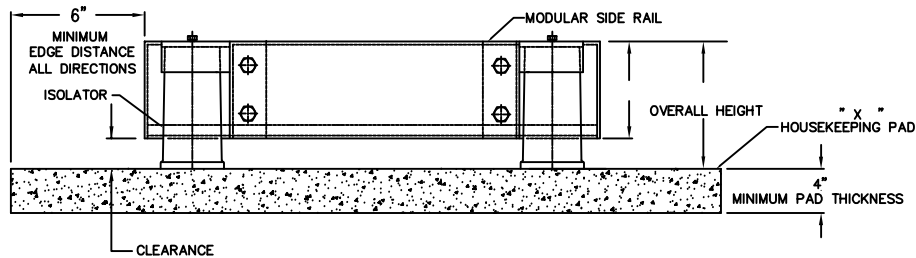
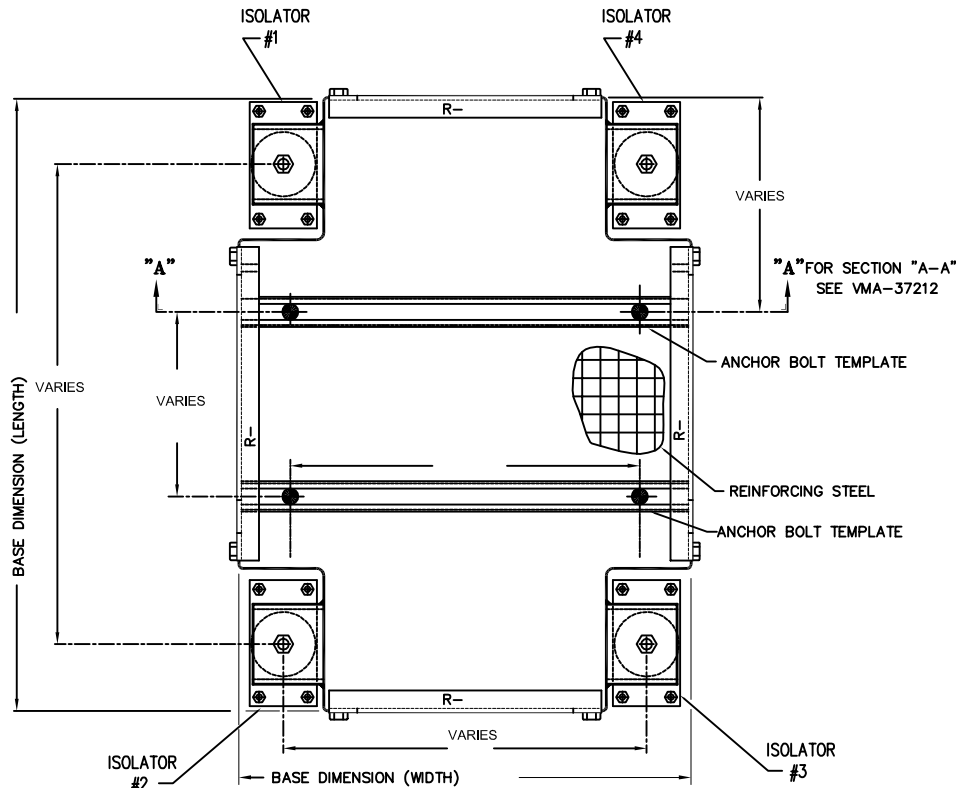


REV.	DESCRIPTION	DATE	BY



NOTES:

1. RATED DEFLECTIONS ARE WITHIN 25% OF NOMINAL. HIGHER DEFLECTIONS ARE ALLOWED IF THEY MEET SPECIFICATIONS.

ISOLATORS				
LOCATION	ISOLATOR TYPE	COLOR CODE	RATED LOAD (lbs.)	RATED DEFL (in.)
1				
2				
3				
4				
EQUIPMENT / MODEL:				
CUST REF DWG:				
MOTOR				
FRAME SIZE:	HP	RPM	WT.	
PUMP				
SUCTION	DISCHARGE		WT.	
CONCRETE			WT.	
TOTAL ISOLATED			WT.	
TOTAL ESTIMATED SHIPPING WEIGHT:				

TAG No. _____

QTY. REQ'D. _____

OTHER MATERIALS, COMPOUNDS, OR FINISHES WITH EQUAL OR SUPERIOR PROPERTIES MAY BE SUBSTITUTED AS THEY BECOME AVAILABLE.

CERTIFIED FOR:

JOB NAME: _____
 CUSTOMER : _____
 CUSTOMER P.O.: _____
 SALES ORDER: _____

**MPF 6 INCH NON-SEISMIC MODULAR
 POURING FORM INERTIA BASE
 2 INCH DEFLECTION**



THE VMC GROUP
The Power of Together
 Bloomingdale, NJ 07403
 Houston, TX 77041

SCALE:

NONE

SHEET:



DRAWING NO.:

REVISION