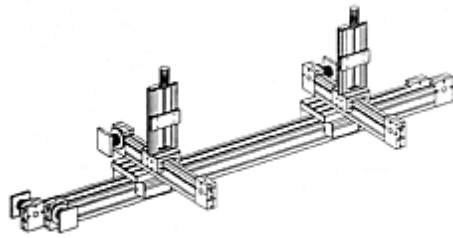


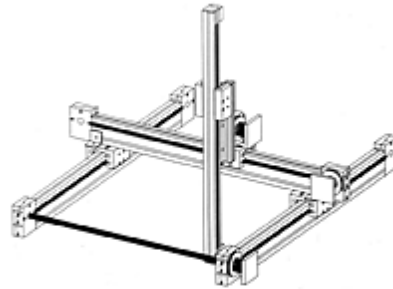
High Speed Linear Actuators That Go The Distance



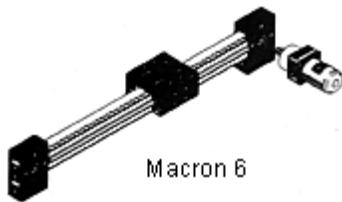
- Speeds up to 600 in./sec.
- Loads up to 10,000 lbs.
- Accelerations up to 9G's
- Travels up to 500 feet
- +/- .003 Accuracy
- Zero Backlash
- Very Low Maintenance
- Engineering Design to Your Specifications



6 AXIS X-Y-Z System



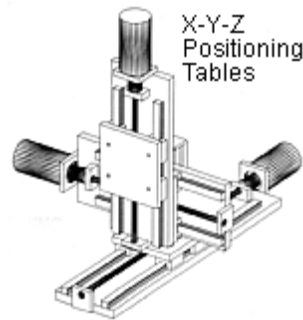
X-Y-Z Gantry



Macron 6



Freight Elevator and Guard



X-Y-Z
Positioning
Tables



Dumbwaiter