

KBF TYPE

– Round Flange Type –

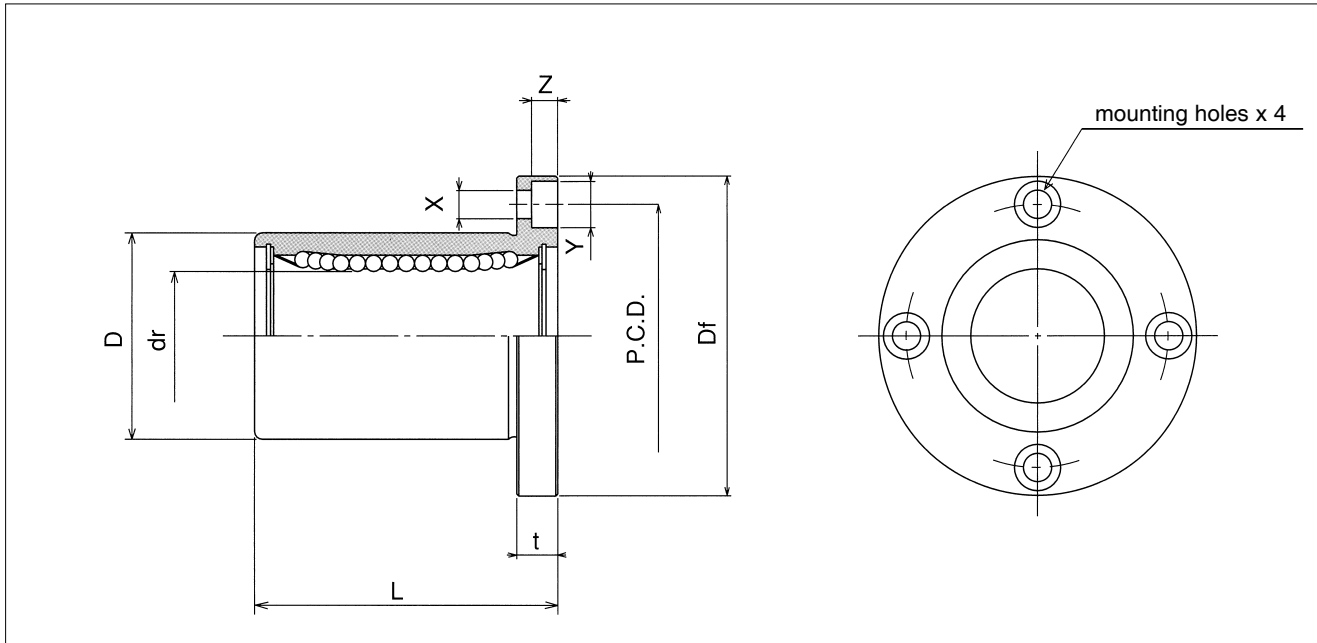
This type is a metric dimension series generally used in Europe.



part number structure											
example	KBSF 25 G UU - SK										
specification	<table border="1"> <tr> <td>KBF</td> <td>standard</td> </tr> <tr> <td>KBSF</td> <td>anticorrosion</td> </tr> </table>	KBF	standard	KBSF	anticorrosion						
KBF	standard										
KBSF	anticorrosion										
inner contact diameter											
retainer material	<table border="1"> <tr> <td>blank</td> <td>steel</td> </tr> <tr> <td>G</td> <td>resin</td> </tr> </table>	blank	steel	G	resin						
blank	steel										
G	resin										
outer cylinder surface treatment	<table border="1"> <tr> <td>blank</td> <td>no surface treatment</td> </tr> <tr> <td>SK</td> <td>electroless nickel plating</td> </tr> <tr> <td>RD</td> <td>Raydent treatment</td> </tr> <tr> <td>SB</td> <td>black oxide*</td> </tr> <tr> <td>SC</td> <td>industrial chrome plating</td> </tr> </table>	blank	no surface treatment	SK	electroless nickel plating	RD	Raydent treatment	SB	black oxide*	SC	industrial chrome plating
blank	no surface treatment										
SK	electroless nickel plating										
RD	Raydent treatment										
SB	black oxide*										
SC	industrial chrome plating										
seal	<table border="1"> <tr> <td>blank</td> <td>without seal</td> </tr> <tr> <td>UU</td> <td>seals on both sides</td> </tr> </table>	blank	without seal	UU	seals on both sides						
blank	without seal										
UU	seals on both sides										

*not available in KBSF type

part number				dr	tolerance μm	D		L ± 0.3 mm
standard		anticorrosion				mm	tolerance μm	
steel retainer	resin retainer	stainless retainer	resin retainer	mm	μm	mm	μm	mm
–	KBF 5G	–	KBSF 5G	5	+ 8	12	0	22
KBF 8	KBF 8G	KBSF 8	KBSF 8G	8	0	16	-13	25
KBF12	KBF12G	KBSF12	KBSF12G	12	0	22	0	32
KBF16	KBF16G	KBSF16	KBSF16G	16	+ 9	26	-16	36
KBF20	KBF20G	KBSF20	KBSF20G	20	- 1	32	0	45
KBF25	KBF25G	KBSF25	KBSF25G	25	+11	40	-19	58
KBF30	KBF30G	KBSF30	KBSF30G	30	- 1	47	-19	68
KBF40	KBF40G	KBSF40	KBSF40G	40	+13	62	0	80
KBF50	KBF50G	KBSF50	KBSF50G	50	- 2	75	-22	100
KBF60	KBF60G	KBSF60	KBSF60G	60	- 2	90	0	125
KBF80	–	–	–	80	+16/-4	120	-25	165



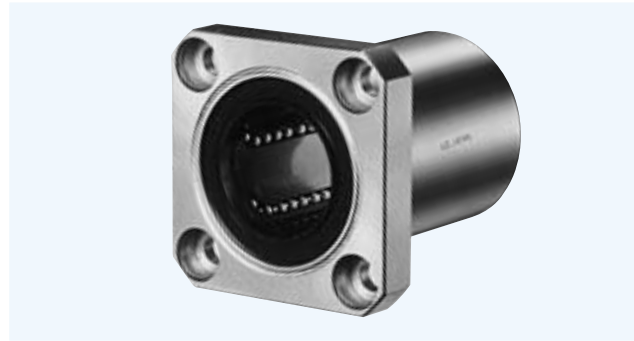
major dimensions				eccentricity	perpen- dicularity	basic load rating		mass	shaft diameter
flange						dynamic	static		
Df	t	P.C.D.	X×Y×Z	μm	μm	C	Co	g	mm
mm	mm	mm	mm			N	N		
28	5	20	3.5×6×3.1	12	12	206	265	26	5
32	5	24	3.5×6×3.1			265	402	41	8
42	6	32	4.5×7.5×4.1			510	784	80	12
46	6	36	4.5×7.5×4.1			578	892	103	16
54	8	43	5.5×9×5.1	15	15	862	1,370	182	20
62	8	51	5.5×9×5.1			980	1,570	335	25
76	10	62	6.6×11×6.1			1,570	2,740	560	30
98	13	80	9×14×8.1	17	17	2,160	4,020	1,175	40
112	13	94	9×14×8.1			3,820	7,940	1,745	50
134	18	112	11×17×11.1	20	20	4,700	9,800	3,220	60
164	18	142	11×17×11.1			7,350	16,000	6,420	80

1N≐0.102kgf

KBK TYPE

— Square Flange Type —

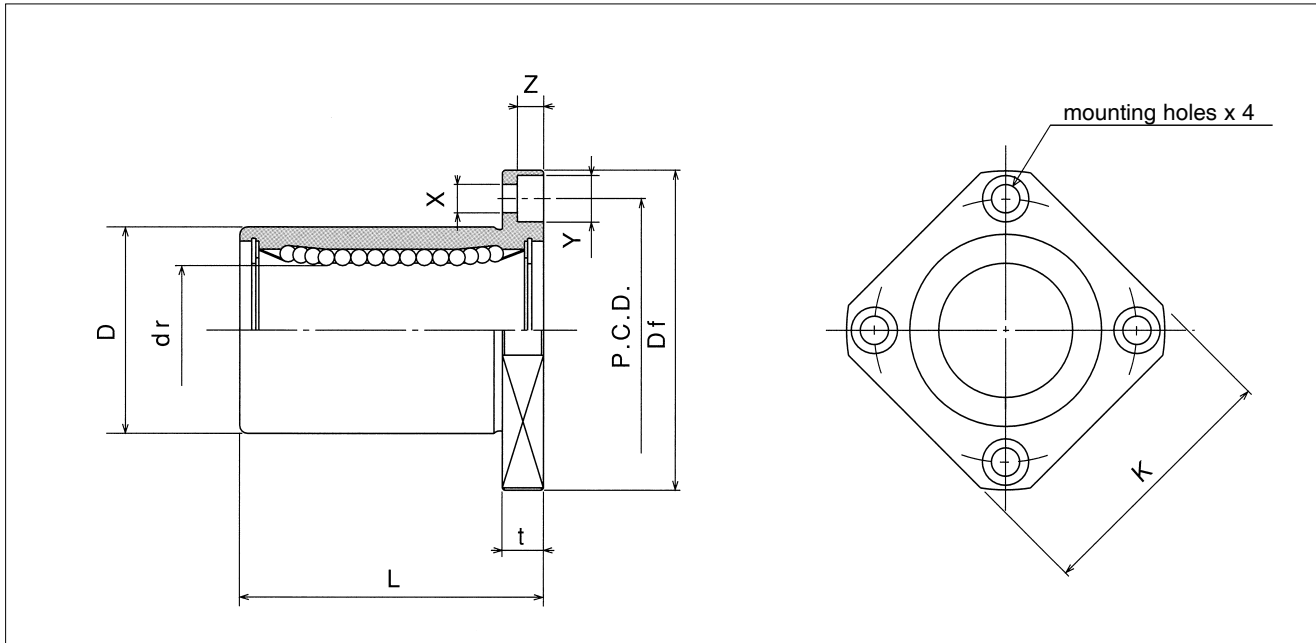
This type is a metric dimension series generally used in Europe.



part number structure											
example	KBSK 25 G UU - SK										
specification	<table border="1"> <tr> <td>KBK</td> <td>standard</td> </tr> <tr> <td>KBSK</td> <td>anticorrosion</td> </tr> </table>	KBK	standard	KBSK	anticorrosion						
KBK	standard										
KBSK	anticorrosion										
inner contact diameter	25										
retainer material	<table border="1"> <tr> <td>blank</td> <td>steel</td> </tr> <tr> <td>G</td> <td>resin</td> </tr> </table>	blank	steel	G	resin						
blank	steel										
G	resin										
outer cylinder surface treatment	<table border="1"> <tr> <td>blank</td> <td>no surface treatment</td> </tr> <tr> <td>SK</td> <td>electroless nickel plating</td> </tr> <tr> <td>RD</td> <td>Raydent treatment</td> </tr> <tr> <td>SB</td> <td>black oxide*</td> </tr> <tr> <td>SC</td> <td>industrial chrome plating</td> </tr> </table>	blank	no surface treatment	SK	electroless nickel plating	RD	Raydent treatment	SB	black oxide*	SC	industrial chrome plating
blank	no surface treatment										
SK	electroless nickel plating										
RD	Raydent treatment										
SB	black oxide*										
SC	industrial chrome plating										
seal	<table border="1"> <tr> <td>blank</td> <td>without seal</td> </tr> <tr> <td>UU</td> <td>seals on both sides</td> </tr> </table>	blank	without seal	UU	seals on both sides						
blank	without seal										
UU	seals on both sides										

*not available in KBSK type

part number				dr	D	L		
standard		anticorrosion						
steel retainer	resin retainer	stainless retainer	resin retainer	mm	tolerance μm	mm	tolerance μm	±0.3 mm
—	KBK 5G	—	KBSK 5G	5	+ 8	12	0	22
KBK 8	KBK 8G	KBSK 8	KBSK 8G	8	0	16	-13	25
KBK12	KBK12G	KBSK12	KBSK12G	12	0	22	0	32
KBK16	KBK16G	KBSK16	KBSK16G	16	+ 9	26	-16	36
KBK20	KBK20G	KBSK20	KBSK20G	20	- 1	32	0	45
KBK25	KBK25G	KBSK25	KBSK25G	25	+11	40	-19	58
KBK30	KBK30G	KBSK30	KBSK30G	30	- 1	47	0	68
KBK40	KBK40G	KBSK40	KBSK40G	40	+13	62	0	80
KBK50	KBK50G	KBSK50	KBSK50G	50	- 2	75	-22	100
KBK60	KBK60G	KBSK60	KBSK60G	60	0	90	0	125
KBK80	—	—	—	80	+16/-4	120	-25	165



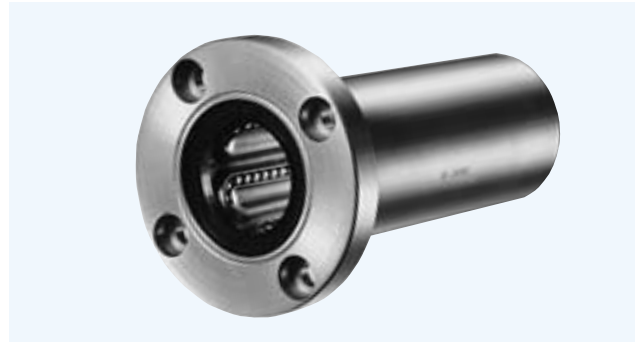
major dimensions					eccentricity	perpen- dicularity	basic load rating		mass	shaft diameter
flange							dynamic	static		
Df	K	t	P.C.D.	X×Y×Z	μm	μm	C	Co	g	mm
mm	mm	mm	mm	mm			N	N		
28	22	5	20	3.5×6×3.1	12	12	206	265	20	5
32	25	5	24	3.5×6×3.1			265	402	33	8
42	32	6	32	4.5×7.5×4.1			510	784	64	12
46	35	6	36	4.5×7.5×4.1			578	892	90	16
54	42	8	43	5.5×9×5.1	15	15	862	1,370	147	20
62	50	8	51	5.5×9×5.1			980	1,570	295	25
76	60	10	62	6.6×11×6.1			1,570	2,740	465	30
98	75	13	80	9×14×8.1	17	17	2,160	4,020	975	40
112	88	13	94	9×14×8.1			3,820	7,940	1,545	50
134	106	18	112	11×17×11.1	20	20	4,700	9,800	2,780	60
164	136	18	142	11×17×11.1			7,350	16,000	5,920	80

1N≐0.102kgf

KBF-W TYPE

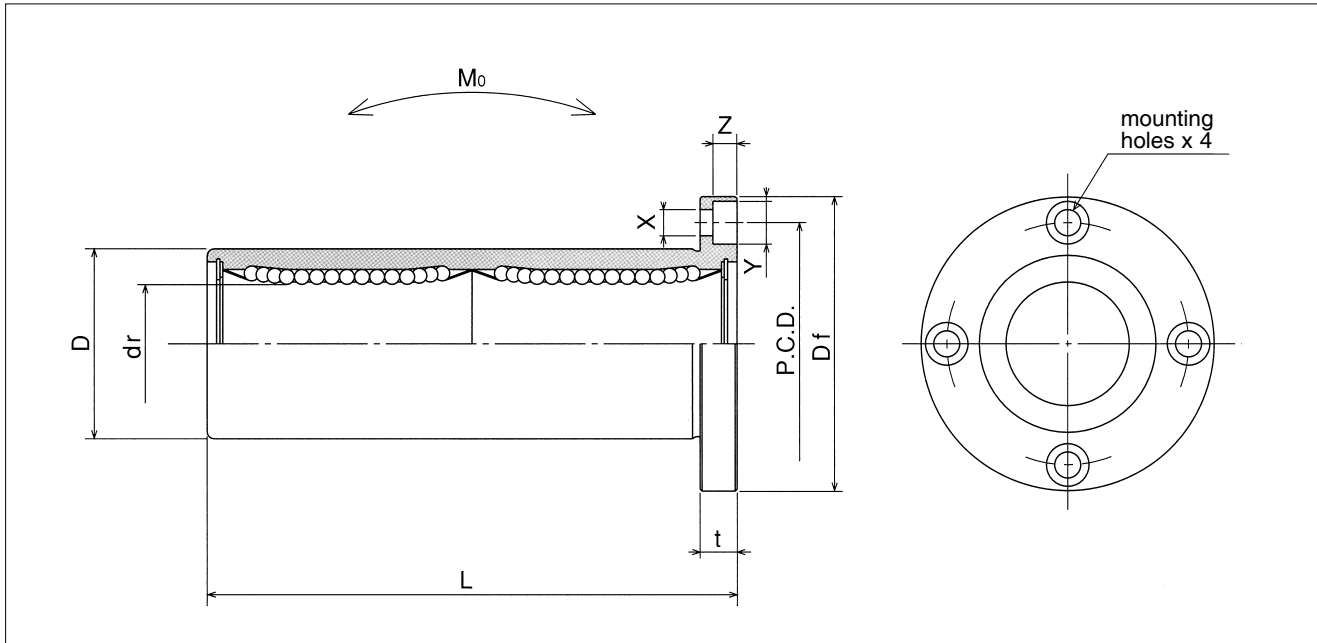
— Round Flange Double-Wide Type —

This type is a metric dimension series generally used in Europe.



part number structure	
example KBSF 25 G W UU - SK	
specification	outer cylinder surface treatment
KBF standard	blank no surface treatment
KBSF anticorrosion	SK electroless nickel plating
	RD Raydent treatment
inner contact diameter	SB black oxide*
	SC industrial chrome plating
retainer material	*not available in KBSF type
blank steel	seal
G resin	blank without seal
	UU seals on both sides

part number				dr		D		L
standard		anticorrosion		mm	tolerance μm	mm	tolerance μm	±0.3 mm
steel retainer	resin retainer	stainless retainer	resin retainer					
KBF 8W	KBF 8GW	KBSF 8W	KBSF 8GW	8	+ 9	16	0/- 13	46
KBF12W	KBF12GW	KBSF12W	KBSF12GW	12	- 1	22	0	61
KBF16W	KBF16GW	KBSF16W	KBSF16GW	16	+11	26	-16	68
KBF20W	KBF20GW	KBSF20W	KBSF20GW	20	- 1	32	0	80
KBF25W	KBF25GW	KBSF25W	KBSF25GW	25	+13	40	-19	112
KBF30W	KBF30GW	KBSF30W	KBSF30GW	30	- 2	47		123
KBF40W	KBF40GW	KBSF40W	KBSF40GW	40	+16	62	0	151
KBF50W	KBF50GW	KBSF50W	KBSF50GW	50	- 4	75	-22	192
KBF60W	KBF60GW	KBSF60W	KBSF60GW	60		90	0/-25	209



major dimensions				eccentricity	perpen- dicularity	basic load rating		allowable static moment Mo N · m	mass g	shaft diameter mm
flange						dynamic	static			
Df mm	t mm	P.C.D. mm	X×Y×Z mm	μm	μm	C N	Co N			
32	5	24	3.5×6×3.1	15	15	421	804	4.3	59	8
42	6	32	4.5×7.5×4.1			813	1,570	11.7	110	12
46	6	36	4.5×7.5×4.1			921	1,780	14.2	160	16
54	8	43	5.5×9×5.1	17	17	1,370	2,740	25.0	260	20
62	8	51	5.5×9×5.1			1,570	3,140	44.0	540	25
76	10	62	6.6×11×6.1			2,500	5,490	78.9	815	30
98	13	80	9×14×8.1	20	20	3,430	8,040	147	1,805	40
112	13	94	9×14×8.1			6,080	15,900	396	2,820	50
134	18	112	11×17×11.1			7,550	20,000	487	4,920	60

1N≐0.102kgf 1N·m≐0.102kgf·m

KBK-W TYPE

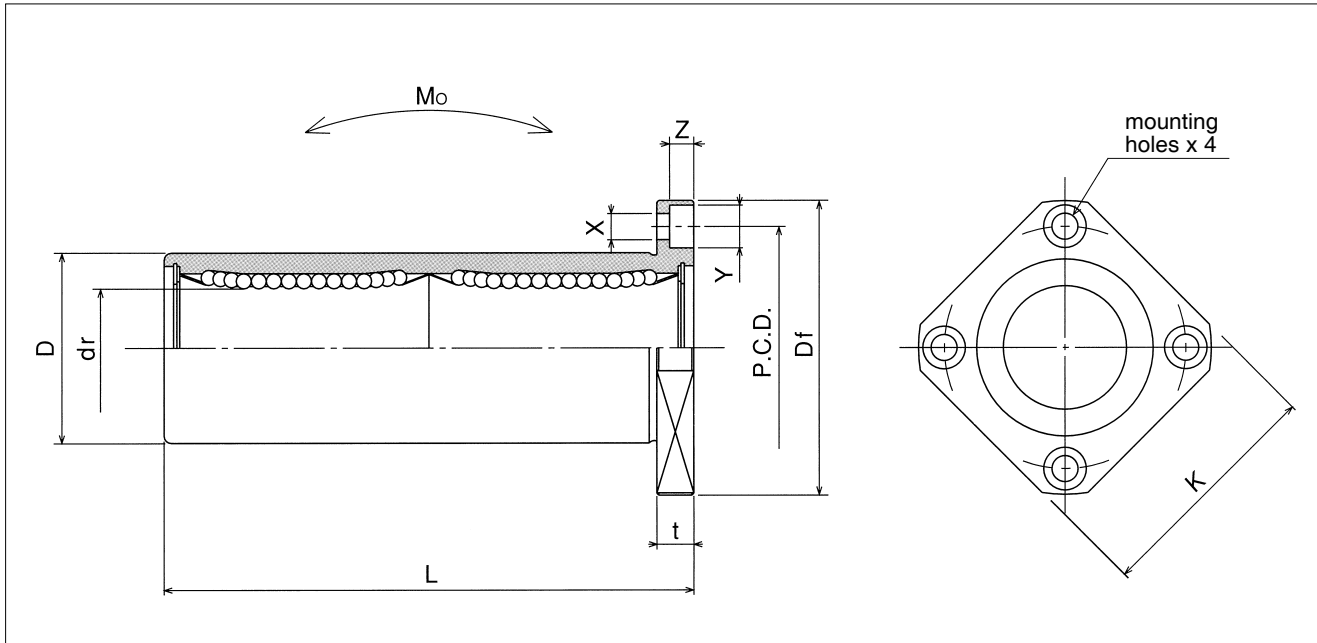
— Square Flange Double-Wide Type —

This type is a metric dimension series generally used in Europe.



part number structure	
example	KBSK 25 G W UU - SK
specification	outer cylinder surface treatment
KBK standard	blank no surface treatment
KBSK anticorrosion	SK electroless nickel plating
	RD Raydent treatment
	SB black oxide*
	SC industrial chrome plating
inner contact diameter	*not available in KBSK type
retainer material	seal
blank steel	blank without seal
G resin	UU seals on both sides

part number									
standard		anticorrosion		dr		D		L	Df
steel retainer	resin retainer	stainless retainer	resin retainer	mm	tolerance μm	mm	tolerance μm	±0.3 mm	mm
KBK 8W	KBK 8GW	KBSK 8W	KBSK 8GW	8	+ 9	16	0/-13	46	32
KBK12W	KBK12GW	KBSK12W	KBSK12GW	12	- 1	22	0	61	42
KBK16W	KBK16GW	KBSK16W	KBSK16GW	16	+11	26	-16	68	46
KBK20W	KBK20GW	KBSK20W	KBSK20GW	20	- 1	32	0	80	54
KBK25W	KBK25GW	KBSK25W	KBSK25GW	25	+13	40	-19	112	62
KBK30W	KBK30GW	KBSK30W	KBSK30GW	30	- 2	47	-19	123	76
KBK40W	KBK40GW	KBSK40W	KBSK40GW	40	+16	62	0	151	98
KBK50W	KBK50GW	KBSK50W	KBSK50GW	50	- 4	75	-22	192	112
KBK60W	KBK60GW	KBSK60W	KBSK60GW	60	- 4	90	0/-25	209	134



major dimensions				eccentricity	perpen- dicularity	basic load rating		allowable static moment M_o $N \cdot m$	mass g	shaft diameter mm
flange						dynamic	static			
K	t	P.C.D.	X×Y×Z	μm	μm	C	Co			
mm	mm	mm	mm			N	N			
25	5	24	3.5×6×3.1	15	15	421	804	4.3	51	8
32	6	32	4.5×7.5×4.1			813	1,570	11.7	90	12
35	6	36	4.5×7.5×4.1			921	1,780	14.2	135	16
42	8	43	5.5×9×5.1	17	17	1,370	2,740	25.0	225	20
50	8	51	5.5×9×5.1			1,570	3,140	44.0	500	25
60	10	62	6.6×11×6.1			2,500	5,490	78.9	720	30
75	13	80	9×14×8.1	20	20	3,430	8,040	147	1,600	40
88	13	94	9×14×8.1			6,080	15,900	396	2,620	50
106	18	112	11×17×11.1			7,550	20,000	487	4,480	60

1N≐0.102kgf 1N·m≐0.102kgf·m

KBFC TYPE

– Center Mount Round Flange Type –

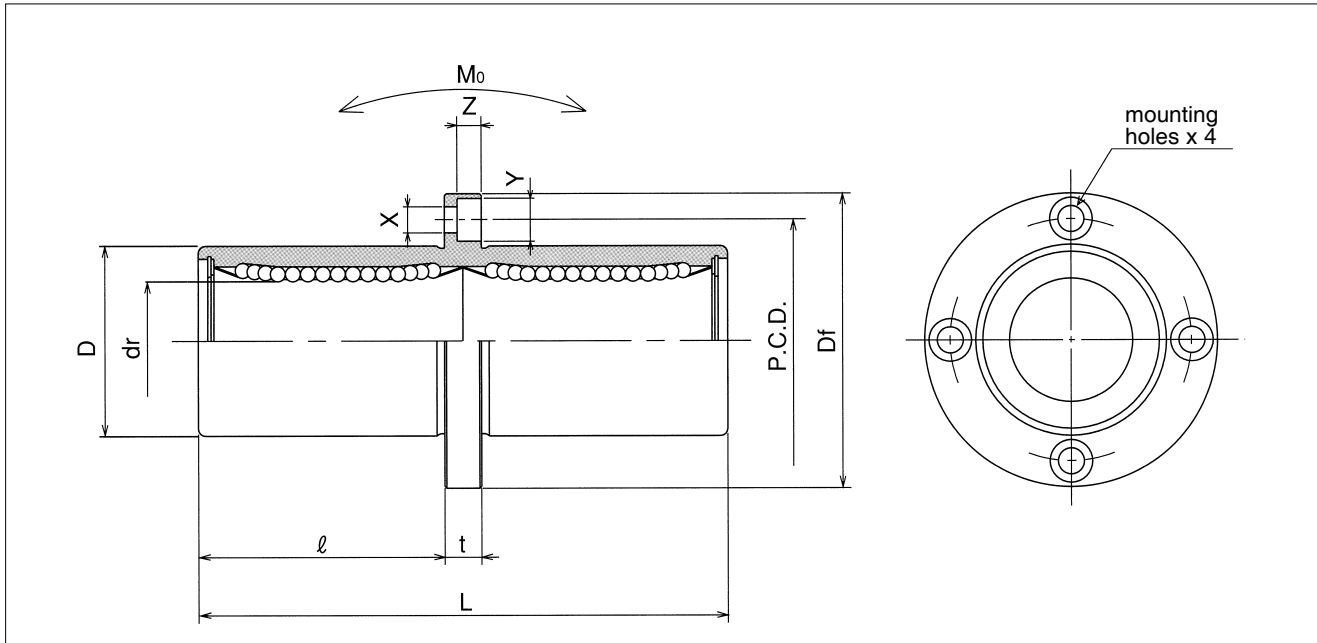
This type is a metric dimension series generally used in Europe.



part number structure											
example	KBSFC 25 G UU - SK										
specification	<table border="1"> <tr> <td>KBFC</td> <td>standard</td> </tr> <tr> <td>KBSFC</td> <td>anticorrosion</td> </tr> </table>	KBFC	standard	KBSFC	anticorrosion						
KBFC	standard										
KBSFC	anticorrosion										
inner contact diameter											
retainer material	<table border="1"> <tr> <td>blank</td> <td>steel</td> </tr> <tr> <td>G</td> <td>resin</td> </tr> </table>	blank	steel	G	resin						
blank	steel										
G	resin										
outer cylinder surface treatment	<table border="1"> <tr> <td>blank</td> <td>no surface treatment</td> </tr> <tr> <td>SK</td> <td>electroless nickel plating</td> </tr> <tr> <td>RD</td> <td>Raydent treatment</td> </tr> <tr> <td>SB</td> <td>black oxide*</td> </tr> <tr> <td>SC</td> <td>industrial chrome plating</td> </tr> </table>	blank	no surface treatment	SK	electroless nickel plating	RD	Raydent treatment	SB	black oxide*	SC	industrial chrome plating
blank	no surface treatment										
SK	electroless nickel plating										
RD	Raydent treatment										
SB	black oxide*										
SC	industrial chrome plating										
seal	<table border="1"> <tr> <td>blank</td> <td>without seal</td> </tr> <tr> <td>UU</td> <td>seals on both sides</td> </tr> </table>	blank	without seal	UU	seals on both sides						
blank	without seal										
UU	seals on both sides										

*not available in KBSFC type

part number									
standard		anticorrosion		dr		D		L	
steel retainer	resin retainer	stainless retainer	resin retainer	mm	tolerance μm	mm	tolerance μm	±0.3 mm	ℓ mm
KBFC 8	KBFC 8G	KBSFC 8	KBSFC 8G	8	+ 9	16	0/-13	46	20.5
KBFC12	KBFC12G	KBSFC12	KBSFC12G	12	- 1	22	0	61	27.5
KBFC16	KBFC16G	KBSFC16	KBSFC16G	16	+11	26	-16	68	31
KBFC20	KBFC20G	KBSFC20	KBSFC20G	20	- 1	32	0	80	36
KBFC25	KBFC25G	KBSFC25	KBSFC25G	25	+13	40	-19	112	52
KBFC30	KBFC30G	KBSFC30	KBSFC30G	30	- 2	47		123	56.5
KBFC40	KBFC40G	KBSFC40	KBSFC40G	40	+16	62	0	151	69
KBFC50	KBFC50G	KBSFC50	KBSFC50G	50	- 4	75	-22	192	89.5
KBFC60	KBFC60G	KBSFC60	KBSFC60G	60		90	0/-25	209	95.5



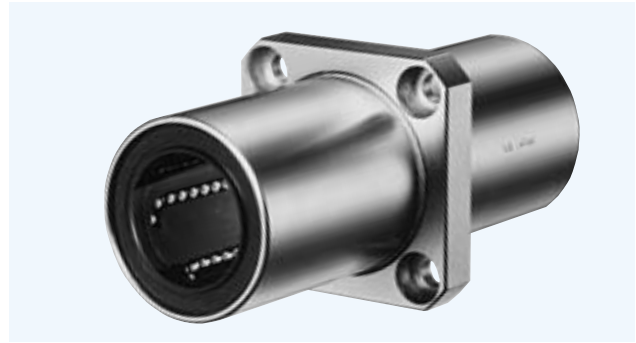
major dimensions				eccentricity	perpen- dicularity	basic load rating		allowable static moment Mo N · m	mass g	shaft diameter mm
flange						dynamic	static			
Df mm	t mm	P.C.D. mm	X×Y×Z mm	μm	μm	C N	Co N			
32	5	24	3.5×6×3.1	15	15	421	804	4.3	59	8
42	6	32	4.5×7.5×4.1			813	1,570	11.7	110	12
46	6	36	4.5×7.5×4.1			921	1,780	14.2	160	16
54	8	43	5.5×9×5.1	17	17	1,370	2,740	25.0	260	20
62	8	51	5.5×9×5.1			1,570	3,140	44.0	540	25
76	10	62	6.6×11×6.1			2,500	5,490	78.9	815	30
98	13	80	9×14×8.1	20	20	3,430	8,040	147	1,805	40
112	13	94	9×14×8.1			6,080	15,900	396	2,820	50
134	18	112	11×17×11.1			7,550	20,000	487	4,920	60

1N≐0.102kgf 1N·m≐0.102kgf·m

KBKC TYPE

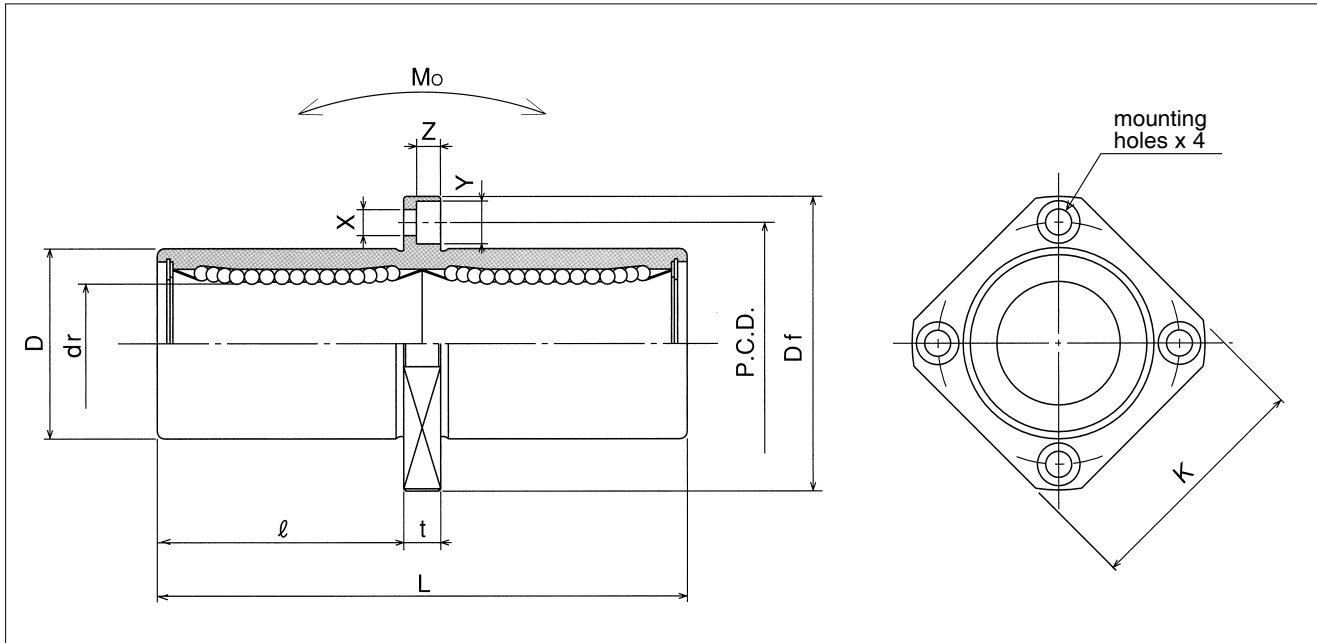
– Center Mount Square Flange Type –

This type is a metric dimension series generally used in Europe.



part number structure											
example	KBSKC 25 G UU -SK										
specification	<table border="1"> <tr> <td>KBKC</td> <td>standard</td> </tr> <tr> <td>KBSKC</td> <td>anticorrosion</td> </tr> </table>	KBKC	standard	KBSKC	anticorrosion						
KBKC	standard										
KBSKC	anticorrosion										
inner contact diameter											
retainer material	<table border="1"> <tr> <td>blank</td> <td>steel</td> </tr> <tr> <td>G</td> <td>resin</td> </tr> </table>	blank	steel	G	resin						
blank	steel										
G	resin										
outer cylinder surface treatment	<table border="1"> <tr> <td>blank</td> <td>no surface treatment</td> </tr> <tr> <td>SK</td> <td>electroless nickel plating</td> </tr> <tr> <td>RD</td> <td>Raydent treatment</td> </tr> <tr> <td>SB</td> <td>black oxide*</td> </tr> <tr> <td>SC</td> <td>industrial chrome plating</td> </tr> </table>	blank	no surface treatment	SK	electroless nickel plating	RD	Raydent treatment	SB	black oxide*	SC	industrial chrome plating
blank	no surface treatment										
SK	electroless nickel plating										
RD	Raydent treatment										
SB	black oxide*										
SC	industrial chrome plating										
*not available in KBSKC type seal											
seal	<table border="1"> <tr> <td>blank</td> <td>without seal</td> </tr> <tr> <td>UU</td> <td>seals on both sides</td> </tr> </table>	blank	without seal	UU	seals on both sides						
blank	without seal										
UU	seals on both sides										

part number				dr		D		L	
standard		anticorrosion		mm	tolerance μm	mm	tolerance μm	±0.3 mm	ℓ mm
steel retainer	resin retainer	stainless retainer	resin retainer						
KBKC 8	KBKC 8G	KBSKC 8	KBSKC 8G	8	+ 9	16	0/-13	46	20.5
KBKC12	KBKC12G	KBSKC12	KBSKC12G	12	- 1	22	0	61	27.5
KBKC16	KBKC16G	KBSKC16	KBSKC16G	16	+11	26	-16	68	31
KBKC20	KBKC20G	KBSKC20	KBSKC20G	20	- 1	32	0	80	36
KBKC25	KBKC25G	KBSKC25	KBSKC25G	25	+13	40	-19	112	52
KBKC30	KBKC30G	KBSKC30	KBSKC30G	30	- 2	47	-19	123	56.5
KBKC40	KBKC40G	KBSKC40	KBSKC40G	40	+16	62	0	151	69
KBKC50	KBKC50G	KBSKC50	KBSKC50G	50	- 4	75	-22	192	89.5
KBKC60	KBKC60G	KBSKC60	KBSKC60G	60	- 4	90	0/-25	209	95.5



major dimensions					eccentricity	perpen- dicularity	basic load rating		allowable static moment Mo	mass	shaft diameter
flange							dynamic	static			
Df	K	t	P.C.D.	X×Y×Z	μm	μm	C	Co	N·m	g	mm
mm	mm	mm	mm	mm			N	N			
32	25	5	24	3.5×6×3.1	15	15	421	804	4.3	51	8
42	32	6	32	4.5×7.5×4.1			813	1,570	11.7	90	12
46	35	6	36	4.5×7.5×4.1			921	1,780	14.2	135	16
54	42	8	43	5.5×9×5.1	17	17	1,370	2,740	25.0	225	20
62	50	8	51	5.5×9×5.1			1,570	3,140	44.0	500	25
76	60	10	62	6.6×11×6.1			2,500	5,490	78.9	720	30
98	75	13	80	9×14×8.1	20	20	3,430	8,040	147	1,600	40
112	88	13	94	9×14×8.1			6,080	15,900	396	2,620	50
134	106	18	112	11×17×11.1			7,550	20,000	487	4,480	60

1N≅0.102kgf 1N·m≅0.102kgf·m