

Lifting column Xtreme

Features:

Xtremely stiff
Short retracted length
Safety factor >4
Limit switches
Safety nut

Options:

Encoder
Pull
Customized

Description:

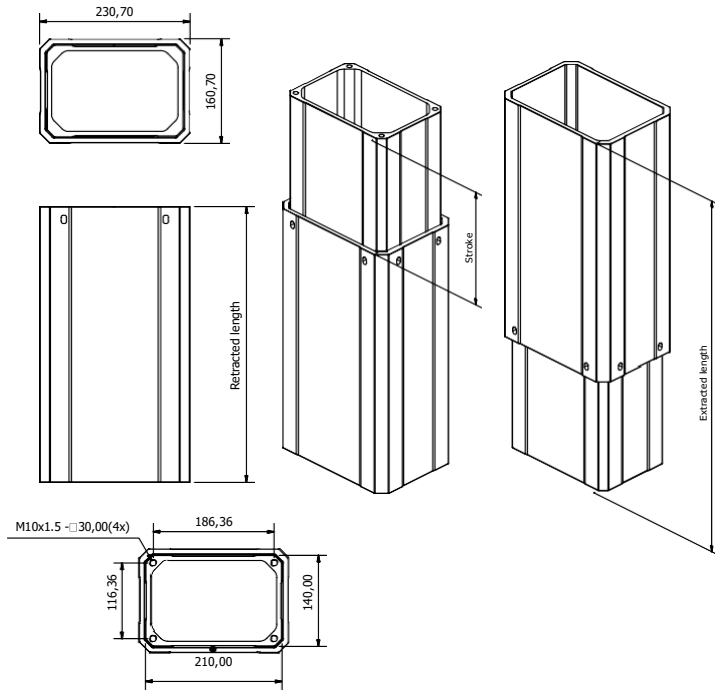
Lifting column Xtreme is designed for medical, ergonomic and industrial application. Xtreme is built on Xtreme stiff aluminium tubes and long life pads, combined with a very tight tolerance assembly – where others squeeze – we fit. The columns perform a Xtreme stable, reliable and maintenance free guiding system without any play. Xtreme is available in push or pull version. As an option you can get Xtreme with encoder for positioning or parallel run of 2 columns. If you don't find a column in above standard range we can customize for you.



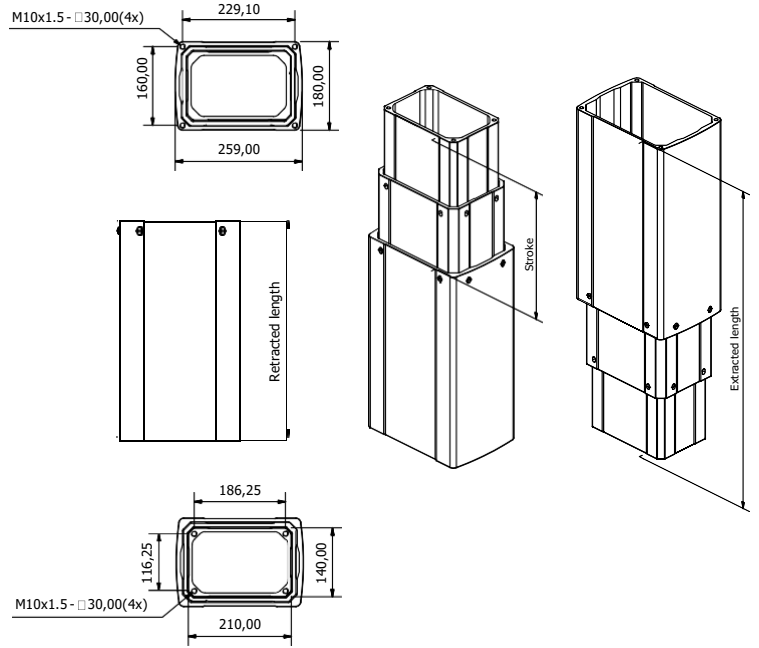
Technical data	SX-XE	SX-XB	SX-XA
Force* (push or pull) max	4000 N	7000 N	10.000 N
Speed, 0-max load; mm/s	21-16	12-8	10-6,5
Stroke	From 200 mm upp to 500 mm		
Retracted length, 2-section	2-sections = stroke + 200 mm		
Retracted length, 3-section	3-sections = stroke + 200 mm		
Voltage	24VDC		
Current, 0 to max load	2-13A depending on load		
Duty cycle, on / off	1 min on / 9 min off		
Ambient temperature	+10 / +40 °C		
Degree of protection	IP30		

* See offset load diagram on next page

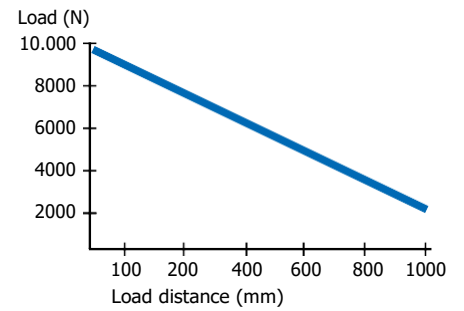
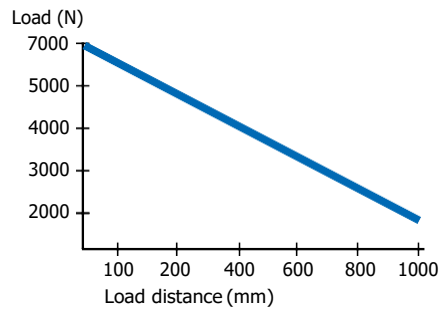
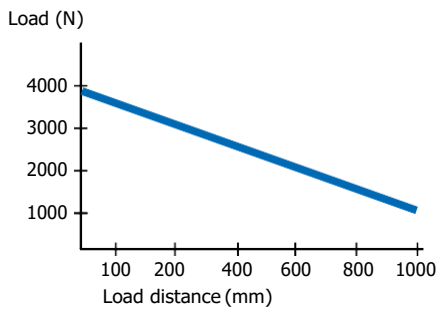
2-sections column



3-sections column



Offset load diagram 2-sections column



Offset load diagram 3-sections column

