

ACTUATOR Type BG15

New line up to BG type Actuator Size 15

The Smallest in BG Series

The BG actuator is an integration of precision ball screw and guide block. BG15 with a height of 15mm further contributes to compact design of machinery.

High Positioning Accuracy

Assured accuracies are as follows.

Positioning repeatability:

±3microns High grade (H)

±1micron Precision grade (P)

Backlash:

5microns High grade (H)

2microns Precision grade (P)

Positioning Pin Hole

As an option, positioning pin holes are provided on the sub-table and guide rail. It is useful to maintain mounting accuracy when reassembly of work table or guide rail is required.



PART NUMBER STRUCTURE

①	②	③	④	⑤	⑥	⑦	⑧	⑨	⑩
BG	15	01	A	75	H	A0			
		02	B	100	P	A1	C	K	P△□
				125		A2	J○○		G▲
				150		A3			LB
				175		A4			PNP
				200		A5			
						A6			
						A7			
						R0			

- ① BG type
- ② size
- ③ ball screw lead
- ④ type of block
 - A : with 1 long block
 - B : with 2 long blocks
 - ※ Drive block is located closest to motor bracket side.
- ⑤ guide rail length
- ⑥ accuracy grade
 - H : high grade
 - P : precision grade
- ⑦ motor bracket (Please contact NB for details)
- ⑧ cover and bellows
 - none : without top cover
 - C : with top cover + sub table
 - J : with bellows
- ⑨ sensor
 - none : without sensor
 - K : with proximity sensor
- ⑩ option
 - none : without option
 - P : with positioning pin hole
 - G : with special grease option
 - LB : with low temperature black chrome treatment
 - PNP : with PNP sensor

Please contact NB for details.



NIPPON BEARING CO., LTD.

2833 Chiya, Ojiya-city, Niigata-pref., 947-8503 JAPAN

Phone: 81-258-82-0011 FAX: 81-258-81-1135 <http://www.nb-linear.co.jp>

NB Corporation of America

930 Muirfield Drive, Hanover Park, IL 60133, U.S.A.
 Phone: 1(630)295-8880
 FAX: 1(630)295-8881
 TOLL FREE: (800)521-2045
<http://www.nbcorporation.com>
info@nbcorporation.com

Western Regional Office

2157 O'Toole Ave., Suite D, San Jose, CA 95131, U.S.A.
 Phone: 1(408)435-1800
 FAX: 1(408)435-1850
 TOLL FREE: (888)562-4175

Eastern Regional Office

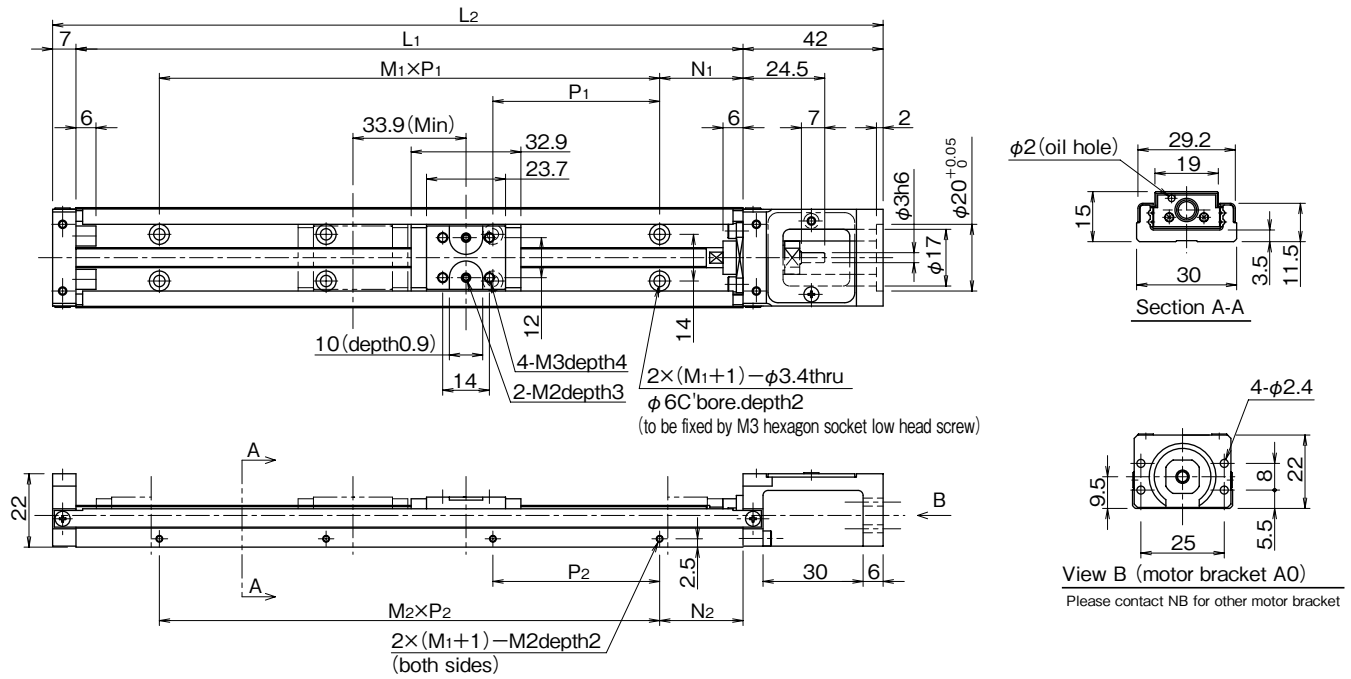
41 Orchard Street, Ramsey, NJ 07446, U.S.A.
 Phone: 1(201)236-3886
 FAX: 1(201)236-5112
 TOLL FREE: (800)981-8190

NB Europe B.V.

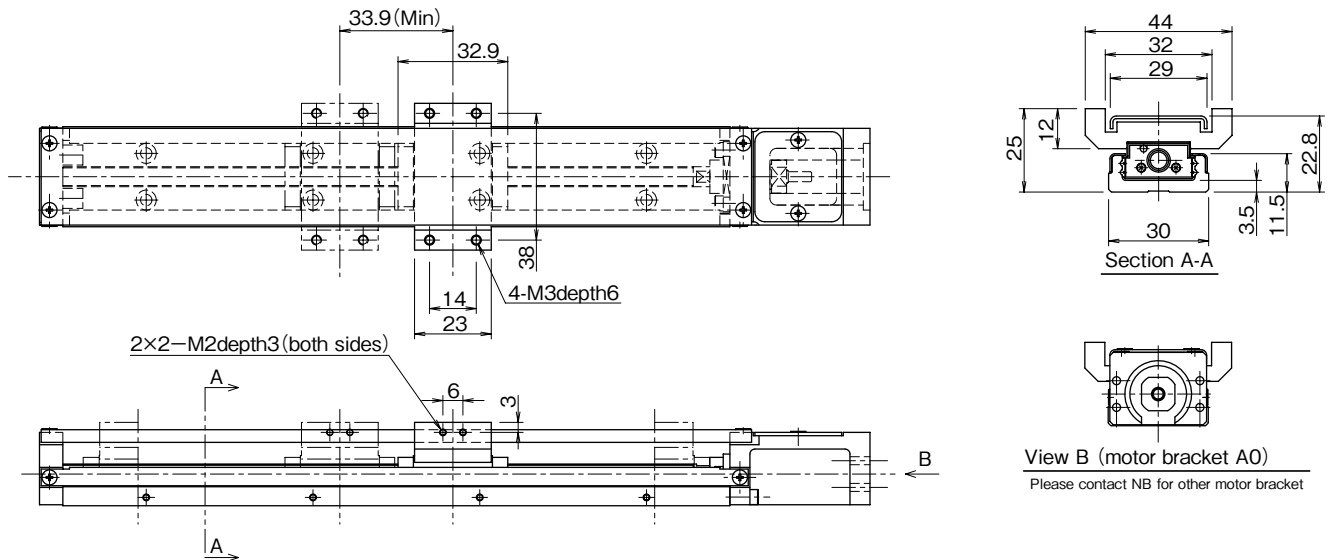
Boekweitstraat 21, 2153 GK Nieuw-Vennep, The Netherlands
 Phone: +31 (0)252-463-200
 FAX: +31 (0)252-463-209
<http://www.nbeurope.com>
info@nbeurope.com

BG15A, B

—Without Top Cover—



—With Top Cover—



dimensions						stroke limit	
L ₁	L ₂	N ₁	M ₁ × P ₁	N ₂	M ₂ × P ₂	BG15A	BG15B
75	124	12.5	1 × 50	12.5	1 × 50	30	—
100	149	25		25		55	—
125	174	12.5	2 × 50	12.5	2 × 50	80	46
150	199	25		25		105	71
175	224	12.5	3 × 50	12.5	3 × 50	130	96
200	249	25		25		155	121

Stroke limit is a drive distance between both ends of the dampers.