

MSA-BT5-G-BE- -

PULLEY PITCH DIAMETER	47.75mm (1.880")
PULLEY WIDTH	54.0mm (2.124")
PULLEY MATERIAL	STEEL
BELT WEIGHT (kg)	((TRAVEL IN METERS x 2)+.74) x .34
TRAVEL PER REV.	150mm
TRAVEL MIN.	150mm
TRAVEL MAX.	5775mm
CART/PUSHER WEIGHT (kg)	(TRAVEL IN METERS x 4.9) + 4.0
SYSTEM WEIGHT (kg)	(TRAVEL IN METERS x 10.5) + 10.7

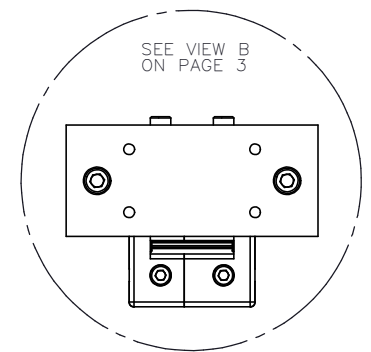
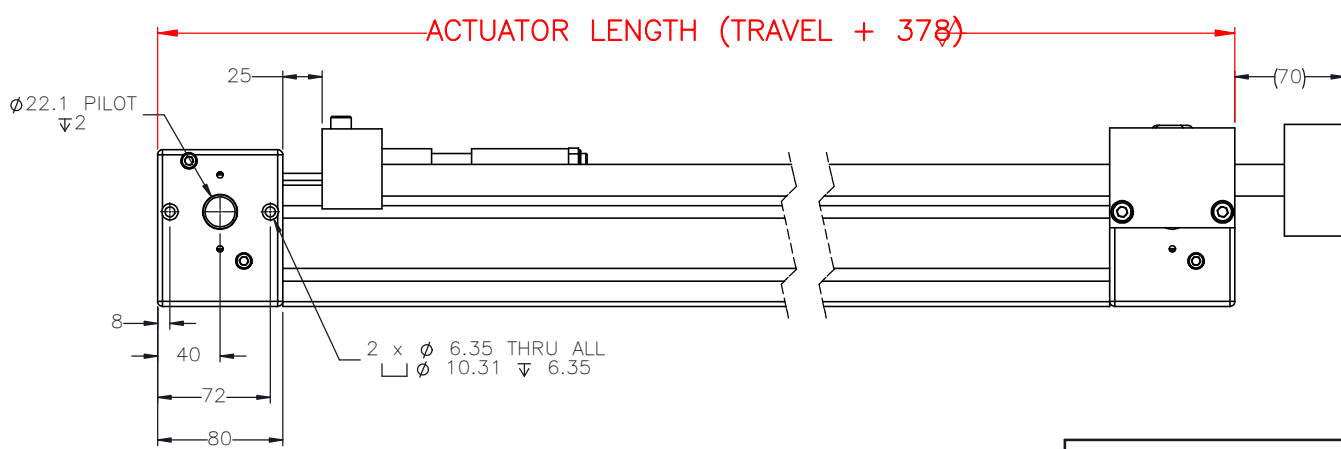
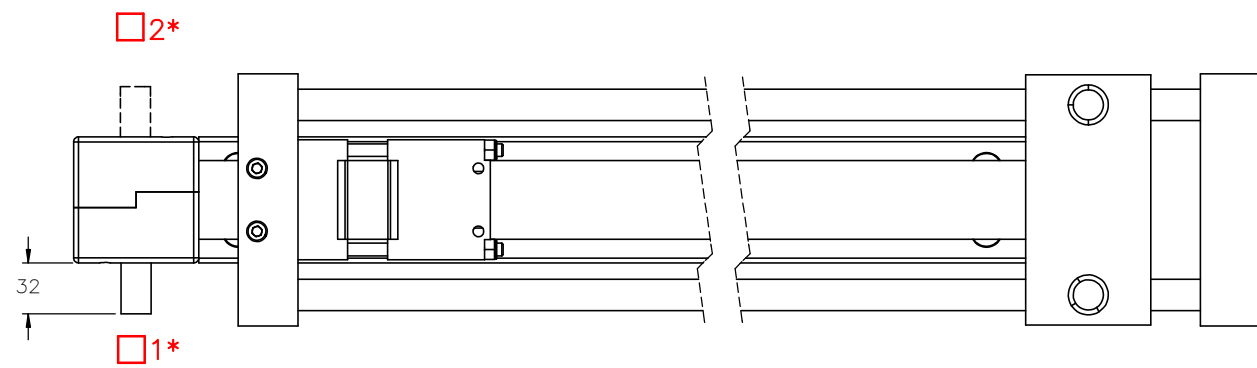
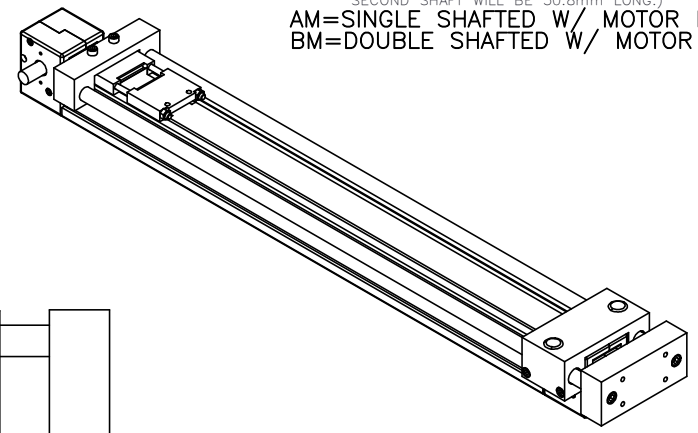
ENTER
TRAVEL IN INCREMENTS OF 25mm

SELECT
DRIVE SHAFT LOCATION*

SHAFTING TYPE
A0= SINGLE SHAFTED
B0= DOUBLE SHAFTED

NOTE: (IF "B" IS USED THE NUMBER WILL DESIGNATE POSITION OF SHORT SHAFT. SECOND SHAFT WILL BE 50.8mm LONG.)

AM= SINGLE SHAFTED W/ MOTOR MOUNT
BM= DOUBLE SHAFTED W/ MOTOR MOUNT



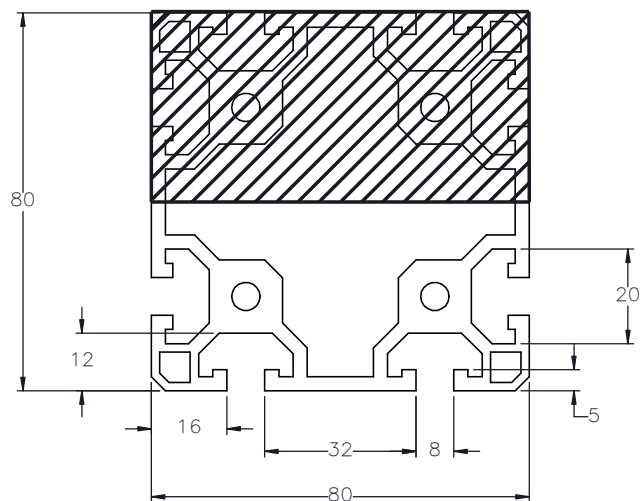
APPROVED: _____

DATE: _____

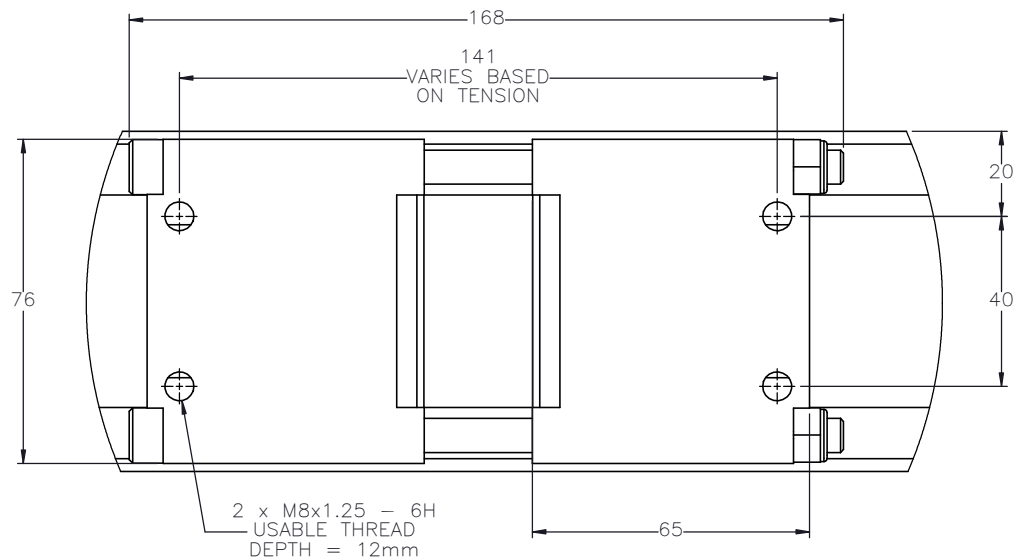
 MACRON DYNAMICS INC	DRAWN BY: PHW DATE: 11/26/2017	MATERIAL:	TITLE:	
	CHECKED BY: -- DATE: DD/MM/YYYY	FINISH:	MACRON THRUSTER	
	LAST SAVED BY: Tim DATE: 8/13/2020	UNLESS OTHERWISE SPECIFIED, DIMENSIONS ARE IN MILLIMETERS: .XX ± .254 TOLERANCES UNLESS NOTED OTHERWISE: .XXX ± .127 ANG ± 0°30'	SCALE: 1:1	SHEET SIZE: C
	SURFACE FINISH: <input checked="" type="checkbox"/> BREAK ALL SHARP EDGES DIMENSIONAL LIMITS APPLY AFTER FINISHING	THIRD ANGLE PROJECTION	SHEET: 1 OF 3	PART NUMBER: MSA-BT5

SPECIFICATIONS ARE SUBJECT TO CHANGE WITHOUT NOTICE

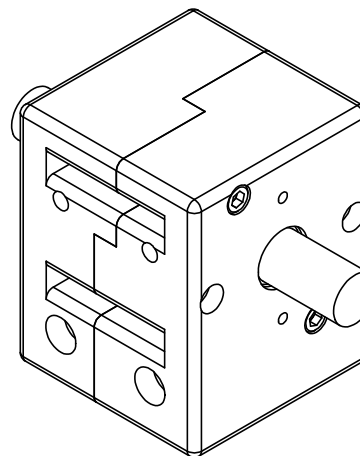
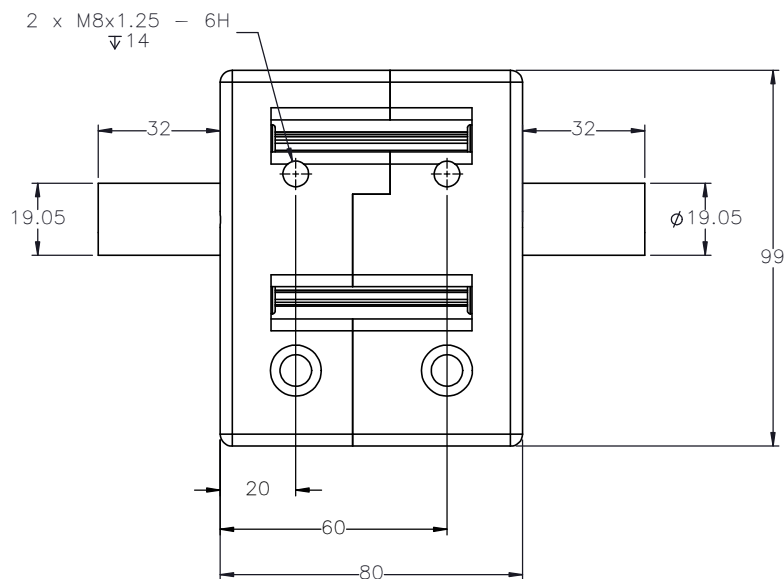
ACTUATOR BODY MOUNTING FEATURES T-NUT SLOTS



DETAILED CART VIEW A

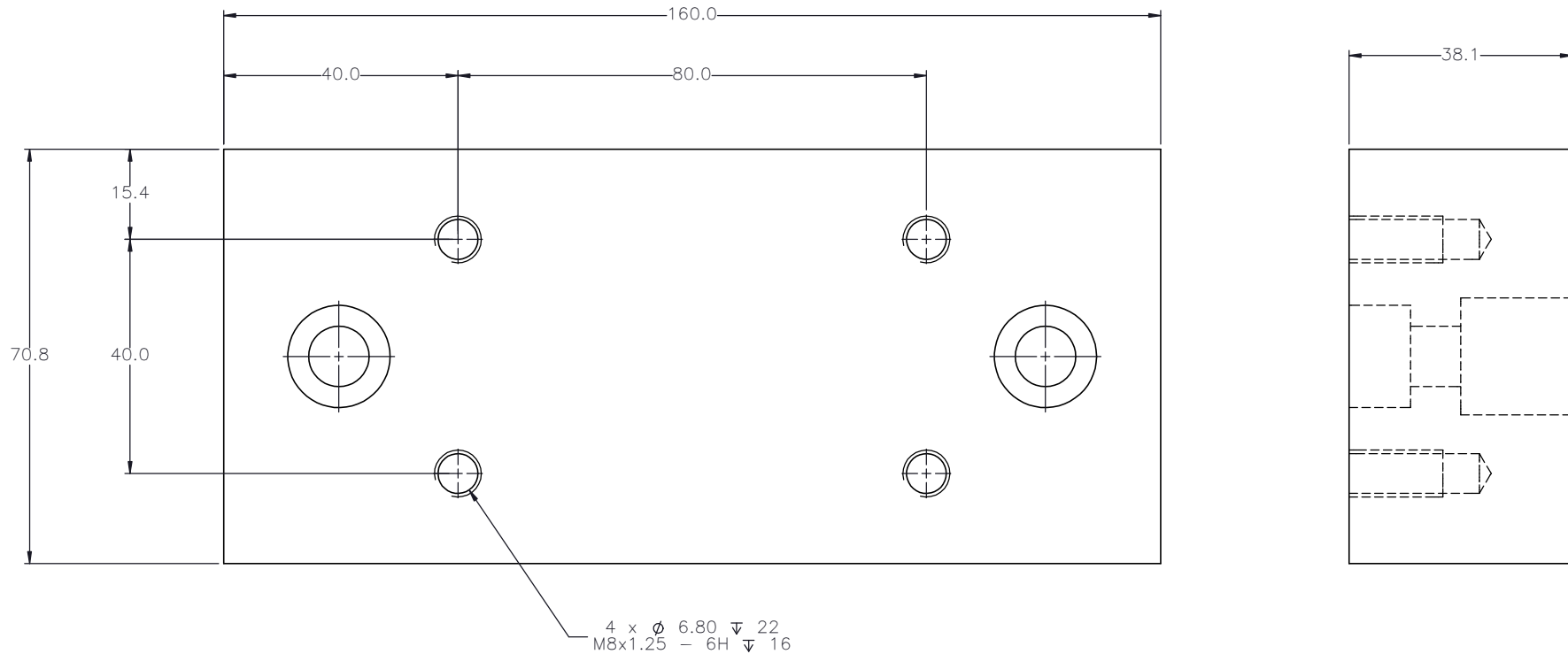


DOUBLE SHAFTED PULLEY




	DRAWN BY: PHW CHECKED BY: -- LAST SAVED BY: Tim	DATE: 11/26/2017 DATE: DD/MM/YYYY DATE: 8/13/2020	MATERIAL:	TITLE:
	UNLESS OTHERWISE SPECIFIED: DIMENSIONS ARE IN MILLIMETER TOLERANCES UNLESS NOTED OTHERWISE:		FINISH:	MACRON THRUSTER
	SURFACE FINISH: <input checked="" type="checkbox"/>		SHEET:	PART NUMBER:
	THIS DRAWING IS THE PROPERTY OF MACRON DYNAMICS. ANY REPRODUCTIONS SHALL BE FOR QUOTATION, MANUFACTURING OR PURCHASING PURPOSES ONLY. RELEASE OF DRAWINGS TO OTHER CONCERNS DOES NOT CONSTITUTE LICENSING IN ANY WAY. INFORMATION CONTAINED HEREIN IS PROPRIETARY AND CONFIDENTIAL.		BREAK ALL SHARP EDGES DIMENSIONAL LIMITS APPLY AFTER FINISHING THIRD ANGLE PROJECTION	SCALE: 1:1 SHEET SIZE: C
SPECIFICATIONS ARE SUBJECT TO CHANGE WITHOUT NOTICE		2 OF 3	MSA-BT5	REV

DETAILED PUSHER PLATE



4 x Ø 6.80 ± .22
M8x1.25 - 6H ± .16

 MACRON DYNAMICS INC	DRAWN BY: PHW DATE: 11/26/2017	MATERIAL:	TITLE:
	CHECKED BY: -- DATE: DD/MM/YYYY		MACRON THRUSTER
	LAST SAVED BY: Tim DATE: 8/13/2020	FINISH:	SCALE: 1:1 SHEET SIZE: C
	UNLESS OTHERWISE SPECIFIED, DIMENSIONS ARE IN MILLIMETERS. TOLERANCES UNLESS NOTED OTHERWISE: .X ± .762 .XX ± .254 .XXX ± .127 ANG ± 0°30'	SURFACE FINISH: <input checked="" type="checkbox"/> BREAK ALL SHARP EDGES DIMENSIONAL LIMITS APPLY AFTER FINISHING THIRD ANGLE PROJECTION	SHEET: 3 OF 3 PART NUMBER: MSA-BT5