

MSA-BT1-B-GB- -

PULLEY PITCH DIAMETER	33.42mm (1.316")
PULLEY WIDTH	16.3mm (.640")
PULLEY MATERIAL	STEEL
BELT WEIGHT (kg)	$((\text{TRAVEL IN METERS} \times 2) + .51) \times .04$
TRAVEL PER REV.	105mm
TRAVEL MIN.	150mm
TRAVEL MAX.	5825mm
CART/PUSHER WEIGHT (kg)	$(\text{TRAVEL IN METERS} \times .45) + .48$
SYSTEM WEIGHT (kg)	$(\text{TRAVEL IN METERS} \times 1.8) + 2.1$

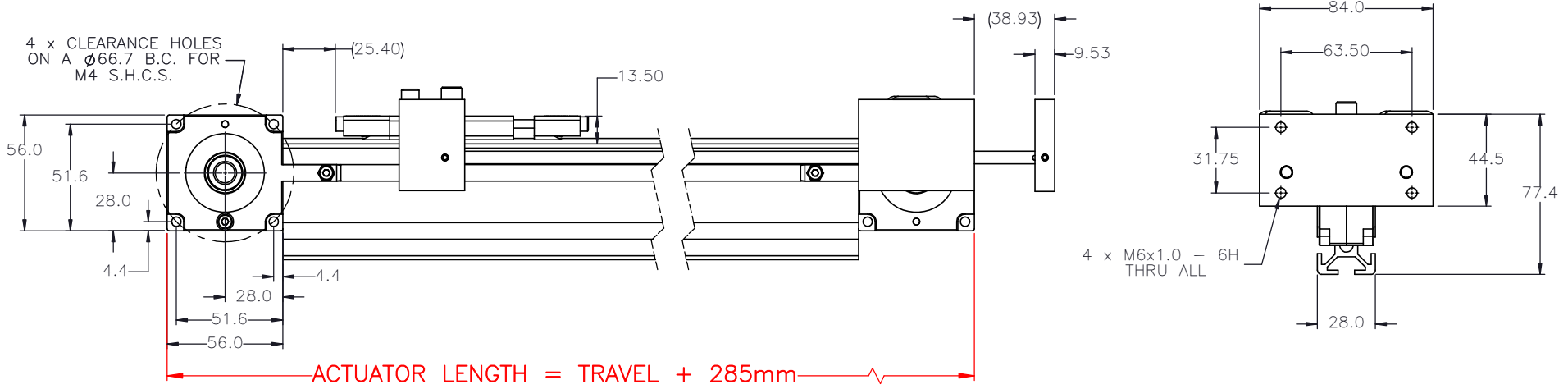
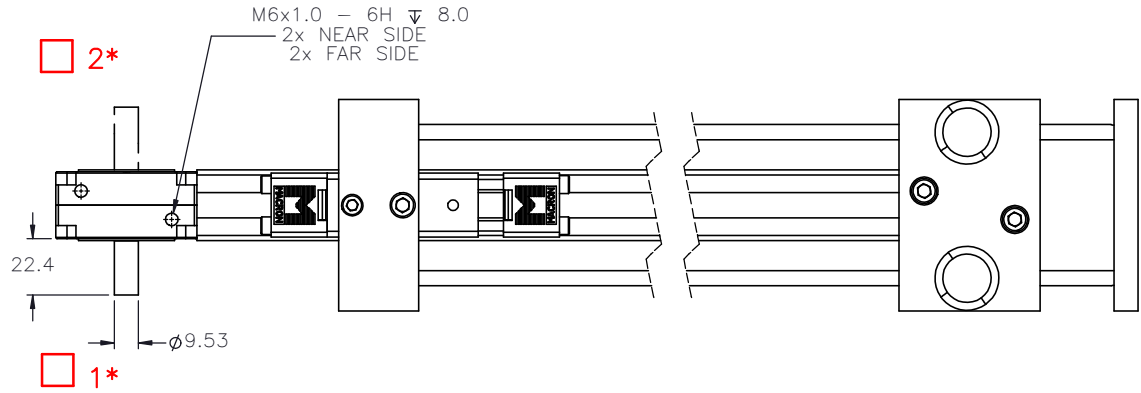
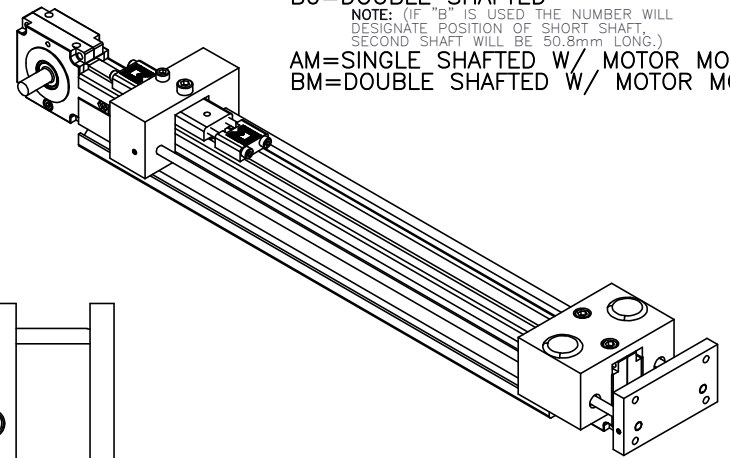
ENTER
TRAVEL IN INCREMENTS OF 25mm

SELECT
DRIVE SHAFT LOCATION*

SHAFTING TYPE
A0= SINGLE SHAFTED
B0= DOUBLE SHAFTED

NOTE: (IF "B" IS USED THE NUMBER WILL DESIGNATE POSITION OF SHORT SHAFT. SECOND SHAFT WILL BE 50.8mm LONG.)

AM= SINGLE SHAFTED W/ MOTOR MOUNT
BM= DOUBLE SHAFTED W/ MOTOR MOUNT



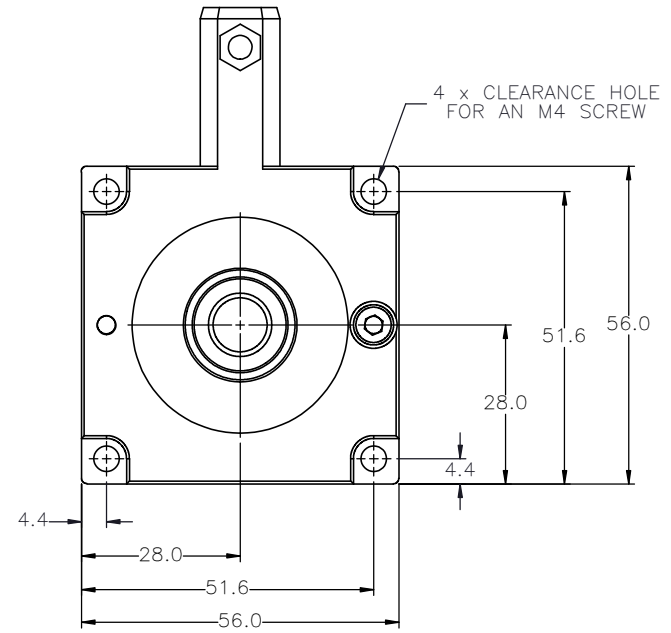
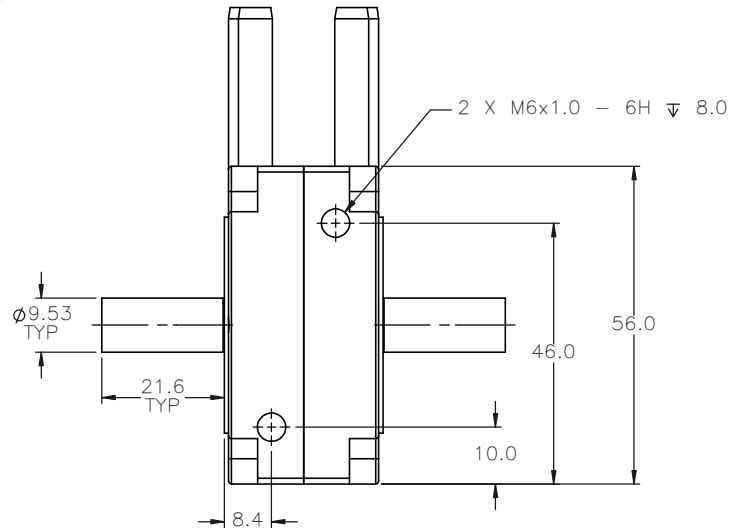
APPROVED: _____

DATE: _____

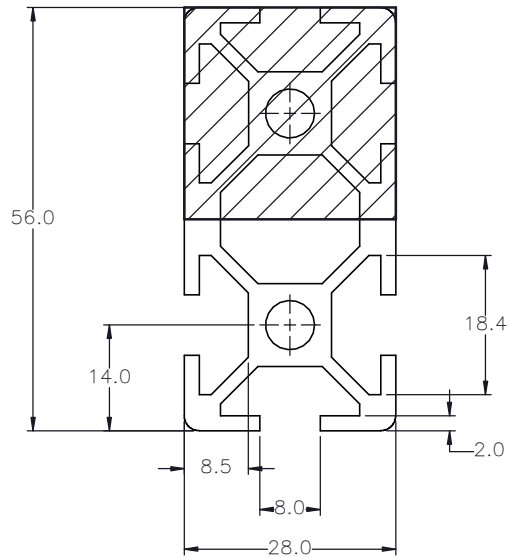
 MACRON DYNAMICS INC	DRAWN BY: PHW DATE: 11/26/2017 CHECKED BY: -- DATE: DD/MM/YYYY LAST SAVED BY: Tim DATE: 8/13/2020	MATERIAL:	TITLE:
	UNLESS OTHERWISE SPECIFIED: DIMENSIONS ARE IN INCHES: TOLERANCES UNLESS NOTED: .XX ± .010 .XXX ± .005 ANG ± 0°30'	FINISH:	MACRON THRUSTER
	SURFACE FINISH <input checked="" type="checkbox"/>	SHEET: 1 OF 3 PART NUMBER: MSA-BT1	SCALE: 1:1 SHEET SIZE: C
THIS DRAWING IS THE PROPERTY OF MACRON DYNAMICS. ANY REPRODUCTIONS SHALL BE FOR QUOTATION, MANUFACTURING OR PURCHASING PURPOSES ONLY. RELEASE OF DRAWINGS TO OTHER CONCERNS DOES NOT CONSTITUTE LICENSING IN ANY WAY. INFORMATION CONTAINED HEREIN IS PROPRIETARY AND CONFIDENTIAL.			


SPECIFICATIONS ARE SUBJECT TO CHANGE WITHOUT NOTICE

DOUBLE SHAFTED PULLEY

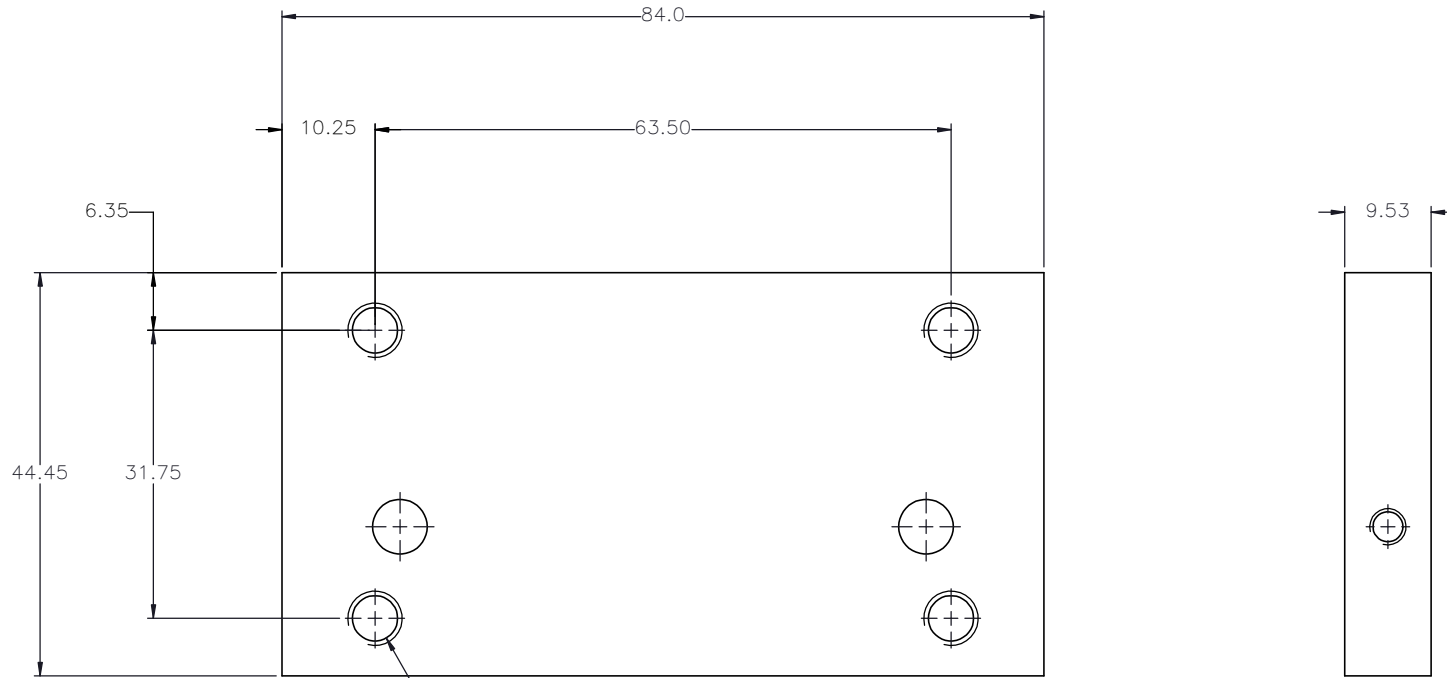


ACTUATOR BODY T-SLOT MOUNTING FEATURES




 MACRON DYNAMICS INC	DRAWN BY: PHW DATE: 11/26/2017 CHECKED BY: -- DATE: DD/MM/YYYY LAST SAVED BY: Tim DATE: 8/13/2020	MATERIAL:	TITLE: PULLEY ASSEMBLY 28-12C, DOUBLE SHAFTED, 3/8"
	UNLESS OTHERWISE SPECIFIED, DIMENSIONS ARE IN INCHES: TOLERANCES UNLESS NOTED OTHERWISE:	FINISH:	
	.X \pm .03 .XX \pm .010 .XXX \pm .005 ANG \pm 0°30'		
THIS DRAWING IS THE PROPERTY OF MACRON DYNAMICS ANY REPRODUCTIONS SHALL BE FOR QUOTATION, MANUFACTURING OR PURCHASING PURPOSES ONLY. RELEASE OF DRAWINGS TO OTHER CONCERNS DOES NOT CONSTITUTE LICENSING IN ANY WAY. INFORMATION CONTAINED HEREIN IS PROPRIETARY AND CONFIDENTIAL.	SURFACE FINISH \checkmark BREAK ALL SHARP EDGES DIMENSIONAL LIMITS APPLY AFTER FINISHING THIRD ANGLE PROJECTION	SHEET 2 OF 3	PART NUMBER MSA-BT1
SPECIFICATIONS ARE SUBJECT TO CHANGE WITHOUT NOTICE	SCALE: 1:1 SHEET SIZE: C	REV	

CUSTOMER ACCESSIBLE MOUNTING FEATURES, END PLATE



4 x ϕ 5.00 THRU ALL
M6x1.0 - 6H THRU ALL

 MACRON DYNAMICS INC	DRAWN BY: PHW DATE: 11/26/2017	MATERIAL:	TITLE:
	CHECKED BY: -- DATE: DD/MM/YYYY	ALUM. JIG PLATE	PUSH PLATE
	LAST SAVED BY: Tim DATE: 8/13/2020	FINISH:	SCALE: 1:1 SHEET SIZE: C
	UNLESS OTHERWISE SPECIFIED: DIMENSIONS ARE IN INCHES: .X ± .762 .XX ± .254 TOLERANCES UNLESS NOTED: .XXX ± .127 OTHERWISE: ANG ± 0°30'	BLACK ANODIZE	
THIS DRAWING IS THE PROPERTY OF MACRON DYNAMICS ANY REPRODUCTIONS SHALL BE FOR QUOTATION, MANUFACTURING OR PURCHASING PURPOSES ONLY. RELEASE OF DRAWINGS TO OTHER CONCERNS DOES NOT CONSTITUTE LICENSING IN ANY WAY. INFORMATION CONTAINED HEREIN IS PROPRIETARY AND CONFIDENTIAL	SURFACE FINISH: <input checked="" type="checkbox"/> BREAK ALL SHARP EDGES DIMENSIONAL LIMITS APPLY AFTER FINISHING THIRD ANGLE PROJECTION	SHEET: 3 OF 3 PART NUMBER: Z00122403	REV: