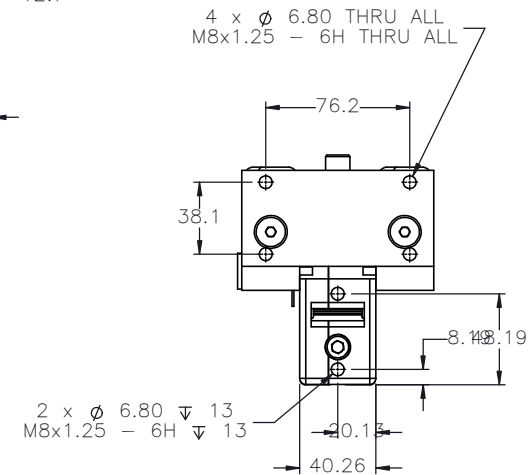
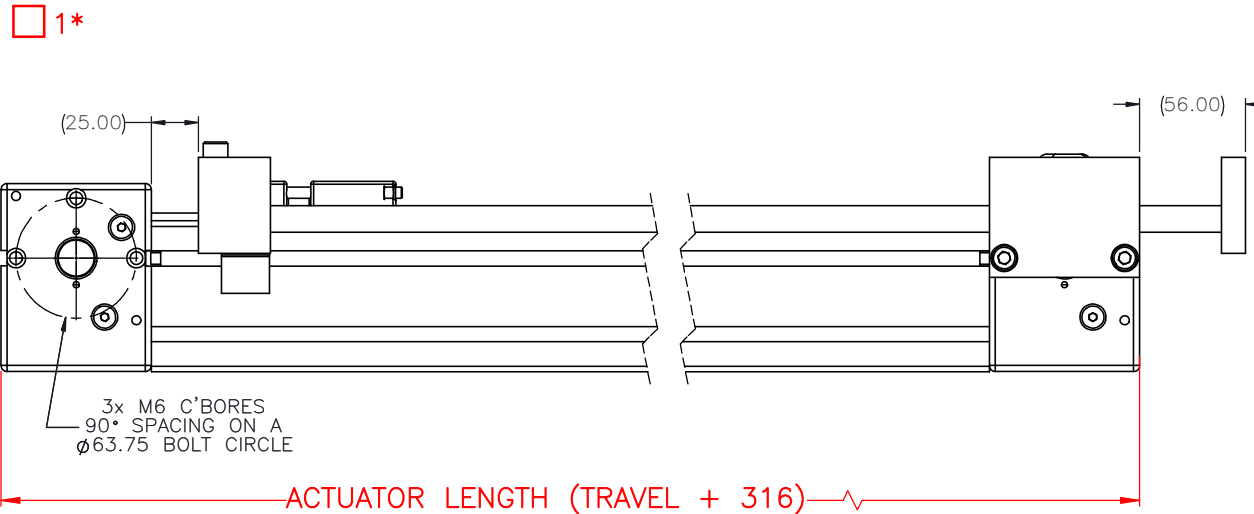
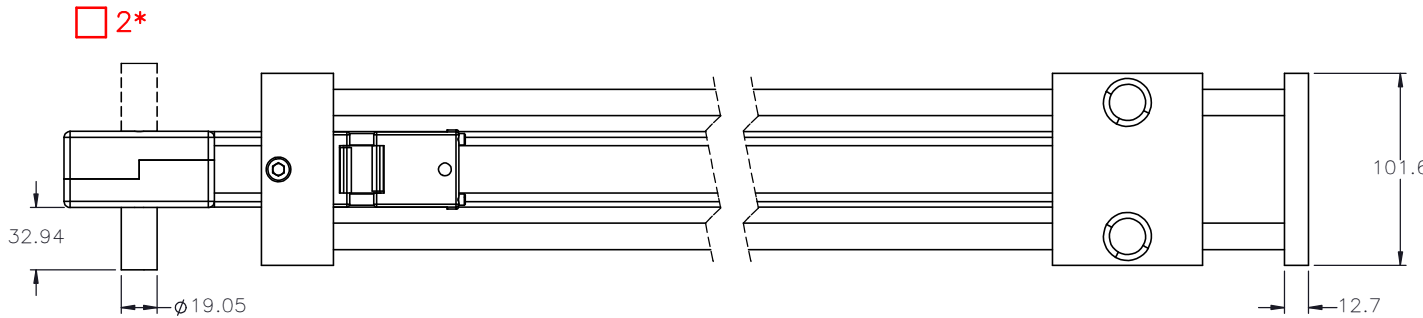
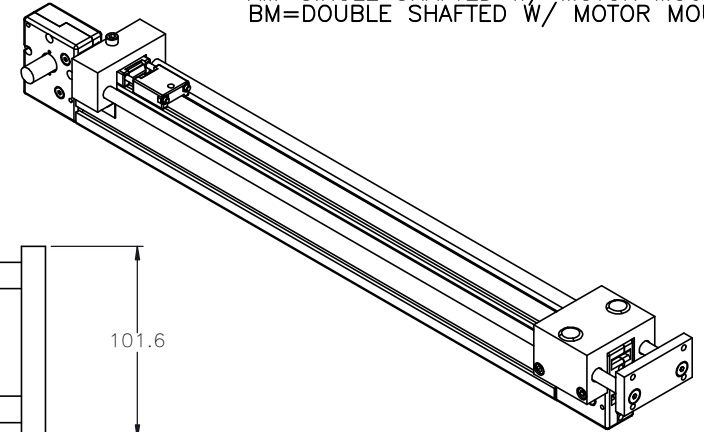


# MSA-BT2-E-BC- -

PULLEY PITCH DIAMETER	47.75mm (1.880")
PULLEY WIDTH	28.9mm (1.138")
PULLEY MATERIAL	STEEL
BELT WEIGHT (kg)	$((\text{TRAVEL IN METERS} \times 2) + .61) \times .12$
TRAVEL PER REV.	150mm
TRAVEL MIN.	150mm
TRAVEL MAX.	5825mm
CART/PUSHER WEIGHT (kg)	$(\text{TRAVEL IN METERS} \times 2.4) + 1.3$
SYSTEM WEIGHT (kg)	$(\text{TRAVEL IN METERS} \times 5.7) + 4.7$

**ENTER**  
TRAVEL IN INCREMENTS OF 25mm  
**SELECT**  
DRIVE SHAFT LOCATION\*

**SHAFTING TYPE**  
A0= SINGLE SHAFTED  
B0= DOUBLE SHAFTED  
NOTE: (IF "B" IS USED THE NUMBER WILL DESIGNATE POSITION OF SHORT SHAFT. SECOND SHAFT WILL BE 50.8mm LONG.)  
AM= SINGLE SHAFTED W/ MOTOR MOUNT  
BM= DOUBLE SHAFTED W/ MOTOR MOUNT

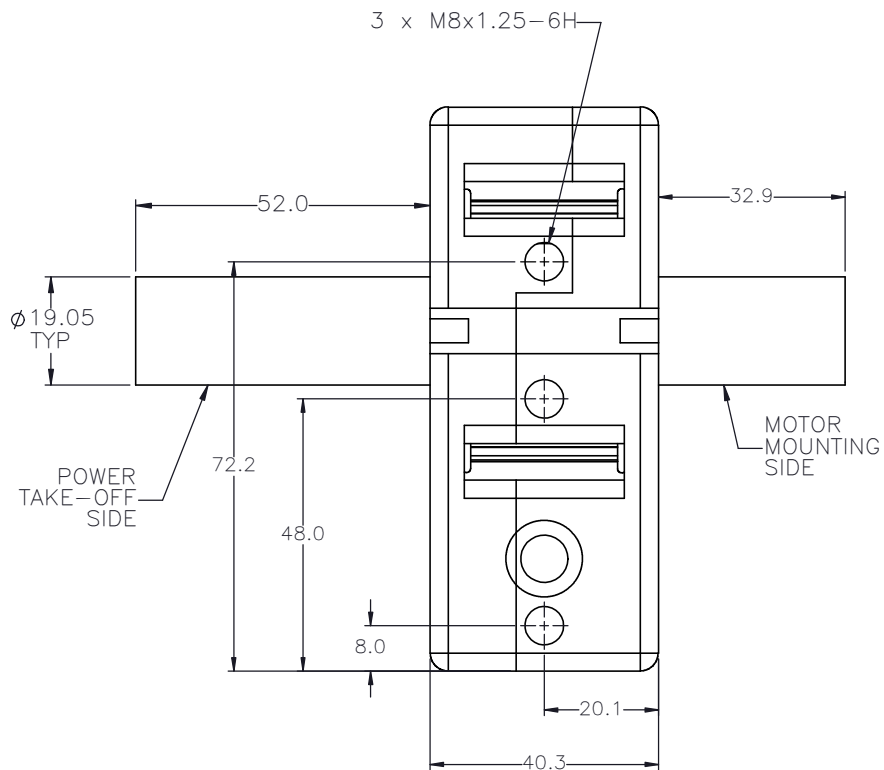
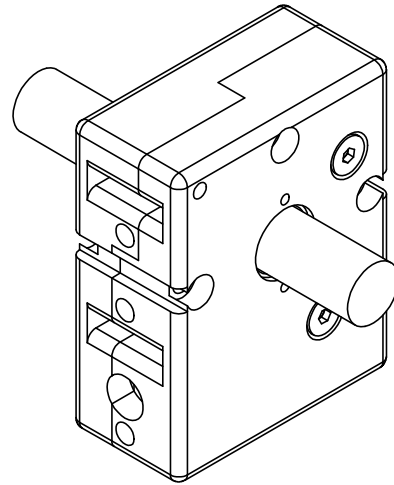


APPROVED: \_\_\_\_\_

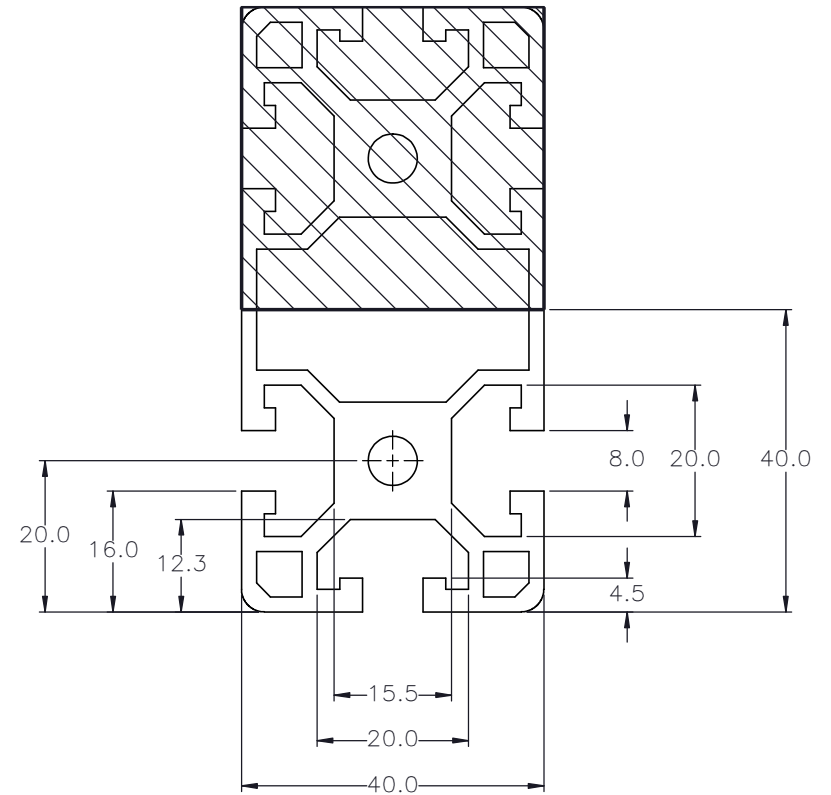
DATE: \_\_\_\_\_

	DRAWN BY: PHW	DATE: 11/26/2017	MATERIAL:	TITLE:
	CHECKED BY: --	DATE: DD/MM/YYYY	FINISH:	MACRON THRUSTER
	LAST SAVED BY: Tim	DATE: 8/13/2020		
	UNLESS OTHERWISE SPECIFIED, DIMENSIONS ARE IN INCHES. TOLERANCES UNLESS NOTED OTHERWISE:		.X ± .03 .XX ± .010 .XXX ± .005 ANG ± 0°30'	
SURFACE FINISH		✓		SCALE: 1:1
BREAK ALL SHARP EDGES DIMENSIONAL LIMITS APPLY AFTER FINISHING		THIRD ANGLE PROJECTION		SHEET: 1 OF 3
SPECIFICATIONS ARE SUBJECT TO CHANGE WITHOUT NOTICE		CONTAINED HEREIN IS PROPRIETARY AND CONFIDENTIAL		PART NUMBER: MSA-BT2

# DOUBLE SHAFTED PULLEY



# CUSTOMER ACCESSIBLE MOUNTING FEATURES, T-NUT SLOTS



MACRON DYNAMICS INC

DRAWN BY: PHW DATE: 11/26/2017  
 CHECKED BY: -- DATE: DD/MM/YYYY  
 LAST SAVED BY: Tim DATE: 8/13/2020

MATERIAL:  
 FINISH:

TITLE:  
 MOUNTING DETAILS

SURFACE FINISH ✓  
 BREAK ALL SHARP EDGES  
 DIMENSIONAL LIMITS APPLY AFTER FINISHING  
 THIRD ANGLE PROJECTION

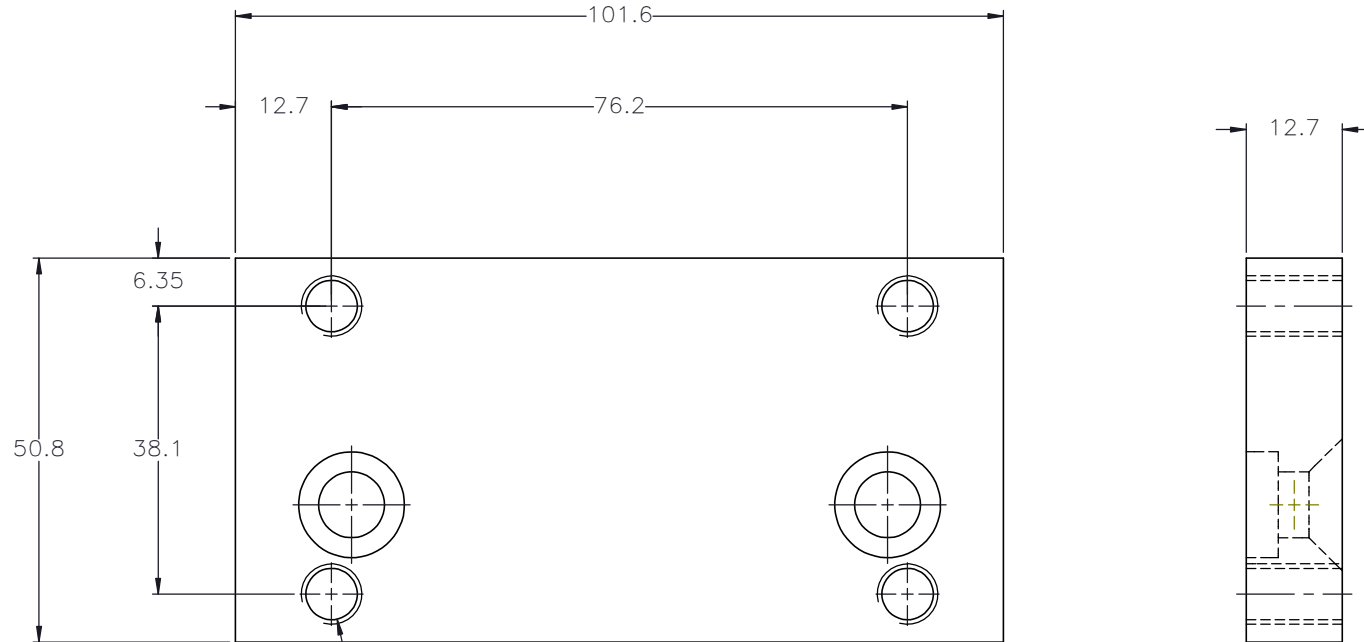
SHEET  
 2 OF 3


PART NUMBER  
 MSA-BT2

SCALE 1:1 SHEET SIZE C

REV

# CUSTOMER ACCESSIBLE MOUNTING FEATURES, END PLATE



 <b>MACRON DYNAMICS INC</b>	<small>DRAWN BY:</small> PHW <small>DATE:</small> 11/26/2017	<small>MATERIAL:</small>  <small>FINISH:</small>	<small>TITLE:</small> <b>PUSH PLATE</b>	
	<small>CHECKED BY:</small> -- <small>DATE:</small> DD/MM/YYYY		<small>SCALE</small> <b>1:1</b> <small>SHEET SIZE</small> <b>C</b>	
	<small>LAST SAVED BY:</small> Tim <small>DATE:</small> 8/13/2020	<small>SHEET</small> <b>3 OF 3</b> <small>PART NUMBER</small> <b>MSA-BT2</b>		
	<small>UNLESS OTHERWISE SPECIFIED, DIMENSIONS ARE IN INCHES: TOLERANCES UNLESS NOTED OTHERWISE:</small>			<small>SURFACE FINISH</small> <input checked="" type="checkbox"/>
<small>.X ± .762 .XX ± .254 .XXX ± .127 ANG ± 0°30'</small>	<small>BREAK ALL SHARP EDGES DIMENSIONAL LIMITS APPLY AFTER FINISHING</small> <b>THIRD ANGLE PROJECTION</b>			