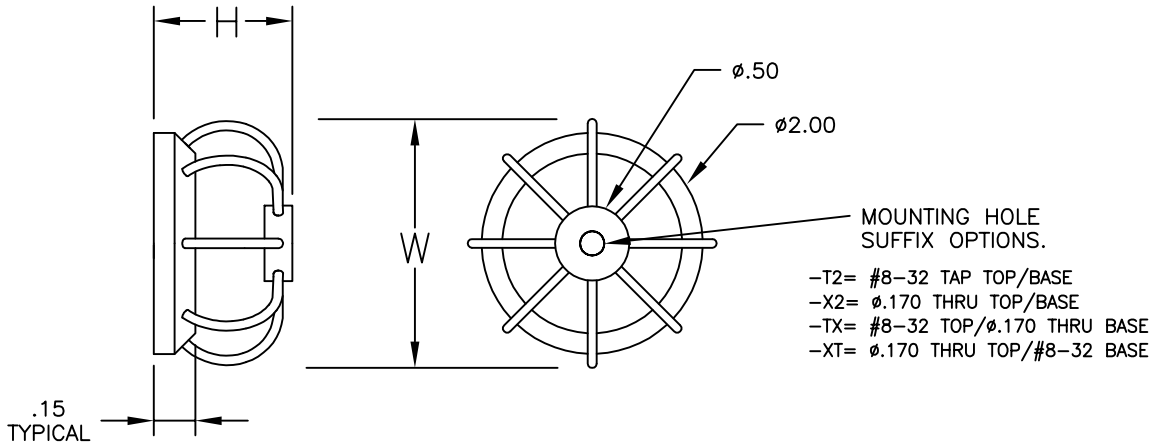


REV.	DESCRIPTION	DATE	BY

# CA2L SERIES

## 1/16" WIRE ROPE



\* CROSSED CABLE NOT PICTURED

ISOLATOR PART NO.	NOMINAL DIMENSIONS (in)		LOAD MODE	SHOCK AVERAGE K (lb/in)	VIBRATION AVERAGE K (lb/in)	MAX. RATED DYNAMIC TRAVEL (in)
	H $\pm$ .03	W(REF)				
CA2L-150-08-[ ]	.95	2.13	COMPRESSION SHEAR 45 DEG. C/R	26 18 18	80 20 60	.20 .20 .30
CA2L-200-08-[ ]	1.35	2.38	COMPRESSION SHEAR 45 DEG. C/R	10 5 5	30 6 20	.30 .40 .50
CA2L-250-08-[ ]	1.75	2.63	COMPRESSION SHEAR 45 DEG. C/R	5 2 2	14 4 8	.40 .60 .80
CAX2L-[ ] (CROSSED CABLE)	1.15	2.65	COMPRESSION SHEAR 45 DEG. C/R	6 7 4	20 10 14	.36 .32 .60

OTHER MATERIALS, COMPOUNDS, OR FINISHES WITH EQUAL OR SUPERIOR PROPERTIES MAY BE SUBSTITUTED AS THEY BECOME AVAILABLE.

**CERTIFIED FOR:**

JOB NAME: \_\_\_\_\_  
 CUSTOMER: \_\_\_\_\_  
 CUSTOMER P.O.: \_\_\_\_\_  
 SALES ORDER: \_\_\_\_\_

**MODEL CA2L SERIES  
 ALUMINUM ARCH WIRE ROPE  
 ISOLATOR**



**THE VMC GROUP**  
*The Power of Together*  
 Bloomingdale, NJ 07403  
 Houston, TX 77041

SCALE:  
**NONE**  
 SHEET:



DRAWING NO.: \_\_\_\_\_ REVISION