

MSA-SBH-I-JF- -

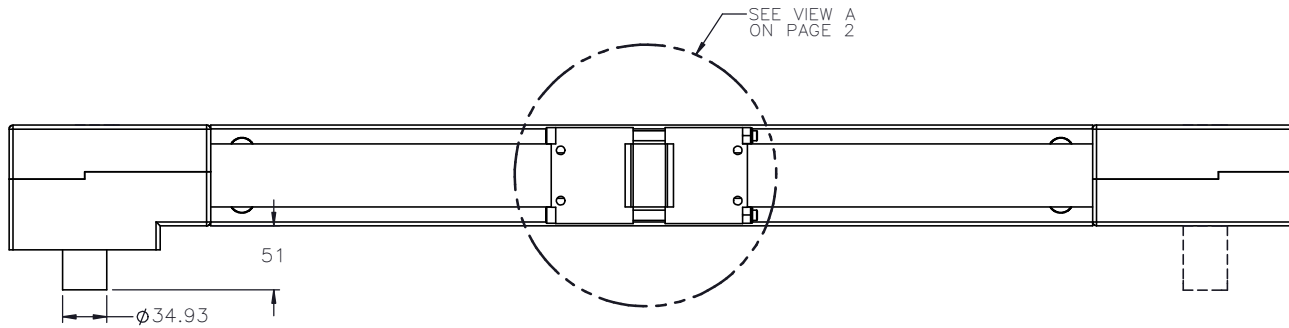
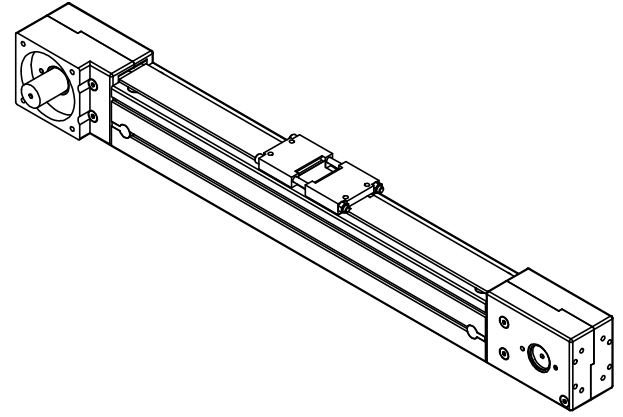
PULLEY PITCH DIAMETER	89.13mm (3.509")
PULLEY WIDTH	55mm (2.160")
PULLEY MATERIAL	STEEL
BELT WEIGHT (kg)	$((\text{TRAVEL IN METERS} \times 2) + 1.10) \times .34$
TRAVEL PER REV.	280mm
TRAVEL MIN.	150mm
TRAVEL MAX.	5775mm
TENSION ASSY WEIGHT (kg)	1.04kg
SYSTEM WEIGHT (kg)	$(\text{TRAVEL IN METERS} \times 11.7) + 13.4$

ENTER
TRAVEL IN INCREMENTS OF 25mm

SELECT
DRIVE SHAFT LOCATION*

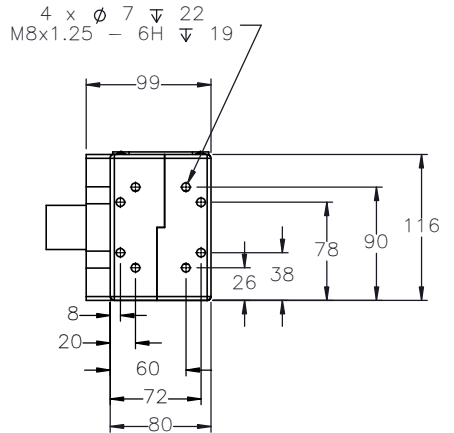
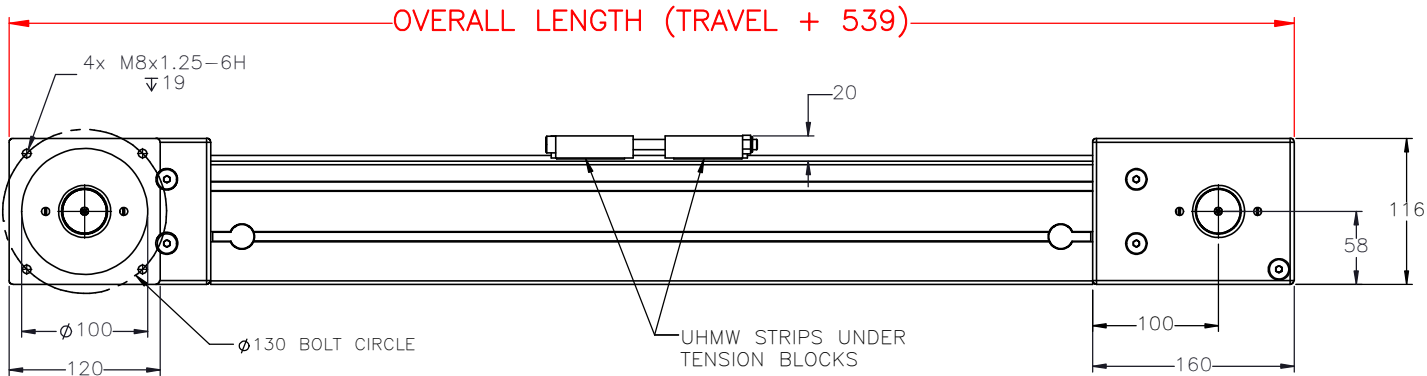
SHAFTING TYPE
AO=SINGLE SHAFTED
BO=DOUBLE SHAFTED

NOTE: (IF "B" IS USED THE NUMBER WILL DESIGNATE POSITION OF MOUNTING FLANGE.)
AM=SINGLE SHAFTED W/ MOTOR MOUNT
BM=DOUBLE SHAFTED W/ MOTOR MOUNT



1*

3*



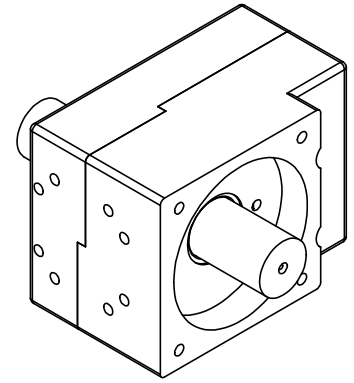
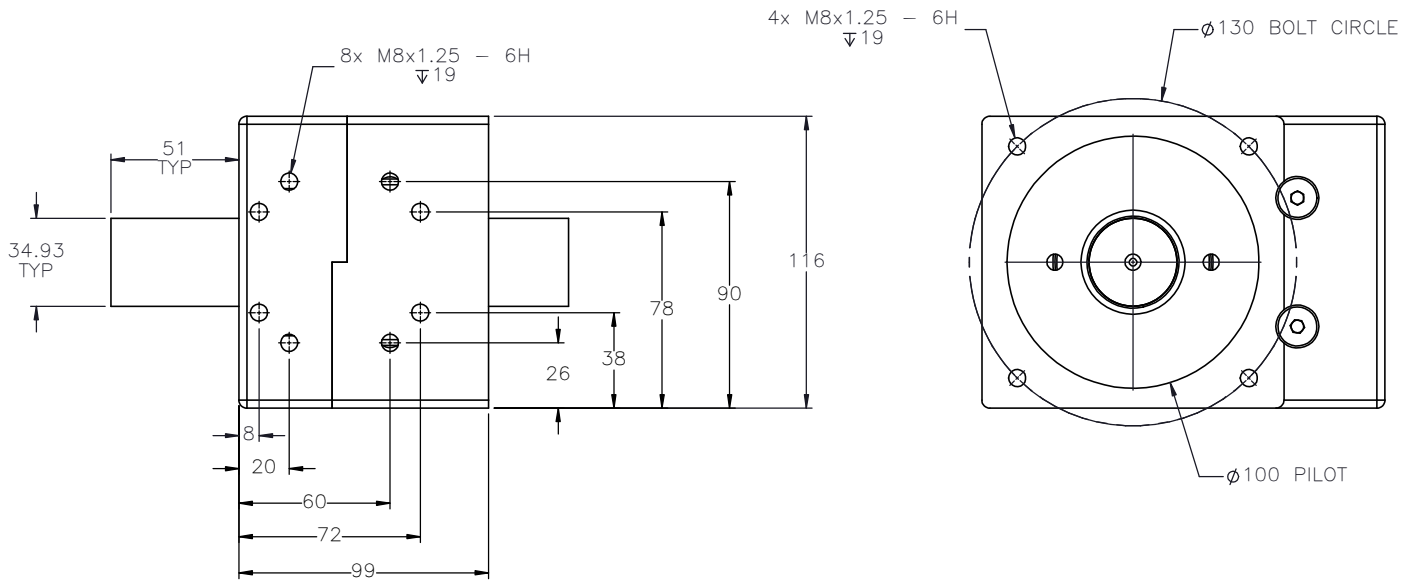
APPROVED: _____

DATE: _____

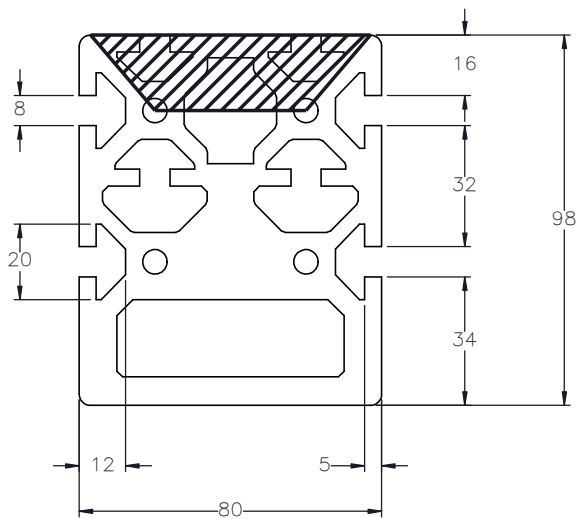
	DRAWN BY: PHW	DATE: 11/26/2017	MATERIAL:	TITLE: MACRON SINGLE BELT DRIVE 50H
	CHECKED BY: --	DATE: DD/MM/YYYY	FINISH:	
	LAST SAVED BY: Tim	DATE: 8/6/2020	SHEET:	
	UNLESS OTHERWISE SPECIFIED: DIMENSIONS ARE IN MILLIMETERS- TOLERANCES UNLESS NOTED: .X ± .762 .XX ± .254 .XXX ± .127 OTHERWISE: ANG ± 0°30'		SURFACE FINISH <input checked="" type="checkbox"/> BREAK ALL SHARP EDGES DIMENSIONAL LIMITS APPLY AFTER FINISHING THIRD ANGLE PROJECTION	
THIS DRAWING IS THE PROPERTY OF MACRON DYNAMICS. ANY REPRODUCTIONS SHALL BE FOR QUOTATION, MANUFACTURING OR PURCHASING PURPOSES ONLY. RELEASE OF DRAWINGS TO OTHER CONCERNS DOES NOT CONSTITUTE LICENSING IN ANY WAY. INFORMATION CONTAINED HEREIN IS PROPRIETARY AND CONFIDENTIAL.		SHEET: 1 OF 2 PART NUMBER: MSA-SBH	REV:	

SPECIFICATIONS ARE SUBJECT TO CHANGE WITHOUT NOTICE

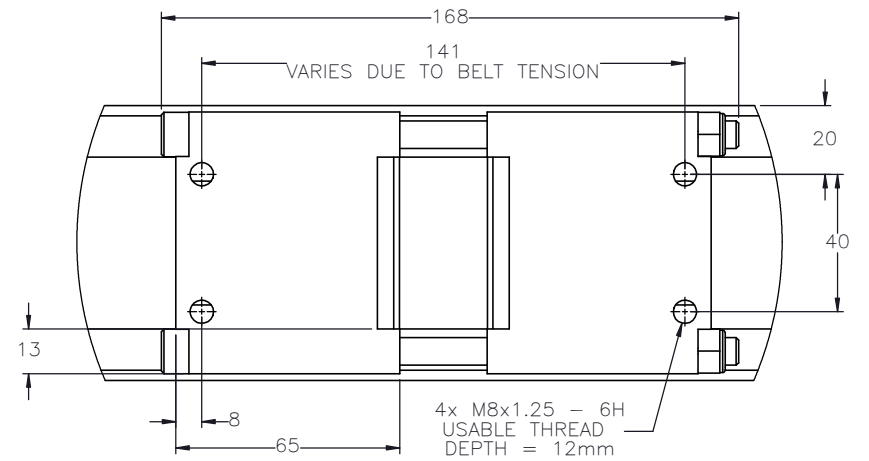
DOUBLE SHAFTED PULLEY



ACTUATOR BODY MOUNTING FEATURES T-NUT SLOTS



DETAILED CART VIEW A



MACRON DYNAMICS INC

DRAWN BY: PHW DATE: 11/26/2017 MATERIAL:
 CHECKED BY: -- DATE: DD/MM/YYYY
 LAST SAVED BY: Tim DATE: 8/6/2020
 UNLESS OTHERWISE SPECIFIED: .X ± .762
 DIMENSIONS ARE IN MILLIMETERS: .XX ± .254
 TOLERANCES UNLESS NOTED: .XXX ± .127
 OTHERWISE: ANG ± 0°30'

SURFACE FINISH ✓
 BREAK ALL SHARP EDGES
 DIMENSIONAL LIMITS APPLY AFTER FINISHING
 THIRD ANGLE PROJECTION

SHEET 2 OF 2

PART NUMBER MSA-SBH

TITLE:
 MACRON SINGLE BELT DRIVE 50H

SCALE 1:1 SHEET SIZE C