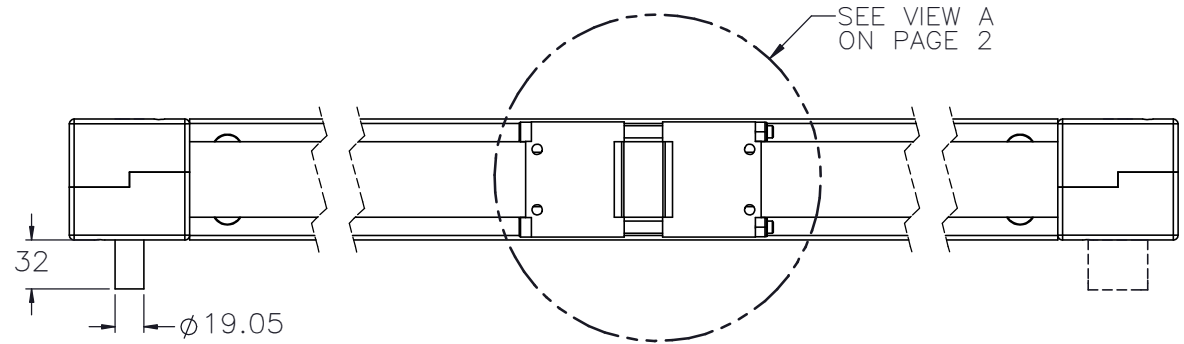
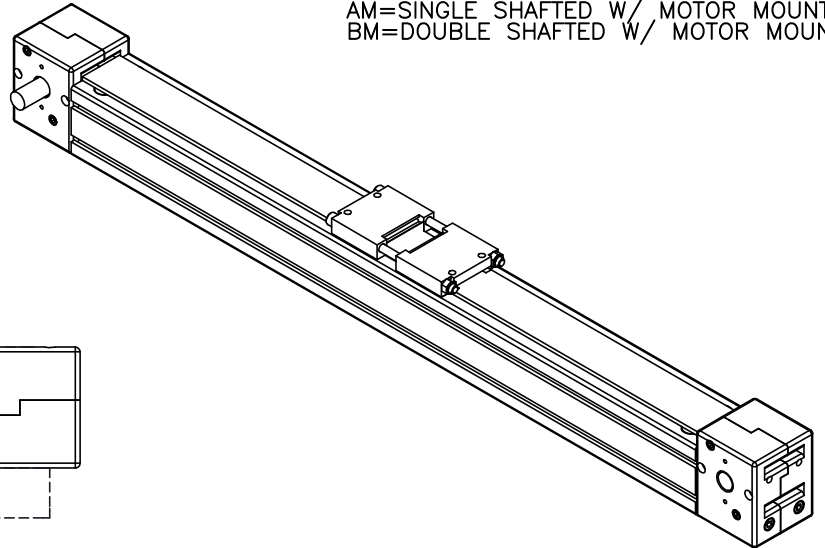


# MSA-SB5-G-BE- -

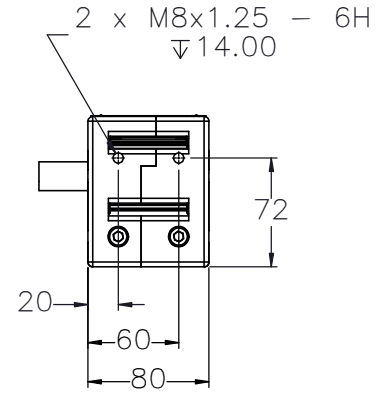
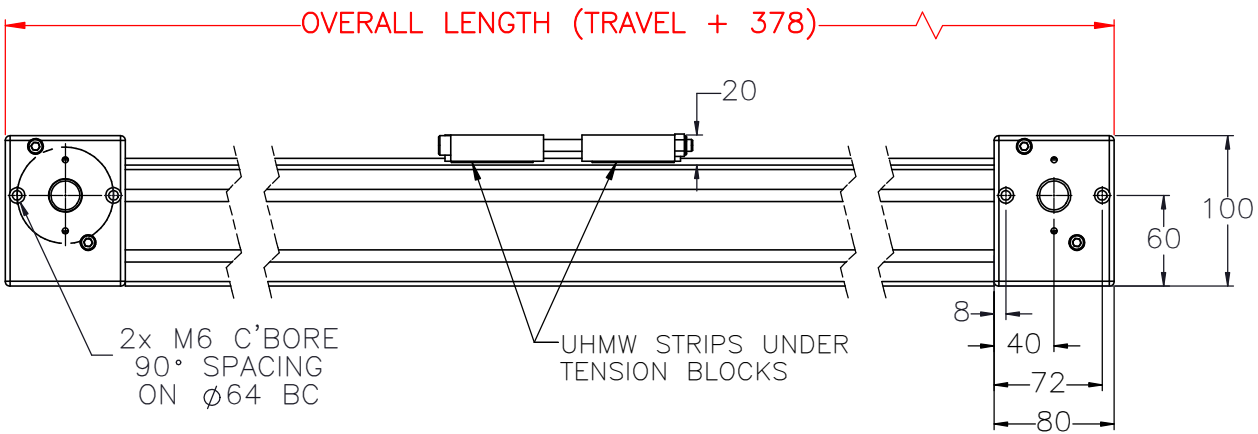
PULLEY PITCH DIAMETER	47.75mm (1.880")
PULLEY WIDTH	54.0mm (2.124")
PULLEY MATERIAL	STEEL
BELT WEIGHT (kg)	((TRAVEL IN METERS x 2)+.74) x .34
TRAVEL PER REV.	150mm
TRAVEL MIN.	150mm
TRAVEL MAX.	5775mm
TENSION ASSY WEIGHT (kg)	1.04kg
SYSTEM WEIGHT (kg)	(TRAVEL IN METERS x 5.5) + 6.7

ENTER  
TRAVEL IN INCREMENTS OF 25mm  
SELECT  
DRIVE SHAFT LOCATION\*  
SHAFTING TYPE  
AO=SINGLE SHAFTED  
BO=DOUBLE SHAFTED  
AM=SINGLE SHAFTED W/ MOTOR MOUNT  
BM=DOUBLE SHAFTED W/ MOTOR MOUNT



□ 1\*

□ 3\*



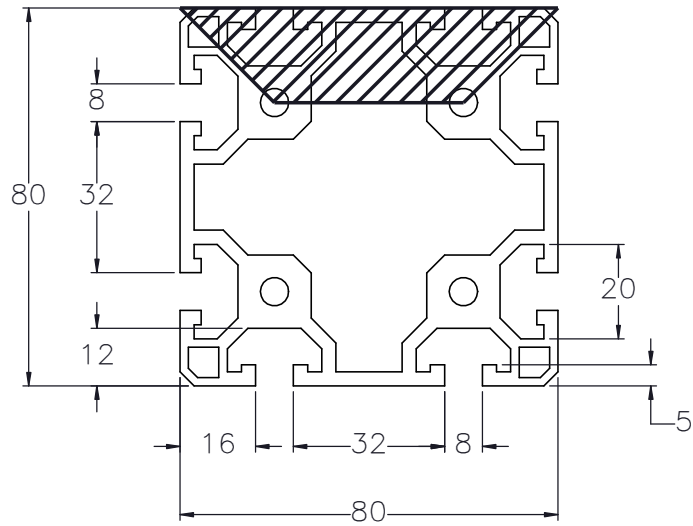
APPROVED: \_\_\_\_\_

DATE: \_\_\_\_\_

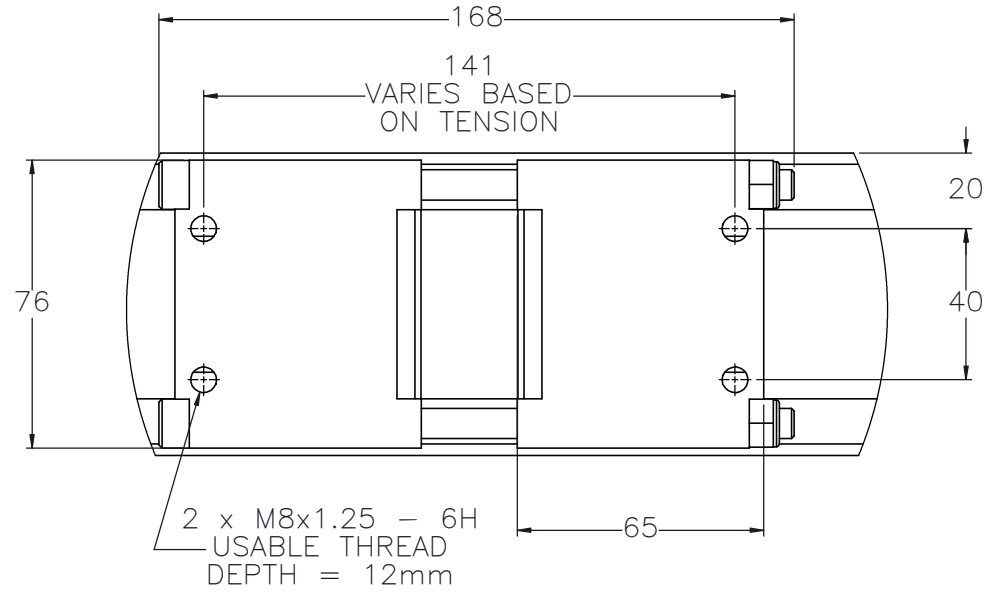
 <b>MACRON DYNAMICS INC</b>	DRAWN BY: PHW    DATE: 11/26/2017	MATERIAL:	TITLE: <b>MACRON SINGLE BELT DRIVE 50</b>
	CHECKED BY: --    DATE: DD/MM/YYYY		
	LAST SAVED BY: Tim    DATE: 8/6/2020	FINISH:	
	UNLESS OTHERWISE SPECIFIED: DIMENSIONS ARE IN MILLIMETER TOLERANCES UNLESS NOTED OTHERWISE:    .X ± .762 .XX ± .254 .XXX ± .127 ANG ± 0°30'	SURFACE FINISH    ✓ BREAK ALL SHARP EDGES DIMENSIONAL LIMITS APPLY AFTER FINISHING <b>THIRD ANGLE PROJECTION</b>	SHEET    PART NUMBER
THIS DRAWING IS THE PROPERTY OF MACRON DYNAMICS ANY REPRODUCTIONS SHALL BE FOR QUOTATION, MANUFACTURING OR PURCHASING PURPOSES ONLY. RELEASE OF DRAWINGS TO OTHER CONCERNS DOES NOT CONSTITUTE LICENSING IN ANY WAY. INFORMATION CONTAINED HEREIN IS PROPRIETARY AND CONFIDENTIAL.	1 OF 2	MSA-SB5	

SPECIFICATIONS ARE SUBJECT TO CHANGE WITHOUT NOTICE

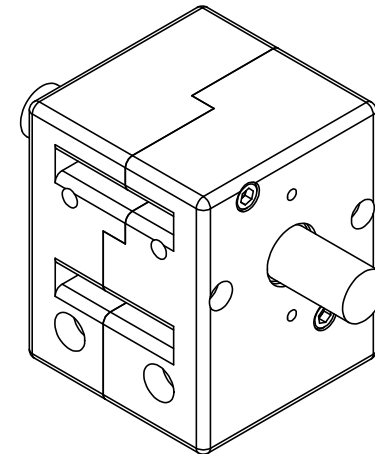
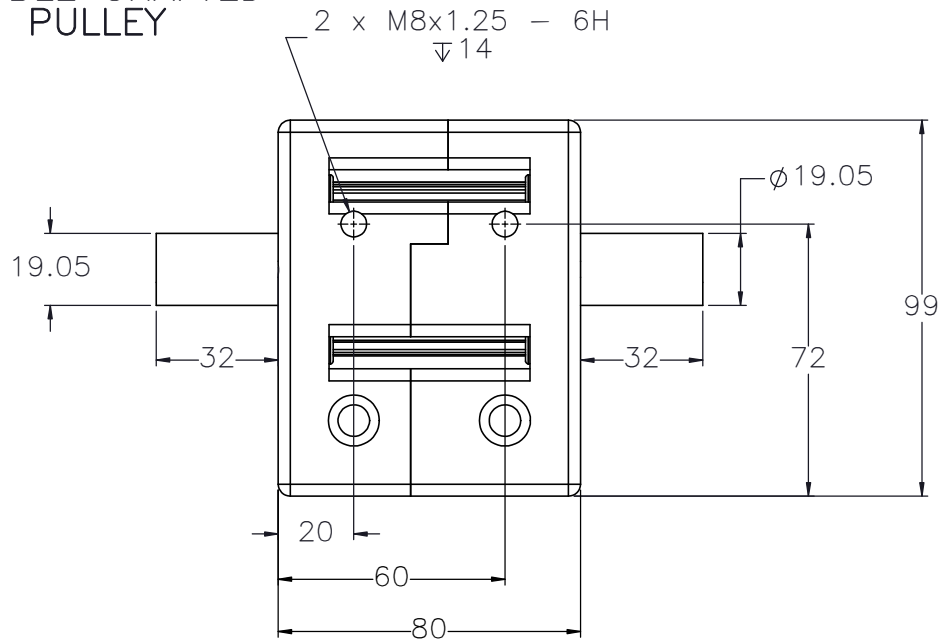
# ACTUATOR BODY MOUNTING FEATURES T-NUT SLOTS



# DETAILED CART VIEW A



# DOUBLE SHAFTED PULLEY



	DRAWN BY: PHW CHECKED BY: -- LAST SAVED BY: Tim	DATE: 11/26/2017 DATE: DD/MM/YYYY DATE: 8/6/2020	MATERIAL:  FINISH:	TITLE: MACRON SINGLE BELT DRIVE 50
	UNLESS OTHERWISE SPECIFIED: DIMENSIONS ARE IN MILLIMETER TOLERANCES UNLESS NOTED OTHERWISE:		.X ± .762 .XX ± .254 .XXX ± .127 ANG ± 0°30'	SCALE: 1:1 SHEET SIZE: C
	SURFACE FINISH: <input checked="" type="checkbox"/>		SHEET: 2 OF 2 PART NUMBER: MSA-SB5	REV:
	THIS DRAWING IS THE PROPERTY OF MACRON DYNAMICS. ANY REPRODUCTIONS SHALL BE FOR QUOTATION, MANUFACTURING OR PURCHASING PURPOSES ONLY. RELEASE OF DRAWINGS TO OTHER CONCERNS DOES NOT CONSTITUTE LICENSING IN ANY WAY. INFORMATION CONTAINED HEREIN IS PROPRIETARY AND CONFIDENTIAL.		BREAK ALL SHARP EDGES DIMENSIONAL LIMITS APPLY AFTER FINISHING THIRD ANGLE PROJECTION	

SPECIFICATIONS ARE SUBJECT TO CHANGE WITHOUT NOTICE