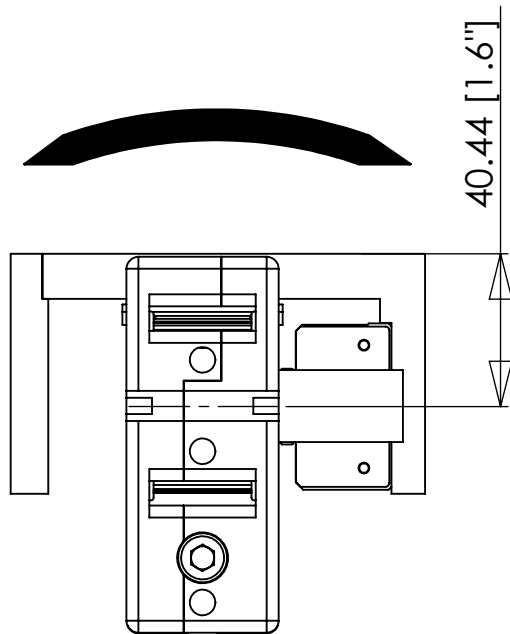
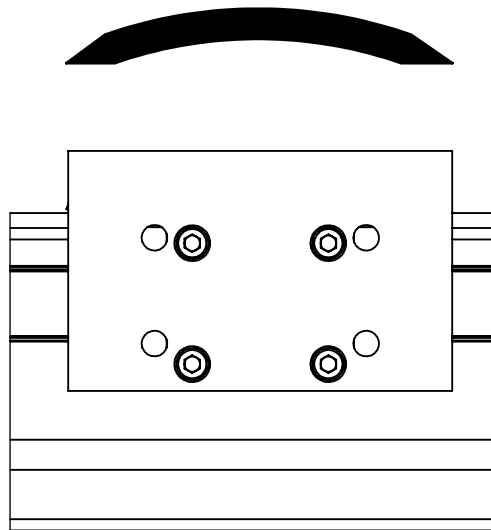


MOMENT LOADING FOR THE MSA-R6S ACTUATOR

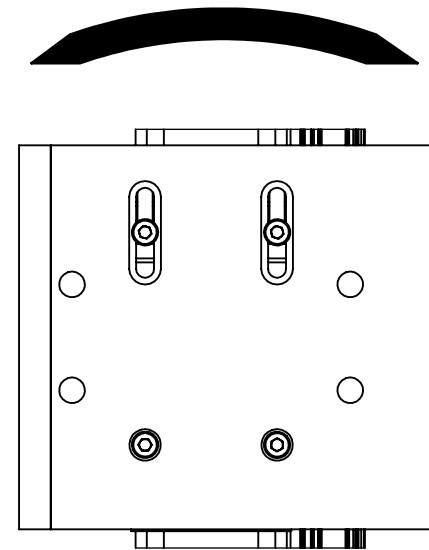
(CALCULATED FROM THE CENTERLINE OF THE GUIDE RAIL)



M_x (static) = 681 in-lbs, 77 Nm.
 M_x (dynamic) = 531 in-lbs, 60 Nm.



M_y (static) = 730 in-lbs, 82 Nm.
 M_y (dynamic) = 575 in-lbs, 65 Nm.



M_z (static) = 730 in-lbs, 82 Nm.
 M_z (dynamic) = 575 in-lbs, 65 Nm.



MACRON DYNAMICS INC