

MSA-14S-G-BC- -

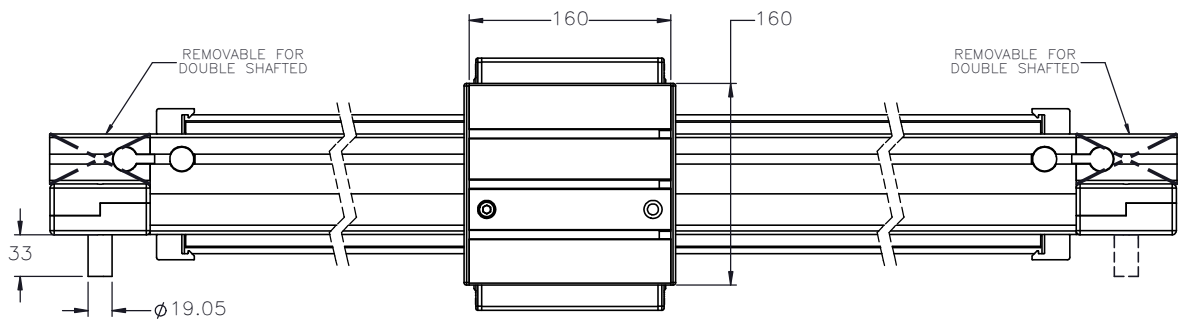
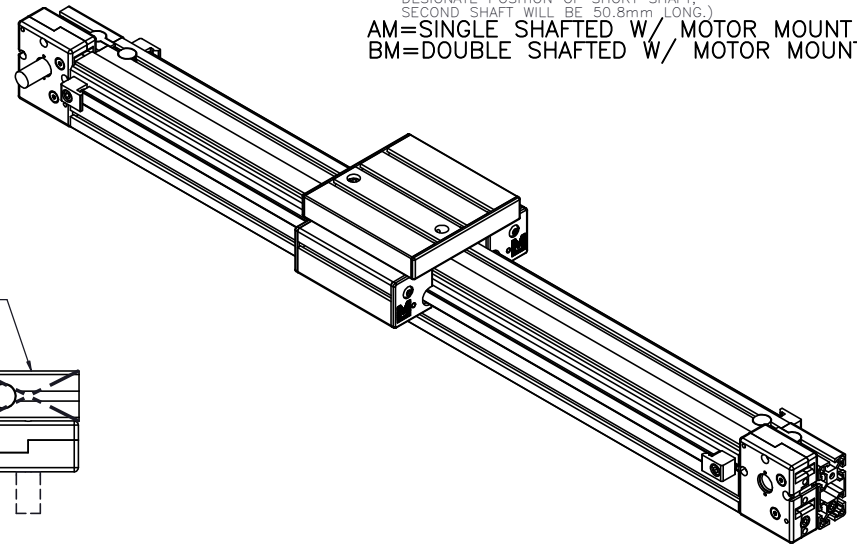
PULLEY PITCH DIAMETER	47.75mm (1.880")
PULLEY WIDTH	28.9mm (1.138")
PULLEY MATERIAL	STEEL
BELT WEIGHT (kg)	$((\text{TRAVEL IN METERS} \times 2) + .84) \times .12$
TRAVEL PER REV.	150mm
TRAVEL MIN.	150mm
TRAVEL MAX.	5725mm
CART WEIGHT (kg)	3.54kg
SYSTEM WEIGHT (kg)	$(\text{TRAVEL IN METERS} \times 5.9) + 8.2$

ENTER
TRAVEL IN INCREMENTS OF 25mm

SELECT
DRIVE SHAFT LOCATION*

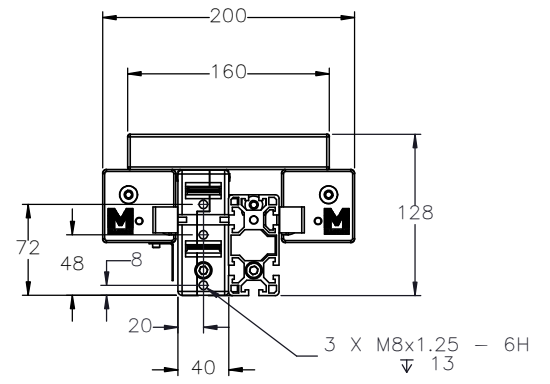
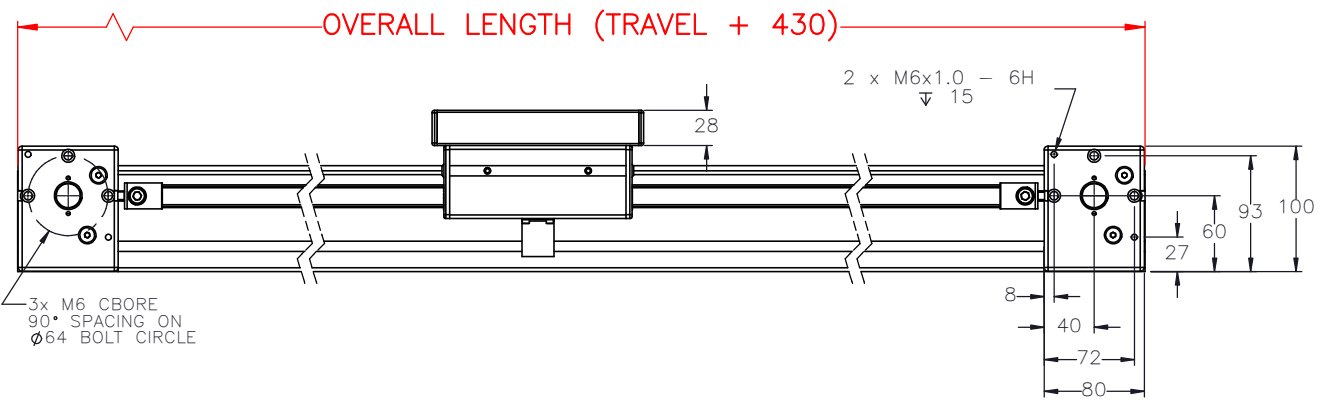
SHAFTING TYPE
AO= SINGLE SHAFTED
BO= DOUBLE SHAFTED

NOTE: (IF "B" IS USED THE NUMBER WILL DESIGNATE POSITION OF SHORT SHAFT. SECOND SHAFT WILL BE 50.8mm LONG.)
AM= SINGLE SHAFTED W/ MOTOR MOUNT
BM= DOUBLE SHAFTED W/ MOTOR MOUNT




1*

3*

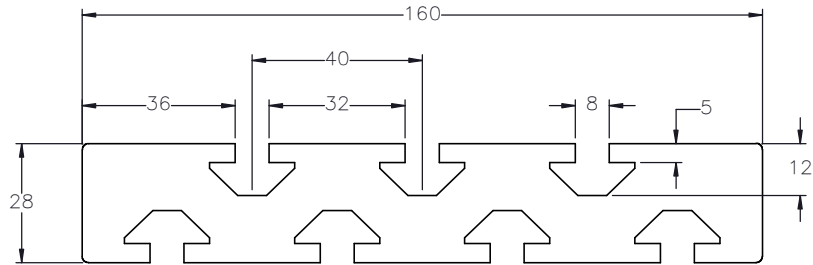


APPROVED: _____

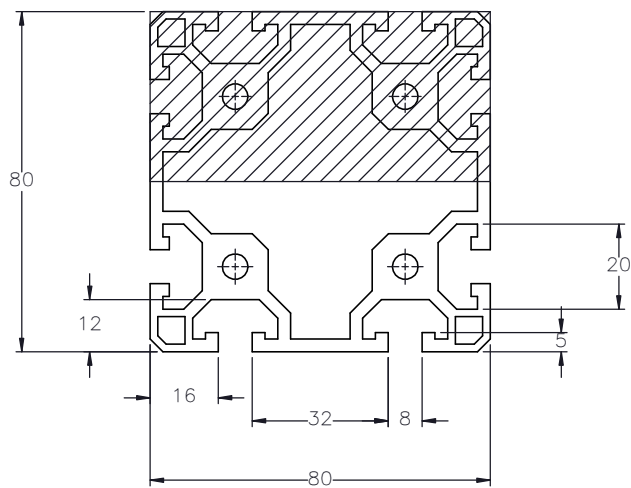
DATE: _____

 MACRON DYNAMICS INC	DRAWN BY: PHW DATE: 11/26/2017 CHECKED BY: -- DATE: DD/MM/YYYY LAST SAVED BY: Tim DATE: 8/3/2020	MATERIAL:	TITLE: MACRON 14S ACTUATOR
	UNLESS OTHERWISE SPECIFIED: DIMENSIONS ARE IN MILLIMETER TOLERANCES UNLESS NOTED: .XX ± .254 .XXX ± .127 OTHERWISE: ANG ± 0°30'	FINISH:	
	SURFACE FINISH ✓ BREAK ALL SHARP EDGES DIMENSIONAL LIMITS APPLY AFTER FINISHING	SHEET	
	THIRD ANGLE PROJECTION	PART NUMBER 1 OF 2	
SPECIFICATIONS ARE SUBJECT TO CHANGE WITHOUT NOTICE	SCALE: 1:1 SHEET SIZE: C		SHEET NUMBER MSA-14S

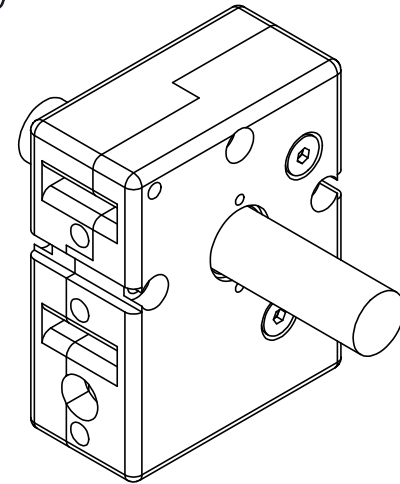
CART MOUNTING FEATURES T-NUT SLOTS



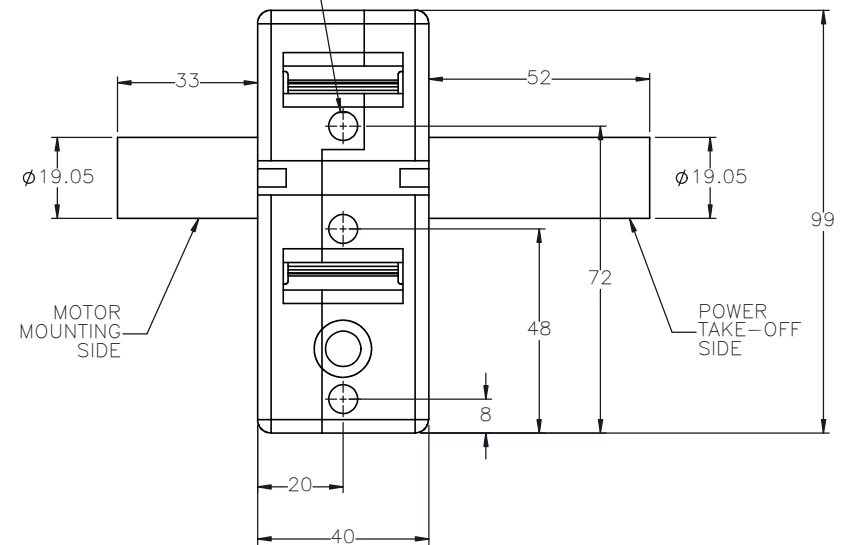
ACTUATOR BODY MOUNTING FEATURES T-NUT SLOTS



DOUBLE SHAFTED PULLEY



(3x) M8x1.25 - 6H ∇ 13



MOTOR
MOUNTING
SIDE

POWER
TAKE-OFF
SIDE



MACRON DYNAMICS INC

DRAWN BY: PHW	DATE: 11/26/2017	MATERIAL:
CHECKED BY: --	DATE: DD/MM/YYYY	
LAST SAVED BY: Tim	DATE: 8/3/2020	
UNLESS OTHERWISE SPECIFIED: DIMENSIONS ARE IN MILLIMETER TOLERANCES UNLESS NOTED OTHERWISE:		FINISH:
.X ± .762		
.XX ± .254		
.XXX ± .127		
ANG ± 0°30'		

TITLE:
MACRON 14S
ACTUATOR

THIS DRAWING IS THE PROPERTY OF MACRON DYNAMICS
ANY REPRODUCTIONS SHALL BE FOR QUOTATION,
MANUFACTURING OR PURCHASING PURPOSES ONLY.
RELEASE OF DRAWINGS TO OTHER CONCERNS DOES NOT
CONSTITUTE LICENSING IN ANY WAY. INFORMATION
CONTAINED HEREIN IS PROPRIETARY AND CONFIDENTIAL

SURFACE FINISH ∇
BREAK ALL SHARP EDGES
DIMENSIONAL LIMITS APPLY AFTER FINISHING
THIRD ANGLE PROJECTION

SHEET
2 OF 2

PART NUMBER
MSA-14S-G-BC-A01

SCALE 1:1 SHEET SIZE C

REV

SPECIFICATIONS ARE SUBJECT
TO CHANGE WITHOUT NOTICE