

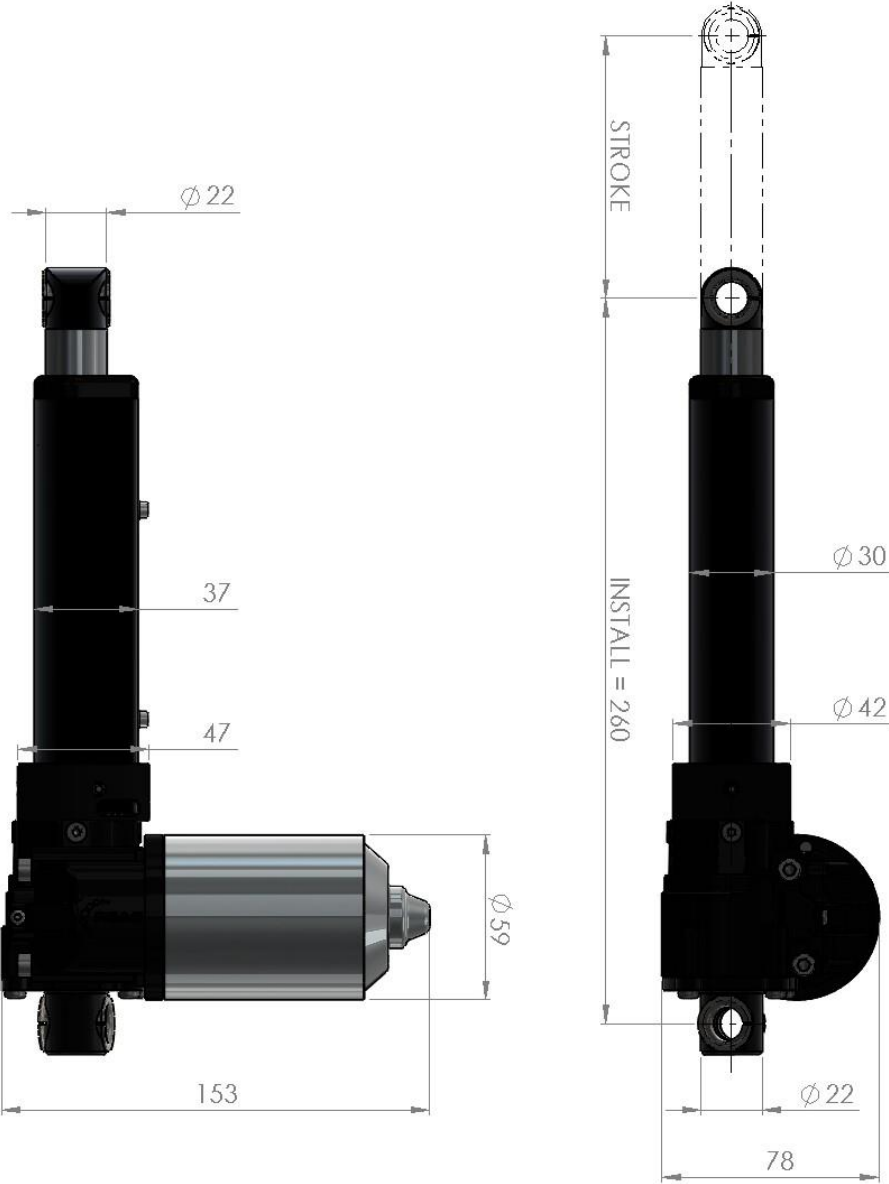
**Standard features**

Max push force	6000N
Max pull force	4000N
Max speed (full load)	3,7 - 5 mm/s
Max speed (no load)	4,5 - 7 mm/s
Min built in length	144 mm + stroke
Stroke lengths (mm)	50, 100, 150, 200, 250
IP-class	IPX1
Current consumption (full load)	3,9 – 6 A
Current consumption (no load)	0,6 – 1,2 A
Feedback & switches	Mechanical limit switch
Motor	24VDC standard, fast Angle: fixed 90°
Mounting brackets	cyl 10,0/12,0mm, fork 10,1mm. Angle for rear bracket: 0° or 90°
Connection	Cable 0,5m 2x0,75mm <sup>2</sup> (stripped ends)
Operating temperature	+5° to +40°C
Storage temperature	-40° to +70°C
Housing	Composite
Piston	Steel
Color	Black
Duty cycle	10%, max 2 min at continuous use followed by an 18 min rest

**Options**

Stroke lengths (mm)	Customizable
Protection class	-
Mounting brackets	Customizable
Connection & Cables	Customizable
Color	Customizable
Feedback & switches	Reed switch Hall sensor feedback, 1 or 2 channels Linear potentiometer
Motor	24VDC compact (outer diameter 59mm)

# Dimensions

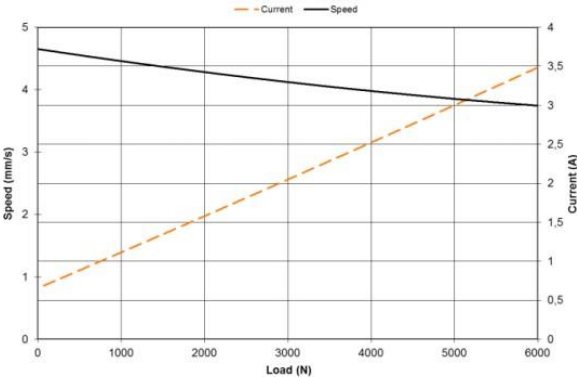


# Performance

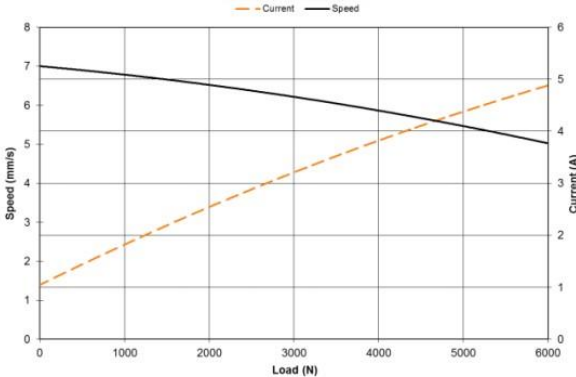
Chart showing speed and current for RE5004

Pitch [mm]	Max push force [N]	Max pull force [N]	Max self-locking push [N]	Speed at no/max force [mm/s]	Current consumption at no/max force [A]	DC motor [type]
3	6000	4000	6000	4,5 / 3,7	0,6 / 3,9	Standard
3	6000	4000	6000	7,0 / 5,0	1,2 / 6,0	Fast

RE5004 Tr12x3 standard motor



RE5004 Tr12x3 fast motor



Charts show average figures for 24V actuator using stabilized power supply. Figures all with ambient temperature of 20°C. Accuracy: ±5