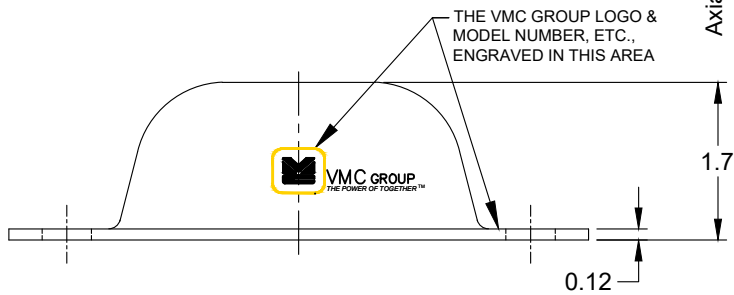
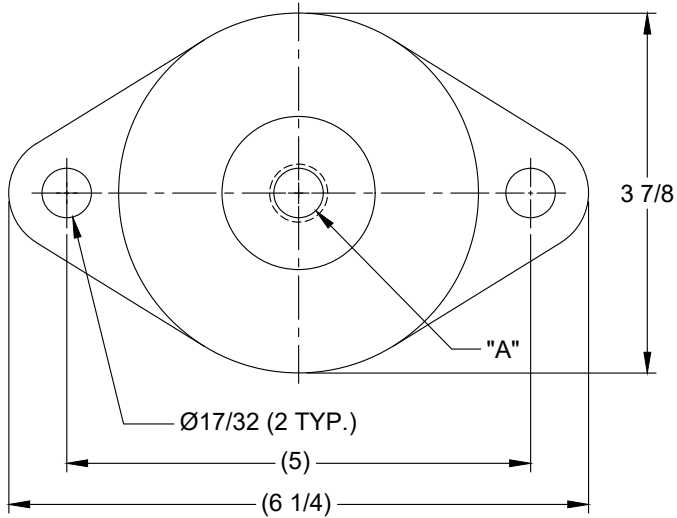
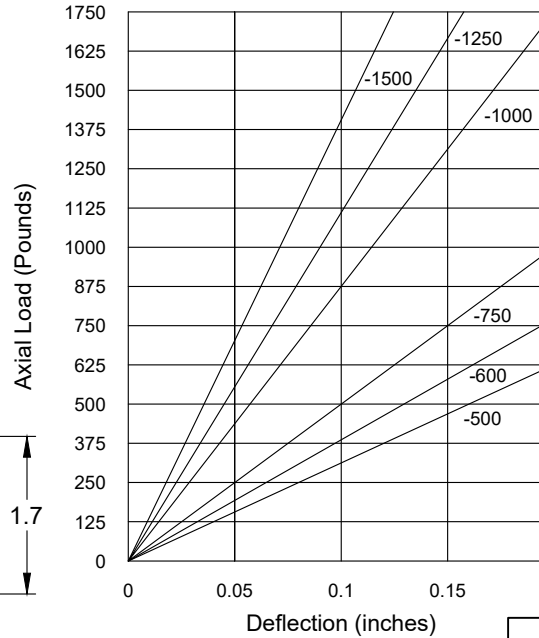


REV.	DESCRIPTION	DATE	BY



- NOTES:
1. ALL DIMENSIONS ARE IN INCHES. INTERPRET PER ANSI Y14.
  2. ALL DIMENSIONS ARE NOMINAL AND FOR REFERENCE ONLY.
  3. SPECIAL THREAD SIZE. CONTACT THE VMC GROUP FOR AVAILABILITY.
  4. COLOR-CODE "DOT" IS AN ACCEPTABLE ADDITION TO MODEL STAMPING.
  5. TEMPERATURE RESISTANCE: 485°F FOR 1 HOUR
  6. EHT=EXTREME HIGH TEMPERATURE SILICON COMPOUND

Axial Load Vs. Deflection



Axial Load Vs. Deflection

EHT			
PART NUMBER/MODEL DESIGNATION	MAX. COMPRESSION (LBS/KG)	MOUNT COLOR	DUROMETER
TTB -[**]-500 EHT	500 (227)	YELLOW	30
TTB -[**]-600 EHT	600 (272)	BLACK	40
TTB -[**]-750 EHT	750 (340)	WHITE	50
TTB -[**]-1000 EHT	1000 (454)	RED	60
TTB -[**]-1250 EHT	1250 (567)	GREEN	70
TTB -[**]-1500 EHT	1500 (681)	PURPLE	80

\*\* = SUFFIX DESIGNATION ON TABLE II 4

TABLE II

SUFFIX DESIGNATION	DIMENSION "A"
10	5/8-11UNC-2B
12	3/4-10UNC-2B
M16	M16 X 2-5H
M12	M12 X 1.75-5H
53	Ø .53



ISOLATOR SELECTIONS	
LOC 1:	LOC 2:
LOC 3:	LOC 4:
LOC 5:	LOC 6:
LOC 7:	LOC 8:
CUSTOMER EQP'T. TAG:	

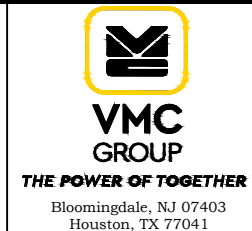
NOTE: MATERIAL SHOWN IS FOR (1) SET.

OTHER MATERIALS, COMPOUNDS, OR FINISHES WITH EQUAL OR SUPERIOR PROPERTIES MAY BE SUBSTITUTED AS THEY BECOME AVAILABLE.

**CERTIFIED FOR:**

JOB NAME: \_\_\_\_\_  
 CUSTOMER: \_\_\_\_\_  
 CUSTOMER P.O.: \_\_\_\_\_  
 SALES ORDER: \_\_\_\_\_

MODEL TTB 500-1500 LBS.  
 EHT SILICONE  
 CAPTIVE ELASTOMERIC ISOLATOR



SCALE:	NONE	Member <b>VISCMA</b>
SHEET:	1 OF 1	
DRAWING NO.:		REVISION