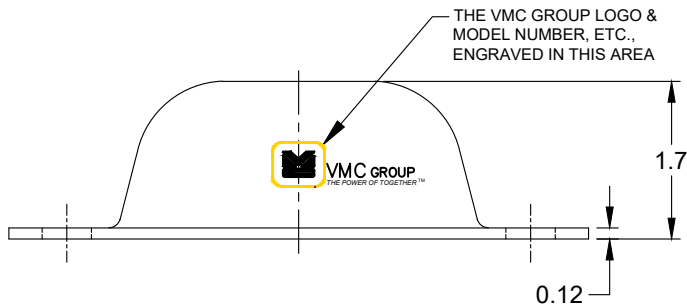
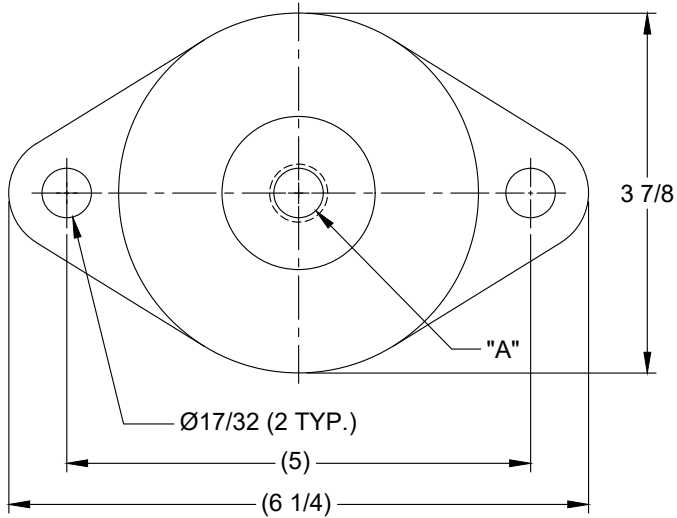
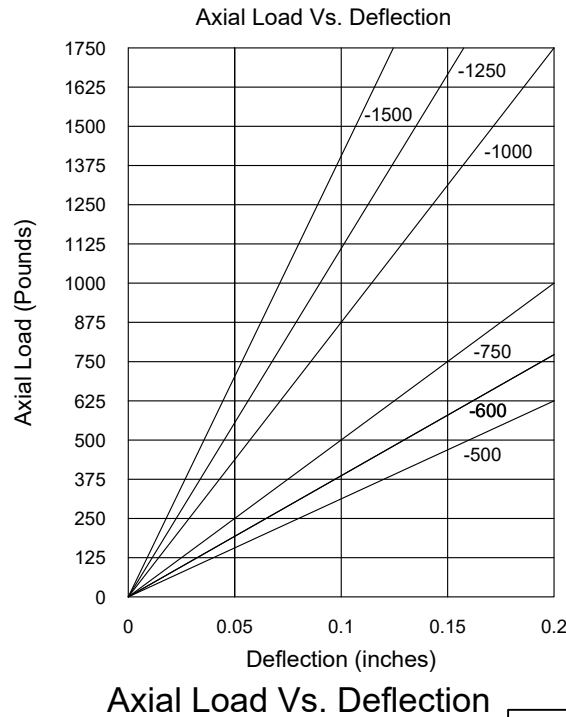


REV.	DESCRIPTION	DATE	BY



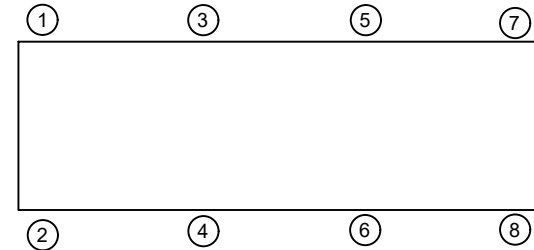
- NOTES:
1. ALL DIMENSIONS ARE IN INCHES. INTERPRET PER ANSI Y14.
 2. ALL DIMENSIONS ARE NOMINAL AND FOR REFERENCE ONLY.
 3. SPECIAL THREAD SIZE. CONTACT THE VMC GROUP FOR AVAILABILITY.
 4. COLOR-CODE "DOT" IS AN ACCEPTABLE ADDITION TO MODEL STAMPING.
 5. TEMPERATURE RESISTANCE: 485°F FOR 1 HOUR



DURULENE			
PART NUMBER/ MODEL DESIGNATION	MAX. COMPRESSION (LBS/KG)	MOUNT COLOR	DUROMETER
TTB -[**]-500WR	500 (227)	LIGHT BLUE	30
TTB -[**]-600WR	600 (272)	DARK BROWN	40
TTB -[**]-750WR	750 (340)	BRICK RED	50
TTB -[**]-1000WR	1000 (454)	LIME GREEN	60
TTB -[**]-1250WR	1250 (567)	CHARCOAL GRAY	70
P/N: 770077 -[**]-05WR	1500 (681)	PINK (DOT)	80
MD: TTB -[**]-1250WR			

** = SUFFIX DESIGNATION ON TABLE II

TABLE II	
SUFFIX DESIGNATION	DIMENSION "A"
10	5/8-11UNC-2B
12	3/4-10UNC-2B
M16	M16 X 2-5H
M12	M12 X 1.75-5H
53	Ø .53



ISOLATOR SELECTIONS	
LOC 1:	LOC 2:
LOC 3:	LOC 4:
LOC 5:	LOC 6:
LOC 7:	LOC 8:
CUSTOMER EQP'T. TAG:	

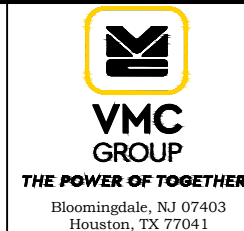
NOTE: MATERIAL SHOWN IS FOR (1) SET.

OTHER MATERIALS, COMPOUNDS, OR FINISHES WITH EQUAL OR SUPERIOR PROPERTIES MAY BE SUBSTITUTED AS THEY BECOME AVAILABLE.

CERTIFIED FOR:

JOB NAME: _____
 CUSTOMER: _____
 CUSTOMER P.O.: _____
 SALES ORDER: _____

**MODEL TTB 500-1500 LBS.
 DURULENE
 CAPTIVE ELASTOMERIC ISOLATOR**



SCALE:	NONE	Member VISCMA
SHEET:	1 OF 1	
DRAWING NO.:		REVISION