

REV.	DESCRIPTION	DATE	BY

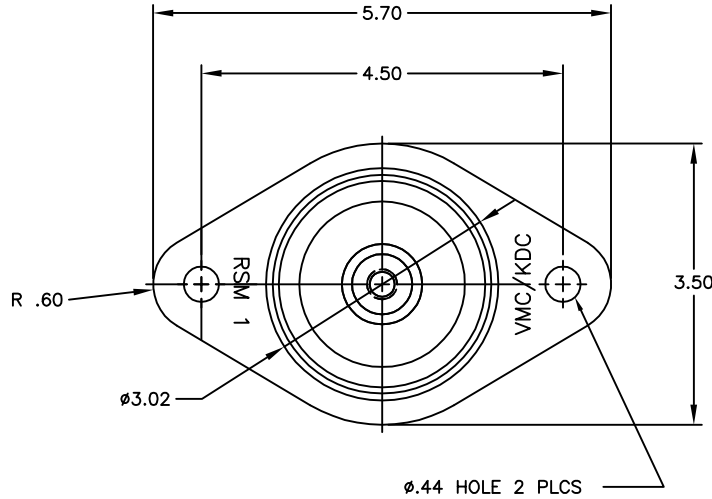
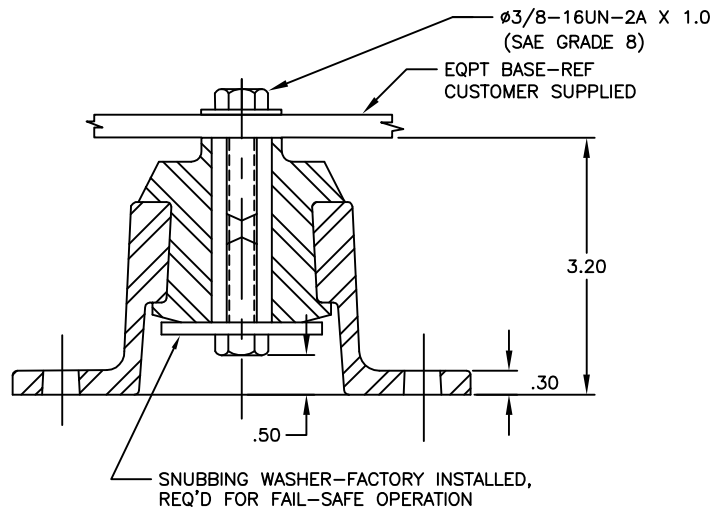


TABLE 1

PART NUMBER	MODEL DESIGNATION	RATED MAX LOAD (LBS) AXIAL	RATED DEFL. AT MAX. LOAD (IN.) AXIAL	MAX. AXIAL DEFL. (IN.)	ELASTOMER COLOR
107A-100187-01	RSM1-120-EHT	120	.15 NOMINAL	.50	DARK BLUE
107A-100187-02	RSM1-200-EHT	200	.12-.15	.50	LIGHT BLUE
107A-100187-03	RSM1-250-EHT	250	.15 NOMINAL	.50	ORANGE
107A-100187-04	RSM1-400-EHT	400	.15-.17	.50	RED



NOTES:

1. DIMENSIONS FOR CUSTOMER REFERENCE.
2. TABLE 1 IS AVERAGE DESIGN DATA FOR REFERENCE.
3. MOLDED METAL AND ELASTOMER MOUNT, DESIGNED FOR "FAIL-SAFE", "CAPTIVE", "MOBILE" OR "SEISMIC" APPLICATIONS. CONSULT VMC FOR SPECIFIC APPLICABILITY AND LIMITS.
4. HIGH TEMPERATURE LIMIT 450°F UNDER MOST CONDITIONS.
5. NOMINAL DESIGN AXIAL/RADIAL STIFFNESS RATIO 1:2
6. WEIGHT, 2.9 LBS APPROXIMATE.

OTHER MATERIALS, COMPOUNDS, OR FINISHES WITH EQUAL OR SUPERIOR PROPERTIES MAY BE SUBSTITUTED AS THEY BECOME AVAILABLE.

CERTIFIED FOR:

JOB NAME: \_\_\_\_\_  
 CUSTOMER : \_\_\_\_\_  
 CUSTOMER P.O.: \_\_\_\_\_  
 SALES ORDER: \_\_\_\_\_

MODEL RSM1 120-400 LBS.  
 SEISMIC ELASTOMERIC SHOCK AND  
 VIBRATION ISOLATOR  
 EXTREME HIGH TEMPERATURE



**THE VMC GROUP**  
*The Power of Together*  
 Bloomingdale, NJ 07403  
 Houston, TX 77041

SCALE :

NONE

SHEET:



DRAWING NO.:

REVISION