

REV.	DESCRIPTION	DATE	BY

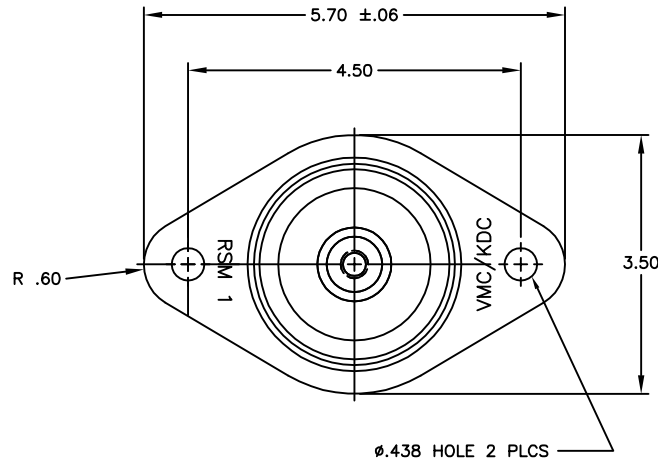
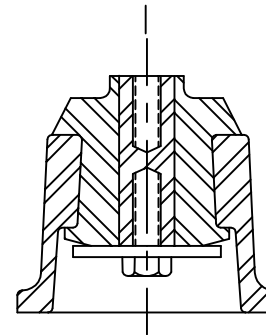
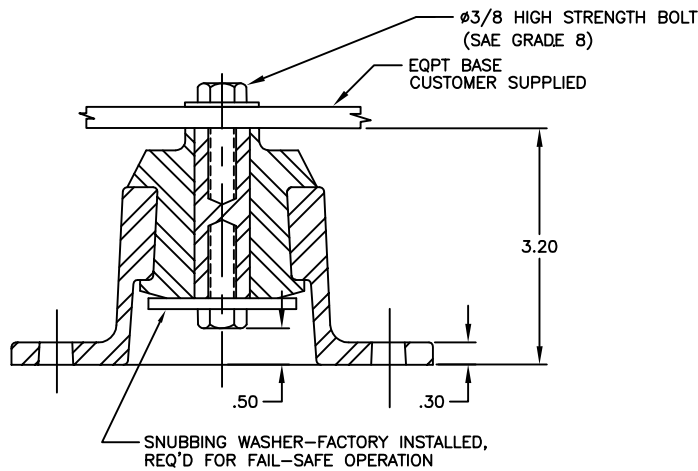


TABLE 1

PART NUMBER	MODEL DESIGNATION	LOAD RANGE (LBS)	DEFLECTION LOAD (IN.) AXIAL	MAX AXIAL DEFLECTION (IN.)	COLOR CODE
770069-1	RSM1-120	120	0.15	0.50	WHITE
770069-2	RSM1-200	200	.12-.15	0.50	RED
770069-3	RSM1-250	250	0.15	0.50	GREEN
770069-4	RSM1-400	400	.15-.17	0.50	PURPLE

NOTES:

1. DIMENSIONS FOR CUSTOMER REFERENCE.
2. TABLE 1 IS AVERAGE DESIGN DATA FOR REFERENCE.
3. MOLDED METAL AND ELASTOMER MOUNT, DESIGNED FOR "FAIL-SAFE", "CAPTIVE", "MOBILE" OR "SEISMIC" APPLICATIONS. CONSULT VMC FOR SPECIFIC APPLICABILITY AND LIMITS.
4. ALL DIMENSIONS ARE IN INCHES. INTERPRET PER ANSI Y14.
5. NOMINAL DESIGN AXIAL/RADIAL STIFFNESS RATIO 1:2
6. WEIGHT, 2.9 LBS APPROXIMATE.



OTHER MATERIALS, COMPOUNDS, OR FINISHES WITH EQUAL OR SUPERIOR PROPERTIES MAY BE SUBSTITUTED AS THEY BECOME AVAILABLE.

CERTIFIED FOR:

JOB NAME: _____
 CUSTOMER : _____
 CUSTOMER P.O.: _____
 SALES ORDER: _____

**MODEL RSM1 120-400 LBS.
 RESTRAINED ELASTOMERIC ISOLATOR**



THE VMC GROUP
The Power of Together
 Bloomingdale, NJ 07403
 Houston, TX 77041

SCALE :

NONE

SHEET:



DRAWING NO.:

REVISION