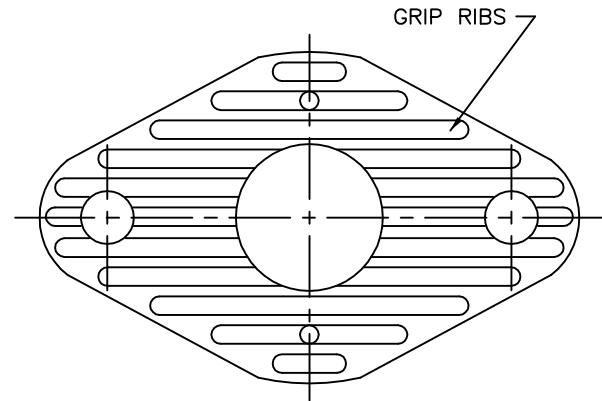
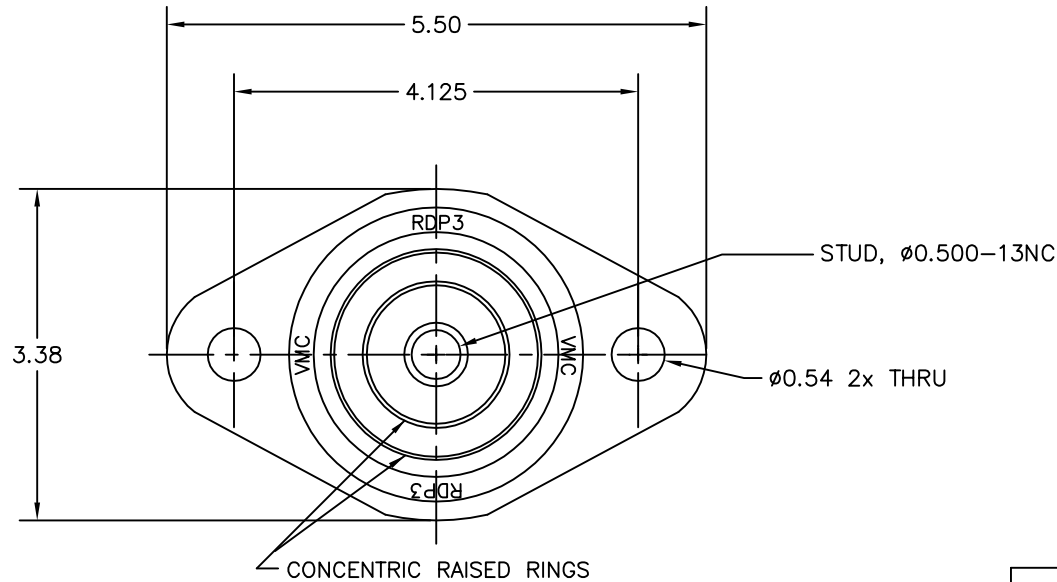


114R-103767 REV.: 1

REV.	DESCRIPTION	DATE	BY

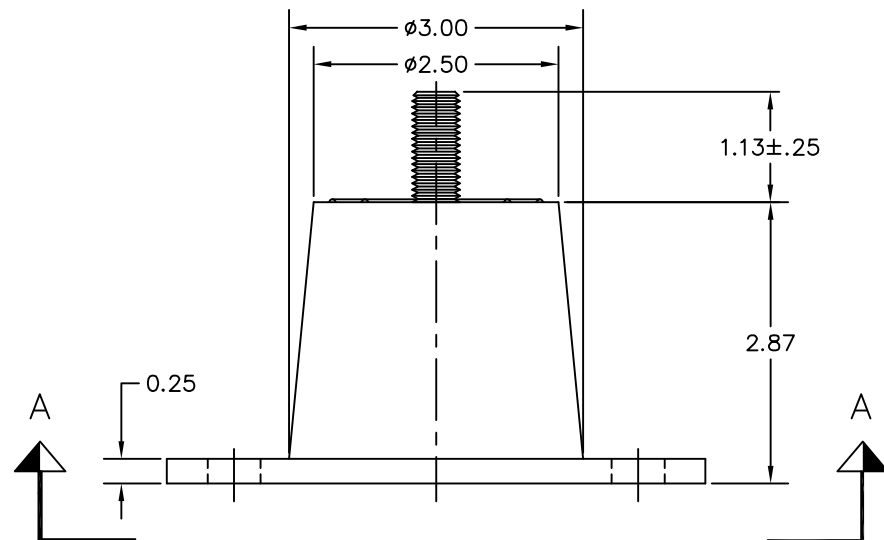


VIEW "A-A"

TABLE 1

PART NUMBER	MODEL/COLOR	RATED AXIAL LOAD-LBS	DEFLECTION AT RATED LOAD INCHES
114A-100423-01	RDP3-BLUE-WR	Δ	Δ
114A-100423-02	RDP3-BROWN-WR	250	0.50
114A-100423-03	RDP3-RED-WR	525	0.50
114A-100423-04	RDP3-GREEN-WR	750	0.50
114A-100423-05	RDP3-GRAY-WR	1500	0.50
114A-100423-06	RDP3-PURPLE-WR	Δ	0.50

AXIAL TO RADIAL SPRING RATE (K) RATIO 3:1 NOMINAL



- NOTES:
1. DIMENSIONS FOR CUSTOMER REFERENCE
 2. TABLE 1 IS AVERAGE DESIGN DATA FOR REFERENCE.
 3. MOLDED STEEL AND ELASTOMER MOUNT FORNON-FAIL SAFE, OUTDOOR SERVICE CONDITIONS.
 4. CONSULT VMC FOR APPLICABILITY
- Δ CONTACT VMC FOR APPLICABLE RATED LOAD AND DEFLECTION.

OTHER MATERIALS, COMPOUNDS, OR FINISHES WITH EQUAL OR SUPERIOR PROPERTIES MAY BE SUBSTITUTED AS THEY BECOME AVAILABLE.

CERTIFIED FOR:

JOB NAME: _____
 CUSTOMER: _____
 CUSTOMER P.O.: _____
 SALES ORDER: _____

**MODEL RDP3 250-1500 LBS.
 DURULENE ELASTOMERIC ISOLATOR
 WITH POSITIONING PIN
 0.50 INCH DEFLECTION**



THE VMC GROUP
The Power of Together
 Bloomingdale, NJ 07403
 Houston, TX 77041

SCALE:

NONE

SHEET:



DRAWING NO.:

REVISION