

REV.	DESCRIPTION	DATE	BY

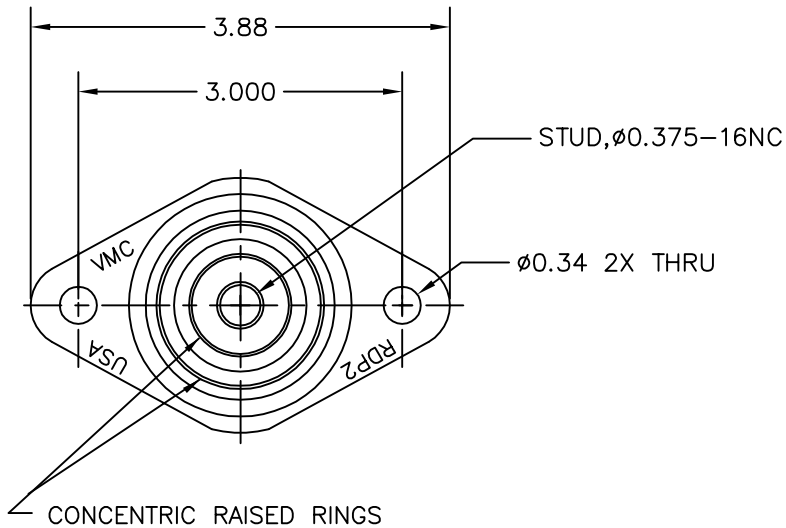
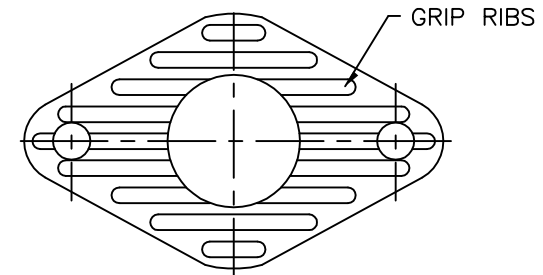


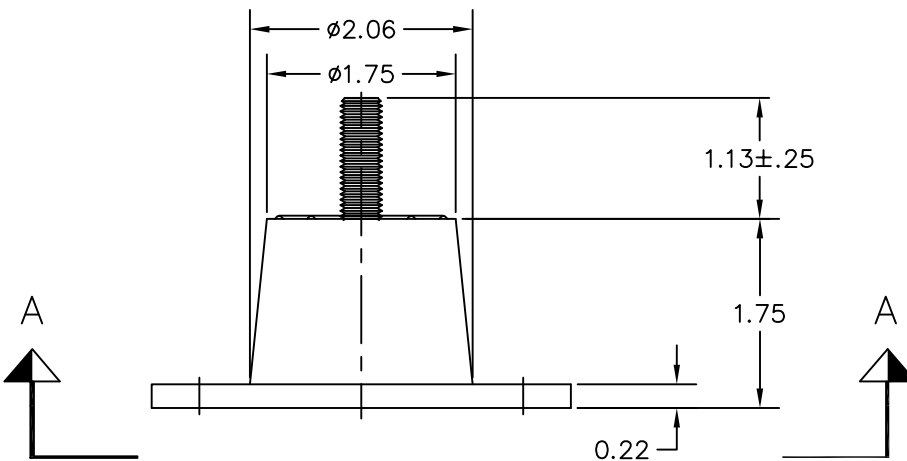
TABLE 1

PART NUMBER	MODEL	RATED AXIAL LOAD-LBS	DEFLECTION AT RATED LOAD-INCHES
114A-100421-01	RDP2-BLUE-WR	135	0.50
114A-100421-02	RDP2-BROWN-WR	170	0.50
114A-100421-03	RDP2-RED-WR	240	0.50
114A-100421-04	RDP2-GREEN-WR	380	0.50
114A-100421-05	RDP2-GRAY-WR	790	0.50
114A-100421-06	RDP2-PURPLE-WR		0.50

AXIAL TO RADIAL SPRING RATE (K) RATIO 3:1 NOMINAL



VIEW "A-A"



NOTES:

1. DIMENSIONS FOR CUSTOMER REFERENCE
2. TABLE 1 IS AVERAGE DESIGN DATA FOR REFERENCE.
3. MOLDED STEEL AND ELASTOMER MOUNT FOR NON-FAIL SAFE, OUTDOOR SERVICE CONDITIONS.
4. CONSULT VMC FOR APPLICABILITY
5. CONTACT VMC FOR APPLICABLE RATED LOAD.

OTHER MATERIALS, COMPOUNDS, OR FINISHES WITH EQUAL OR SUPERIOR PROPERTIES MAY BE SUBSTITUTED AS THEY BECOME AVAILABLE.

**CERTIFIED FOR:**

JOB NAME: \_\_\_\_\_  
 CUSTOMER: \_\_\_\_\_  
 CUSTOMER P.O.: \_\_\_\_\_  
 SALES ORDER: \_\_\_\_\_

**MODEL RDP2 135-790 LBS.  
 DURULENE ELASTOMERIC ISOLATOR  
 WITH POSITIONING PIN  
 0.50 INCH DEFLECTION**



**THE VMC GROUP**  
*The Power of Together*  
 Bloomingdale, NJ 07403  
 Houston, TX 77041

SCALE:

NONE

SHEET:



DRAWING NO.:

REVISION