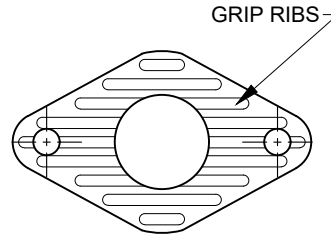
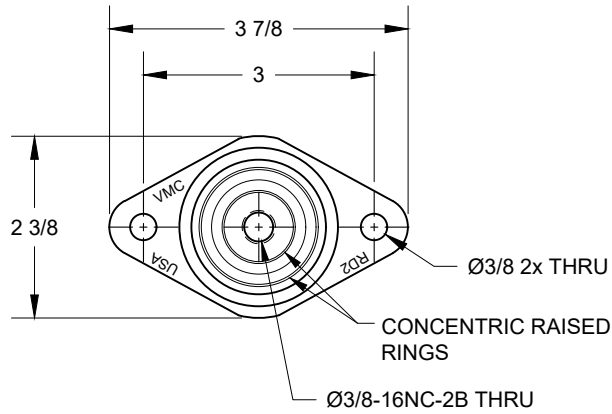
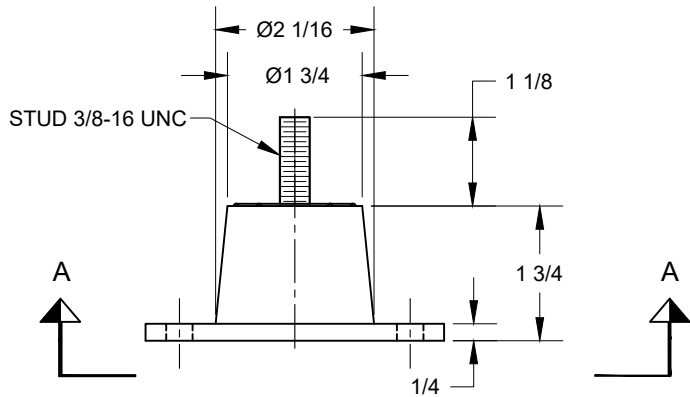


| REV. | DESCRIPTION | DATE | BY |
|------|-------------|------|----|
|      |             |      |    |

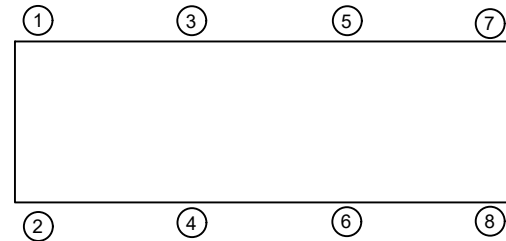


VIEW A-A



- NOTES:
1. ALL DIMENSIONS ARE IN INCHES, INTERPRET PER ANSI Y14.
  2. STANDARD FINISH: HARDWARE ZINC-ELECTROPLATE
  3. MOLDED STEEL AND ELASTOMER MOUNT FOR NON-FAIL SAFE, OUTDOOR SERVICE CONDITIONS. CONSULT VMC FOR APPLICABILITY.

| MODEL, ELASTOMERIC, RDP2 FOR 1/2" DEFLECTION |            |                      |          |                  |
|--|------------|----------------------|----------|------------------|
| PART NUMBER                                  | MODEL      | RATED AXIAL LOAD-LBS | DURO ±5% | RATED DEFLECTION |
| 330248                                       | RDP2-BLUE  | 135                  | 30       | 0.5              |
| 330140                                       | RDP2-BLACK | 170                  | 40       | 0.5              |
| 330043                                       | RDP2-RED   | 240                  | 50       | 0.5              |
| 330930                                       | RDP2-GREEN | 380                  | 60       | 0.5              |
| 330833                                       | RDP2-GRAY  | 550                  | 70       | 0.5              |



| ISOLATOR SELECTIONS |        |
|---------------------|--------|
| LOC 1:              | LOC 2: |
| LOC 3:              | LOC 4: |
| LOC 5:              | LOC 6: |
| LOC 7:              | LOC 8: |
| CUSTOMER EQPT. TAG: |        |

NOTE: MATERIAL SHOWN IS FOR (1) SET.

OTHER MATERIALS, COMPOUNDS, OR FINISHES WITH EQUAL OR SUPERIOR PROPERTIES MAY BE SUBSTITUTED AS THEY BECOME AVAILABLE.

**CERTIFIED FOR:**

JOB NAME: \_\_\_\_\_  
 CUSTOMER: \_\_\_\_\_  
 CUSTOMER P.O.: \_\_\_\_\_  
 SALES ORDER: \_\_\_\_\_

MODEL RDP2 135-550 LBS.  
 ELASTOMERIC ISOLATOR  
 WITH POSITIONING PIN  
 FOR 1/2" DEFLECTION



**VMC GROUP**  
 THE POWER OF TOGETHER

Bloomington, NJ 07403  
 Houston, TX 77041

SCALE:

NONE

SHEET:

1 OF 1



DRAWING NO.:

REVISION