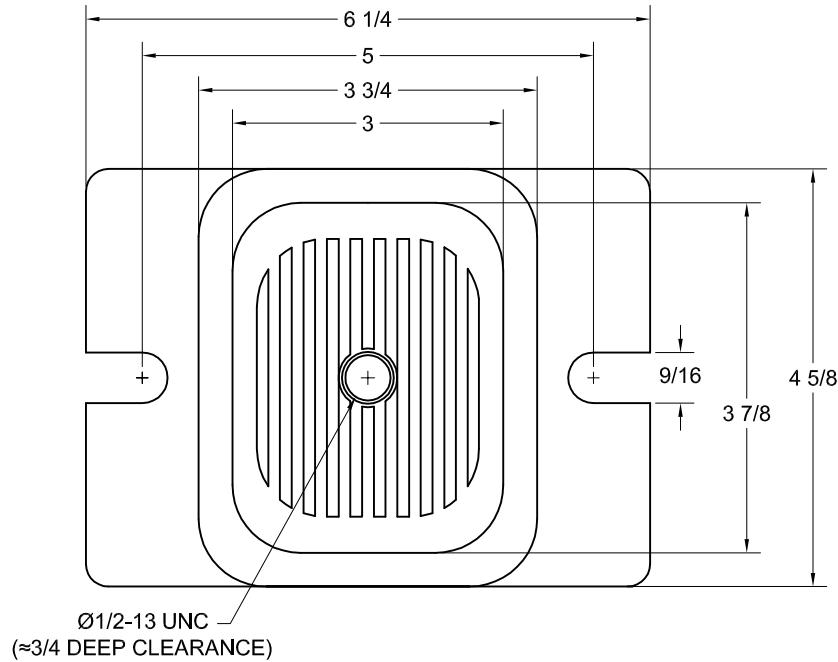
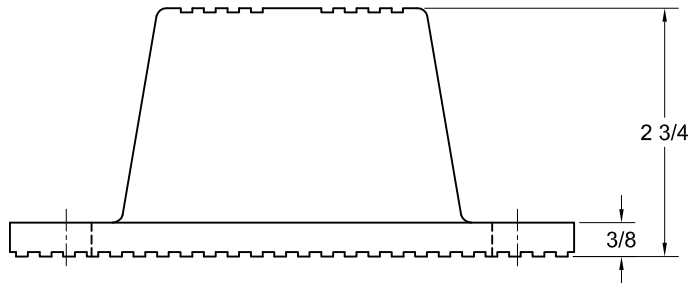
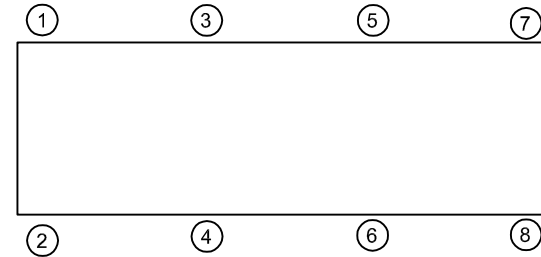


REV.	DESCRIPTION	DATE	BY



PART NUMBER	MODEL	RATED AXIAL LOAD (LBS.)	DEFLECTION
114A-100321-07	RD4-LIGHT BLUE-WR	750	0.5
114A-100321-08	RD4-DK BROWN-WR	1500	0.5
114A-100321-09	RD4-RUST RED-WR	2250	0.5
114A-100321-10	RD4-LIME GREEN-WR	3000	0.5
114A-100321-11	RD4-CHARCOAL GRAY-WR	4000	0.5
114A-100321-12	RD4-PURPLE-WR	6000	0.5



ISOLATOR SELECTIONS	
LOC 1:	LOC 2:
LOC 3:	LOC 4:
LOC 5:	LOC 6:
LOC 7:	LOC 8:
CUSTOMER EQPT. TAG:	

NOTE: MATERIAL SHOWN IS FOR (1) SET.

NOTES:

1. ALL DIMENSIONS ARE NOMINAL IN INCHES, INTERPRET PER ANSI Y14.
2. MOLDED STEEL AND ELASTOMERIC ISOLATOR NON FAIL SAFE, SERVICE CONDITIONS. CONTACT THE VMC GROUP FOR APPLICABILITY
3. MODEL COLORS ARE ACTUAL MOUNT COLOR IN ADDITION TO MODEL TYPE STAMPING
4. ADDITIONAL ELASTOMER TYPES & CAPACITIES AVAILABLE, CONTACT THE VMC GROUP FOR APPLICABILITY.

OTHER MATERIALS, COMPOUNDS, OR FINISHES WITH EQUAL OR SUPERIOR PROPERTIES MAY BE SUBSTITUTED AS THEY BECOME AVAILABLE.

CERTIFIED FOR:

JOB NAME: _____
 CUSTOMER: _____
 CUSTOMER P.O.: _____
 SALES ORDER: _____

MODEL RD4 750-6000 LBS.
 DURULENE ELASTOMERIC ISOLATOR
 0.5 INCH DEFLECTION



THE VMC GROUP
The Power of Together
 Bloomingdale, NJ 07403
 Houston, TX 77041

SCALE:

NONE

SHEET:



DRAWING NO.:

REVISION