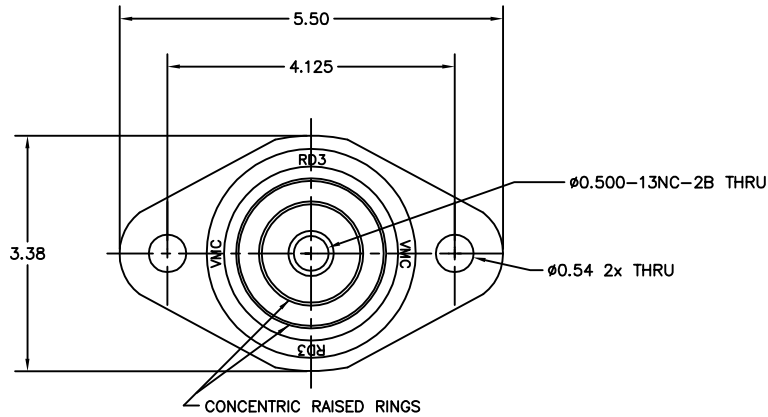
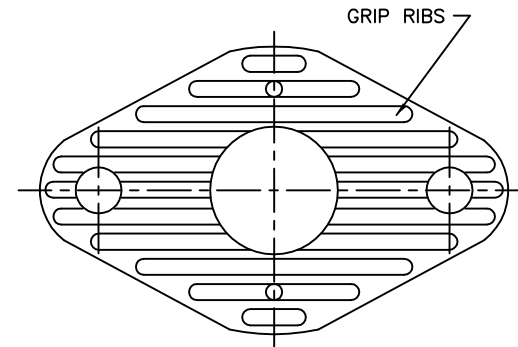
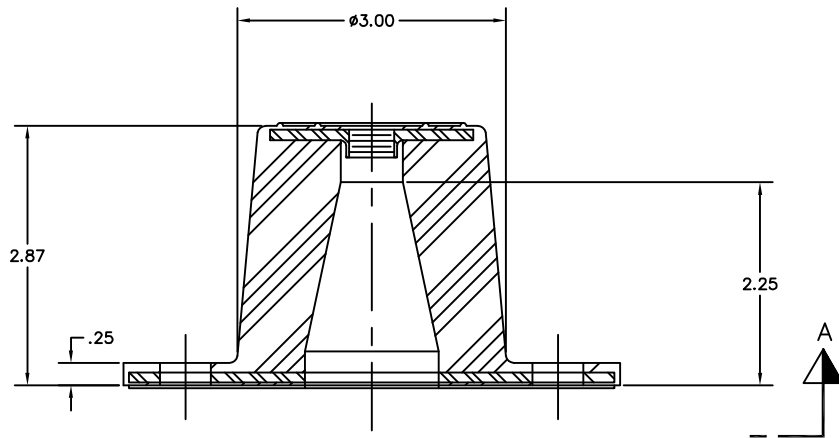


114R-103978 REV.: 2

REV.	DESCRIPTION	DATE	BY



MODEL, ELASTOMERIC, RD3				
PART NUMBER	MODEL	RATED AXIAL	SHORE A DURO ±5	RATED DEFLECTION
330167	RD3-BLACK	250	40	0.50
330957	RD3-RED	525	50	0.50
330752	RD3-GREEN	750	60	0.50
330655	RD3-GRAY	1100	70	0.50



VIEW "A-A"

NOTES:

1. ALL DIMENSIONS ARE NOMINAL IN INCHES. INTERPRET PER ANSI Y14.
2. MOLDED STEEL AND ELASTOMERIC ISOLATOR NON FAIL SAFE, SERVICE CONDITIONS. CONTACT THE VMC GROUP FOR APPLICABILITY
3. MODEL COLORS ARE MOUNT IDENTIFICATION MARKINGS WHICH ARE AN ACCEPTABLE ADDITION TO MODEL TYPE STAMPING
4. ADDITIONAL ELASTOMER TYPES & CAPACITIES AVAILABLE, CONTACT THE VMC GROUP FOR APPLICABILITY.

OTHER MATERIALS, COMPOUNDS, OR FINISHES WITH EQUAL OR SUPERIOR PROPERTIES MAY BE SUBSTITUTED AS THEY BECOME AVAILABLE.

CERTIFIED FOR:

JOB NAME: \_\_\_\_\_  
 CUSTOMER : \_\_\_\_\_  
 CUSTOMER P.O.: \_\_\_\_\_  
 SALES ORDER: \_\_\_\_\_

MODEL RD3 250-1100 LBS.  
 ELASTOMERIC ISOLATOR  
 0.5 INCH DEFLECTION



**THE VMC GROUP**  
*The Power of Together*  
 Bloomingdale, NJ 07403  
 Houston, TX 77041

SCALE :

NONE

SHEET:



DRAWING NO.:

REVISION