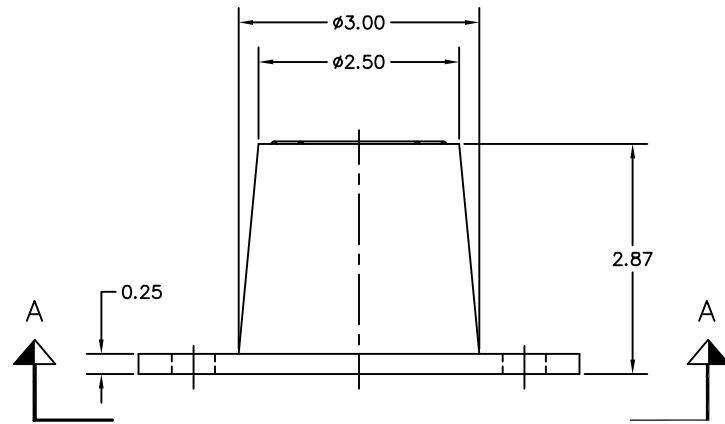
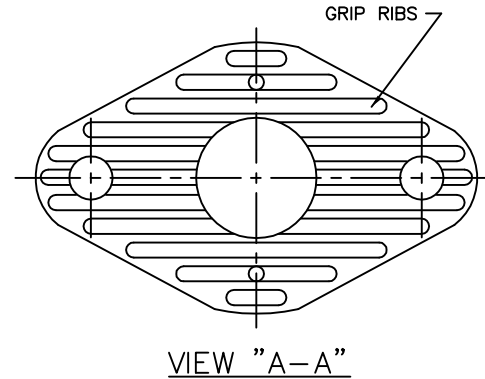
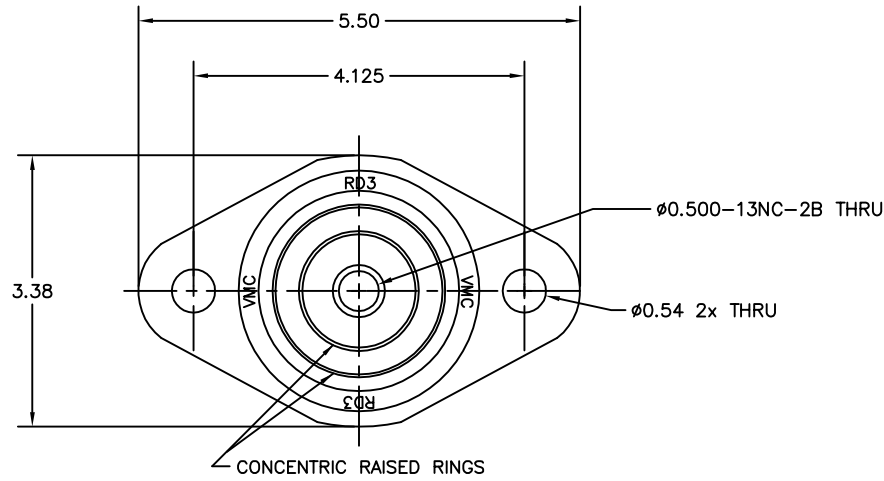


114R-100320 REV.: 3

REV.	DESCRIPTION	DATE	BY



MODEL, ELASTOMERIC, RD3 DURULENE			
PART NUMBER	MODEL	RATED AXIAL	RATED DEFLECTION
114A-100319-01	RD3-BLUE-WR	4	0.50
114A-100319-02	RD3-BROWN-WR	250	0.50
114A-100319-03	RD3-RED-WR	525	0.50
114A-100319-04	RD3-GREEN-WR	750	0.50
114A-100319-05	RD3-GRAY-WR	1100	0.50
114A-100319-06	RD3-PURPLE-WR	4	0.50

AXIAL TO RADIAL SPRING RATE (K) RATIO 3:1 NOMINAL

**NOTES:**

1. ALL DIMENSIONS ARE NOMINAL IN INCHES, INTERPRET PER ANSI Y14.
2. MOLDED STEEL AND ELASTOMERIC ISOLATOR NON FAIL SAFE, SERVICE CONDITIONS. CONTACT THE VMC GROUP FOR APPLICABILITY
3. MODEL COLORS ARE ACTUAL MOUNT COLOR IN ADDITION TO MODEL TYPE STAMPING
4. ADDITIONAL ELASTOMER TYPES & CAPACITIES AVAILABLE, CONTACT THE VMC GROUP FOR APPLICABILITY.

OTHER MATERIALS, COMPOUNDS, OR FINISHES WITH EQUAL OR SUPERIOR PROPERTIES MAY BE SUBSTITUTED AS THEY BECOME AVAILABLE.

**CERTIFIED FOR:**

JOB NAME: \_\_\_\_\_  
 CUSTOMER : \_\_\_\_\_  
 CUSTOMER P.O.: \_\_\_\_\_  
 SALES ORDER: \_\_\_\_\_

**MODEL RD3 250-1100 LBS.  
 DURULENE ELASTOMERIC ISOLATOR  
 0.5 INCH DEFLECTION**



**THE VMC GROUP**  
*The Power of Together*  
 Bloomingdale, NJ 07403  
 Houston, TX 77041

SCALE :

NONE

SHEET:



DRAWING NO.:

REVISION