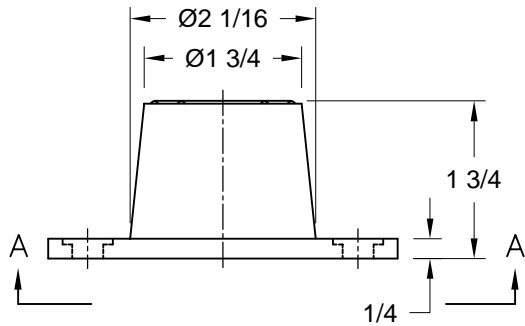
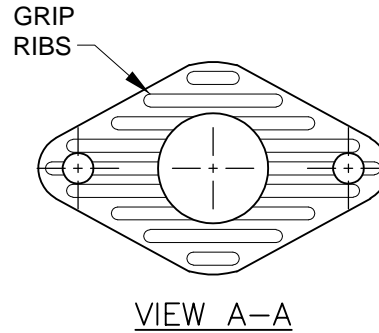
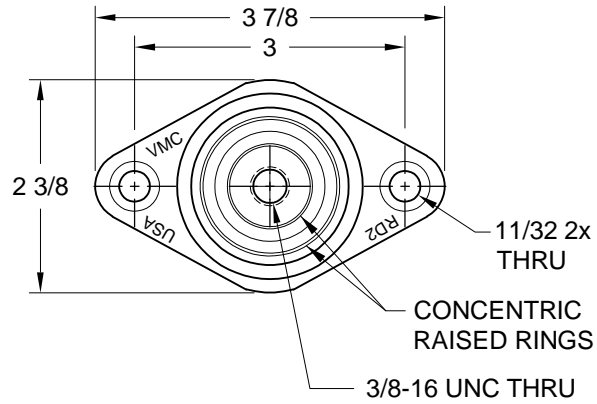


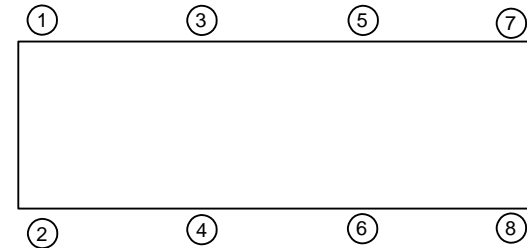
REV.	DESCRIPTION	DATE	BY



NOTES:

1. ALL DIMENSIONS ARE IN INCHES, INTERPRET PER ANSI Y14.
2. ALL DIMENSIONS ARE NOMINAL AND FOR REFERENCE ONLY.
3. MOLDED STEEL AND ELASTOMER MOUNT FOR NON-FAIL SAFE, SERVICE CONDITIONS. CONSULT VMC FOR APPLICABILITY.
4. COLOR CODE APPLIES TO ACTUAL MATERIAL.

MODEL, ELASTOMERIC, RD2				
PART NUMBER	MODEL	RATED AXIAL LOAD LBS	SHORE A DURO ±5%	RATED DEFLECTION
330132	RD2-135 BLUE	135	30	0.5
330035	RD2-170 BLACK	170	40	0.5
330922	RD2-240 RED	240	50	0.5
330825	RD2-380 GREEN	380	60	0.5
330728	RD2-550 GRAY	550	70	0.5



ISOLATOR SELECTIONS

LOC 1:	LOC 2:
LOC 3:	LOC 4:
LOC 5:	LOC 6:
LOC 7:	LOC 8:
CUSTOMER EQP'T. TAG:	

NOTE: MATERIAL SHOWN IS FOR (1) SET.

OTHER MATERIALS, COMPOUNDS, OR FINISHES WITH EQUAL OR SUPERIOR PROPERTIES MAY BE SUBSTITUTED AS THEY BECOME AVAILABLE.

CERTIFIED FOR:

JOB NAME: _____
 CUSTOMER: _____
 CUSTOMER P.O.: _____
 SALES ORDER: _____

MODEL RD2 135-550 LBS.
 ELASTOMERIC ISOLATOR
 0.5 INCH DEFLECTION



VMC GROUP
 THE POWER OF TOGETHER™
 Bloomingdale, NJ 07403
 Houston, TX 77041

SCALE :

NONE

SHEET:

1 OF 1



DRAWING NO.:

REVISION