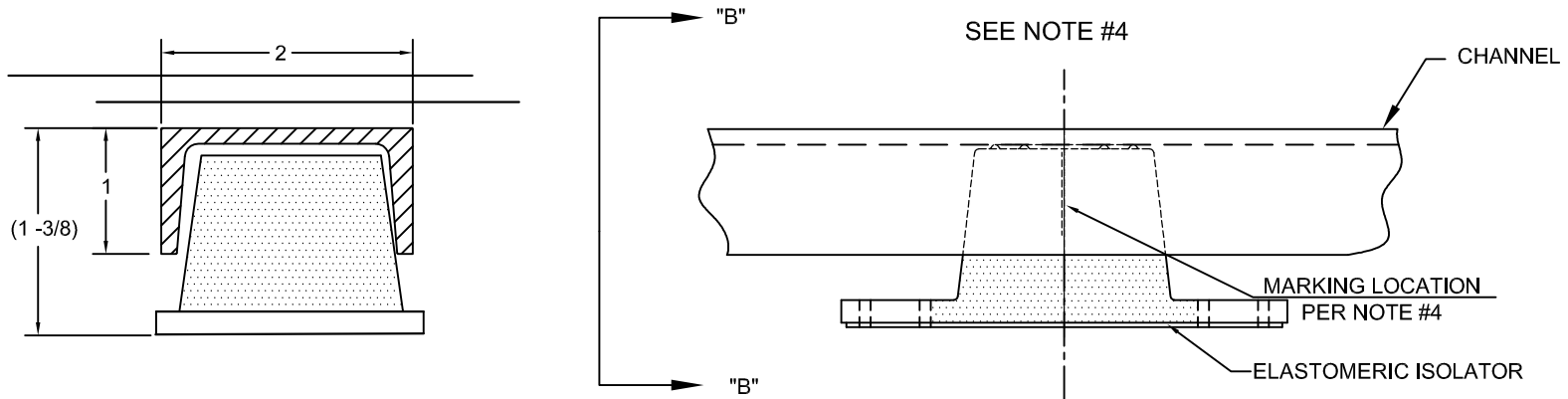
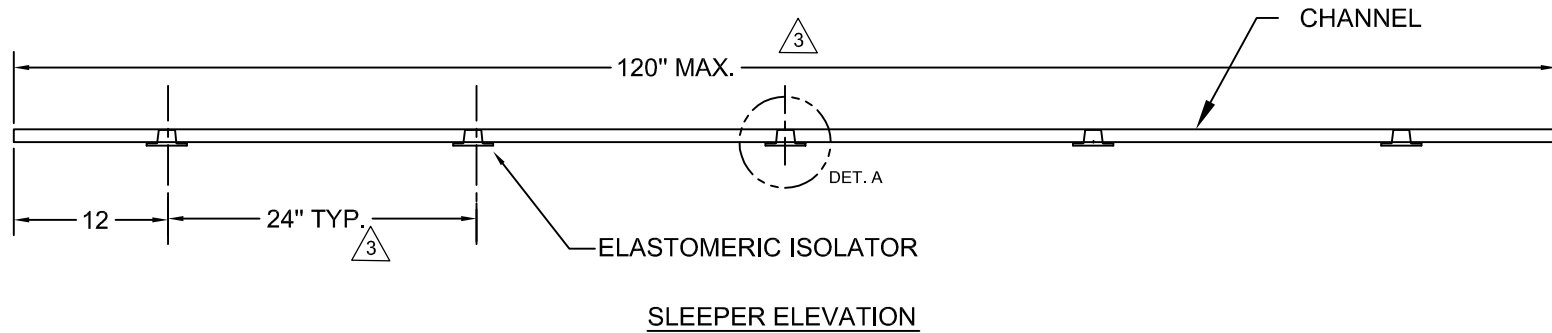


230R-103908 REV.: 1

REV.	DESCRIPTION	DATE	BY



NOTES:

1. VMC TYP. SLEEPER ARE SHIPPED IN 8FT. LENGTH AND ARE CUT TO SIZE AS NEEDED.
2. SLEEPER LAYOUT ARE SET AT A NOMINAL DISTANCE OF 2FT ON CENTER, HOWEVER FIELD CONDITIONS MAY REQUIRE LOCALIZED REDUCED SPACING TO ACCOMODATE ACTUAL PERIMETER WALL CONSTRUCTION.
3. SPACING MAY VARY DEPENDING ON PRODUCT DESIGN REQUIREMENT.
4. DO NOT SECURE FLOORING IN THIS AREA.
5. B.O.= BY OTHERS NOT VMC.

OTHER MATERIALS, COMPOUNDS, OR FINISHES WITH EQUAL OR SUPERIOR PROPERTIES MAY BE SUBSTITUTED AS THEY BECOME AVAILABLE.

CERTIFIED FOR:

JOB NAME: _____
 CUSTOMER : _____
 CUSTOMER P.O.: _____
 SALES ORDER: _____

**MODEL RD1 35-170 LBS.
 LOW PROFILE CHANNEL
 ELASTOMERIC SLEEPER
 0.4 DEFLECTION**



THE VMC GROUP
The Power of Together
 Bloomingdale, NJ 07403
 Houston, TX 77041

SCALE :

NONE

SHEET:



DRAWING NO.:

REVISION