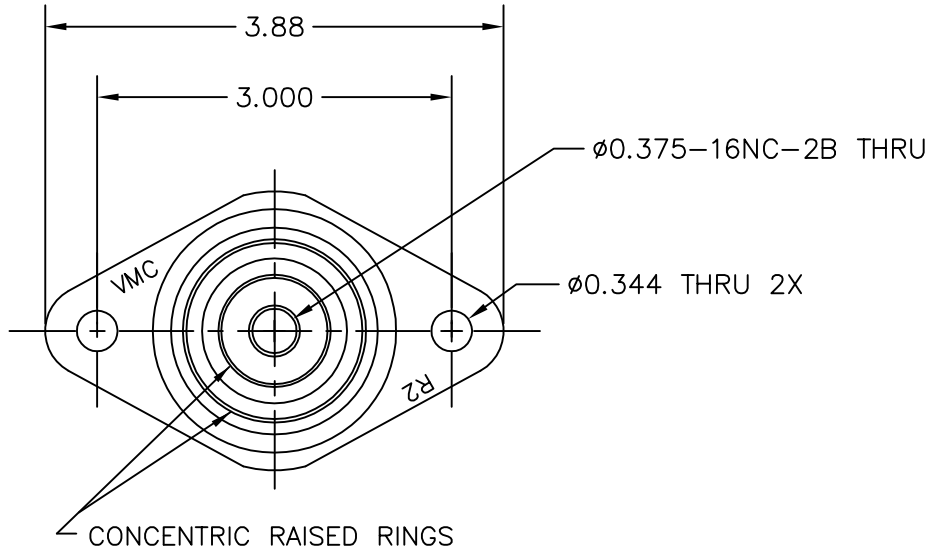
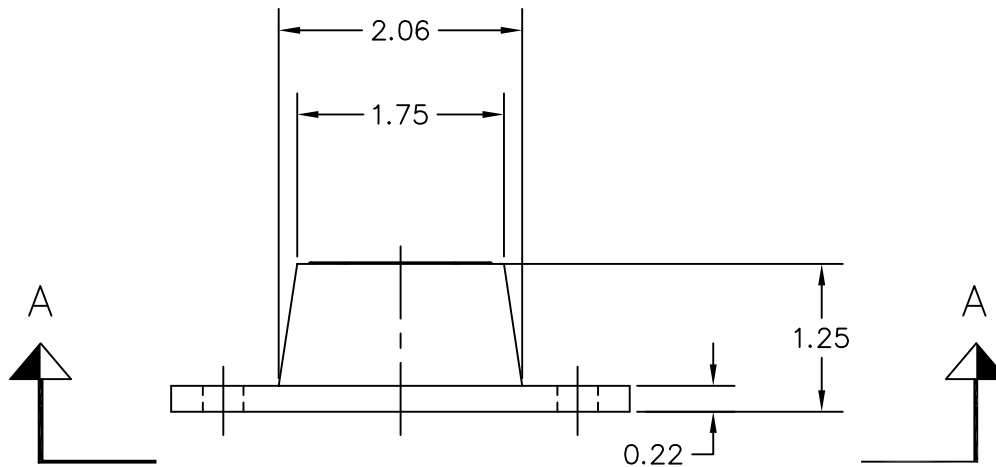
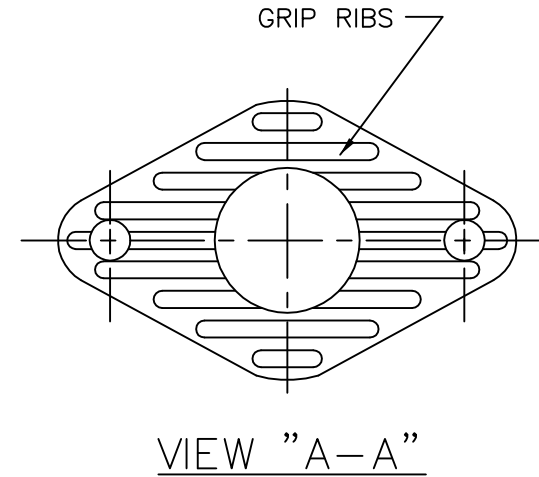


REV.	DESCRIPTION	DATE	BY



PART NUMBER	MODEL	RATED AXIAL LOAD (LBS)	DEFLECTION (IN)
330620	R2-BLUE	135	0.25
330523	R2-BLACK	170	0.25
330426	R2-RED	240	0.25
330329	R2-GREEN	380	0.25
330221	R2-GRAY	790	0.25



NOTES:

1. ALL DIMENSIONS ARE NOMINAL IN INCHES. INTERPRET PER ANSI Y14.
2. MOLDED STEEL AND ELASTOMERIC ISOLATOR FOR NON FAIL SAFE, SERVICE CONDITIONS. CONTACT THE VMC GROUP FOR APPLICABILITY
3. MODEL COLORS ARE MOUNT IDENTIFICATION MARKINGS WHICH ARE AN ACCEPTABLE ADDITION TO MODEL TYPE STAMPING
4. ADDITIONAL ELASTOMER TYPES & CAPACITIES AVAILABLE, CONTACT THE VMC GROUP FOR APPLICABILITY.

OTHER MATERIALS, COMPOUNDS, OR FINISHES WITH EQUAL OR SUPERIOR PROPERTIES MAY BE SUBSTITUTED AS THEY BECOME AVAILABLE.

CERTIFIED FOR:

JOB NAME: _____
 CUSTOMER: _____
 CUSTOMER P.O.: _____
 SALES ORDER: _____

**MODEL R2 135-790 LBS.
 ELASTOMERIC ISOLATOR
 0.25 INCH DEFLECTION**



THE VMC GROUP
The Power of Together
 Bloomingdale, NJ 07403
 Houston, TX 77041

SCALE:

NONE

SHEET:



DRAWING NO.:

REVISION