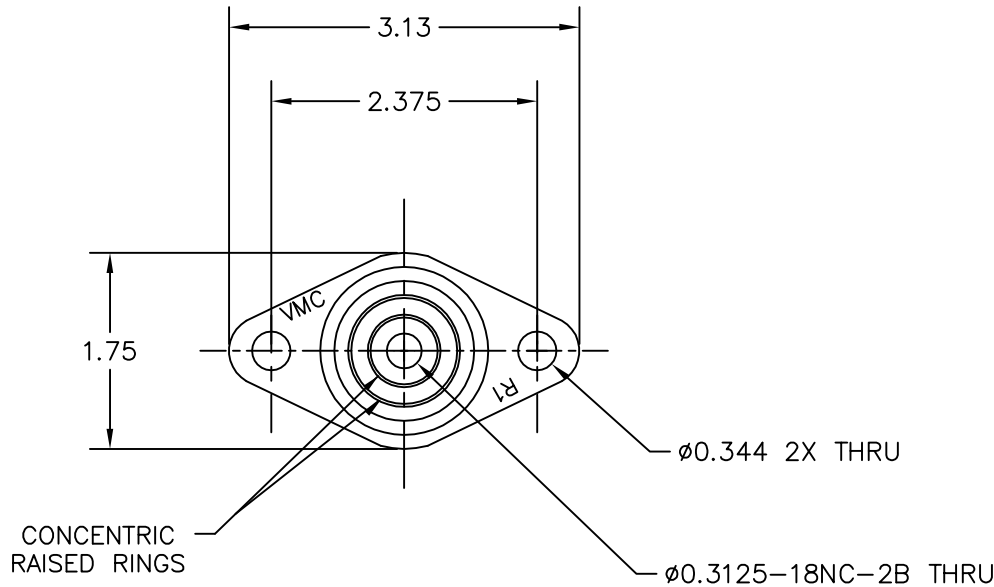
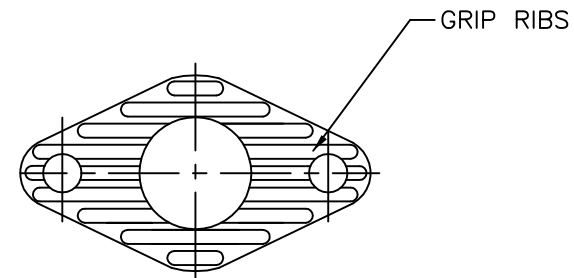


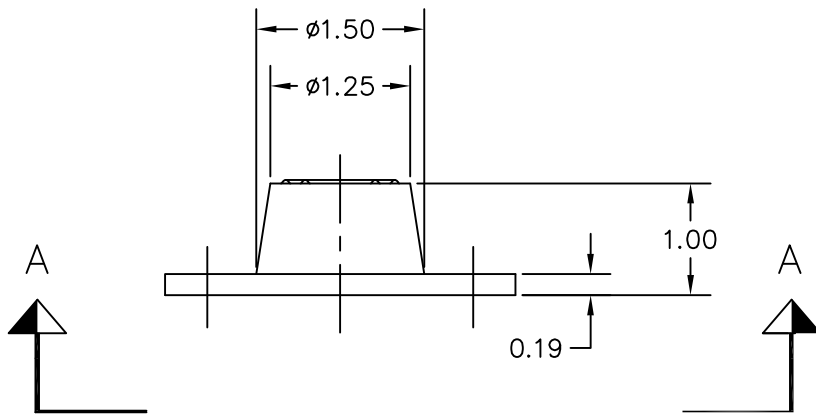
REV.	DESCRIPTION	DATE	BY



PART NUMBER	MODEL	RATED AXIAL LOAD (LBS)	DEFLECTION (IN)
114A-100307-01	R1-BLUE-WR 35	35	0.20
114A-100307-02	R1-BROWN-WR 45	45	0.20
114A-100307-03	R1-RED-WR 70	70	0.20
114A-100307-04	R1-GREEN-WR 120	120	0.20
114A-100307-05	R1-GRAY-WR 250	250	0.20



VIEW "A-A"



NOTES:

1. DIMENSIONS FOR COSTUMER REFERENCE
2. TABLE IS AVERAGE DESIGN DATA FOR REFERENCE.
3. MOLDED STEEL AND ELASTOMER MOUNT FOR NON-FAIL SAFE, MODERATE SERVICE CONDITIONS.
4. CONSULT VMC FOR APPLICABILITY

OTHER MATERIALS, COMPOUNDS, OR FINISHES WITH EQUAL OR SUPERIOR PROPERTIES MAY BE SUBSTITUTED AS THEY BECOME AVAILABLE.

CERTIFIED FOR:

JOB NAME: _____
 CUSTOMER : _____
 CUSTOMER P.O.: _____
 SALES ORDER: _____

**MODEL R1 35-250 LBS.
 DURULENE ELASTOMERIC ISOLATOR
 0.20 INCH DEFLECTION**



SCALE :
 NONE

SHEET:
 1 OF 1



DRAWING NO.: _____ REVISION _____