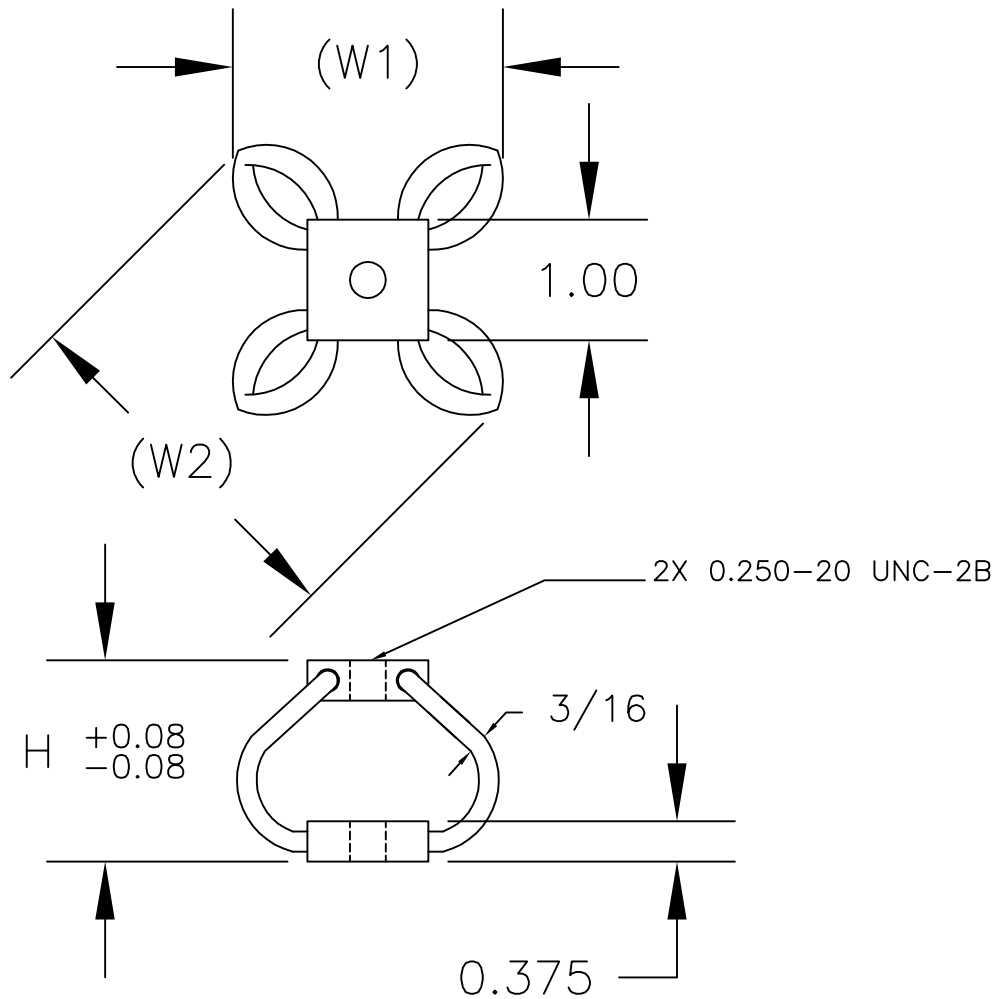


REV.	DESCRIPTION	DATE	BY

MODEL #	NOMINAL DIMENSIONS			LOAD MODE	SHOCK	VIBRATION	RATED
	H	W1(REF)	W2(REF)		AVERAGE	AVERAGE	DYNAMIC
					Klbs./in.	Klbs./in.	TRAVEL in.
JSQ6-165-T2	1.65	2.25	3.00	Compression	60	95	0.90
				Shear	35	45	0.90
				45 deg. C/R	35	70	1.25
JSQ6-185-T2	1.85	2.50	3.25	Compression	35	65	1.10
				Shear	20	30	1.10
				45 deg. C/R	20	45	1.50
JSQ6-215-T2	2.15	2.75	3.60	Compression	20	40	1.30
				Shear	15	20	1.30
				45 deg. C/R	15	30	1.80



NOTES:
 1. SUFFIX -TM2 = METRIC M6X1.0 TAPPING

OTHER MATERIALS, COMPOUNDS, OR FINISHES WITH EQUAL OR SUPERIOR PROPERTIES MAY BE SUBSTITUTED AS THEY BECOME AVAILABLE.

CERTIFIED FOR:

JOB NAME: _____
 CUSTOMER : _____
 CUSTOMER P.O.: _____
 SALES ORDER: _____

**MODEL JSQ6 SERIES
 SQUARE WIRE ROPE
 ISOLATOR**



THE VMC GROUP
The Power of Together
 Bloomingdale, NJ 07403
 Houston, TX 77041

SCALE:
 NONE

SHEET:
 1 OF 1

DRAWING NO.:



REVISION