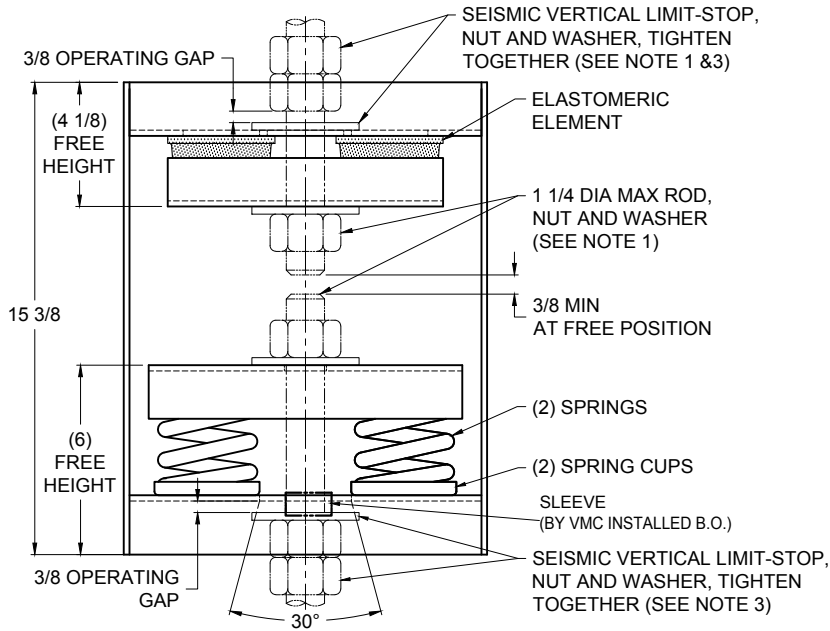
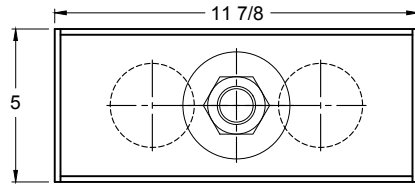
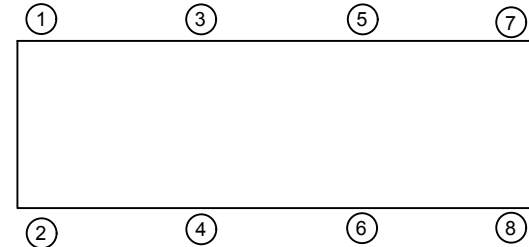


REV.	DESCRIPTION	DATE	BY



MODEL H2RSA-1E PRE-COMPRESSED DOUBLE ELASTOMERIC & SPRING ANGULARITY HANGERS FOR 1" DEFLECTION					
MODEL	MAX LOAD (LBS)	DEFLECTION (IN)	SPRING RATE (LB/IN)	SPRING COLOR CODE	ELEMENT LOAD & COLOR CODE
H2RSA-1E-1650N*PR	1650	1.40	1540	RED/ DK. BLUE	(2) RE-D-1350 RED
H2RSA-1E-2800N*PR	2800	1.37	2800	PINK	(2) RE-D-1900 GREEN
H2RSA-1E-3400N*PR	3400	1.55	3090	PINK DK. BLUE	(2) RE-D-1900 GREEN
H2RSA-1E-4000N*PR	4000	1.44	3604	WHITE	(2) RE-D-3050 GRAY
H2RSA-1E-5150N*PR	5150	1.53	4640	WHITE/ DK. PURPLE	(2) RE-D-3050 GRAY
H2RSA-1E-5980N*PR	5980	1.60	5388	WHITE/ DK. GREEN	(2) RE-D-3050 GRAY
H2RSA-1E-6500N*PR	6500	1.43	6250	WHITE/ GRAY	(2) RE-D-4200 BLUE

NOTES:
1. TWO NESTED SPRINGS YIELD THIS LOAD. THE COLOR CODE IS FOR OUTER SPRING/ INNER SPRING.



- NOTES:
- HANGER RODS, NUTS AND WASHERS, AS SHOWN, NOT BY THE VMC GROUP. INSTALL WASHER .165 THK. MIN. X 2-7/8 O.D. MIN. WITH REQUIRED INSIDE DIAMETER TO ACCOMMODATE ROD SIZE IN USE. THIS CAN BE ACCOMPLISHED BY USING A SINGLE WASHER OR BY STACKING NOT MORE THAN TWO WASHERS
 - STANDARD FINISH: HANGER BOX - PAINTED, POWDER COATED OR GALVANIZED STEEL, SPRING - POWDER COAT.
 - SEISMIC VERTICAL-STOP HARDWARE REQUIRED FOR SEISMIC APPLICATIONS .
 - ALL DIMENSIONS IN INCHES. INTERPRET PER ANSI Y14.
 - ALL DIMENSIONS ARE FOR REFERENCE, DIMENSIONS SHOWN AS NOMINAL.
 - ALL SPRINGS ARE DESIGNED WITH MINIMUM 50% OVER-TRAVEL.
 - HANGER BOXES ARE AVAILABLE PRE-COMPRESSED UP TO THEIR DESIGNATED MAX. LOAD. PERCENTAGE OF PRE-COMPRESSION TO BE DETERMINED BY ENGINEERED APPLICATION OR AS REQUESTED BY CUSTOMER. CONSULT FACTORY FOR POSSIBLE ADDITIONAL PARAMETERS AND OR LIMITATIONS.
 - HANGER BOXES WITH AN ELASTOMERIC ELEMENT HAVE UP TO AN ADDITIONAL 1/2" NOMINAL DEFLECTION.
 - DOUBLE LOWER NUT PROVIDED.
 - ROD EXTENSION BELOW LOWER NUT EXTENDS (1.5XROD DIA.) AS SHIPPED.
 - PRE-COMPRESSED 50% OF SPRING RATED DEFLECTION.
 - RATED DEFLECTIONS ARE WITHIN 25% OF NOMINAL. HIGHER DEFLECTIONS ARE ALLOWED IF THEY MEET SPECIFICATIONS

ISOLATOR SELECTIONS	
LOC 1:	LOC 2:
LOC 3:	LOC 4:
LOC 5:	LOC 6:
LOC 7:	LOC 8:
CUSTOMER EQPT. TAG:	

NOTE: MATERIAL SHOWN IS FOR (1) SET.

OTHER MATERIALS, COMPOUNDS, OR FINISHES WITH EQUAL OR SUPERIOR PROPERTIES MAY BE SUBSTITUTED AS THEY BECOME AVAILABLE.

CERTIFIED FOR:

JOB NAME: _____
 CUSTOMER : _____
 CUSTOMER P.O.: _____
 SALES ORDER: _____

**MODEL H2RSA-1E 1650-6500 LBS.
 PRE-COMPRESSED ELASTOMERIC AND
 SPRING ANGULARITY HANGER
 1 INCH DEFLECTION**



THE VMC GROUP
 The Power of Together
 Bloomingdale, NJ 07403
 Houston, TX 77041

SCALE:	NONE	
SHEET:	1 OF 1	
DRAWING NO.:		REVISION