

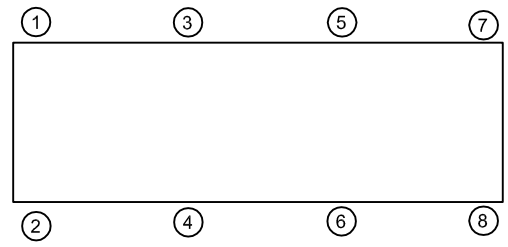
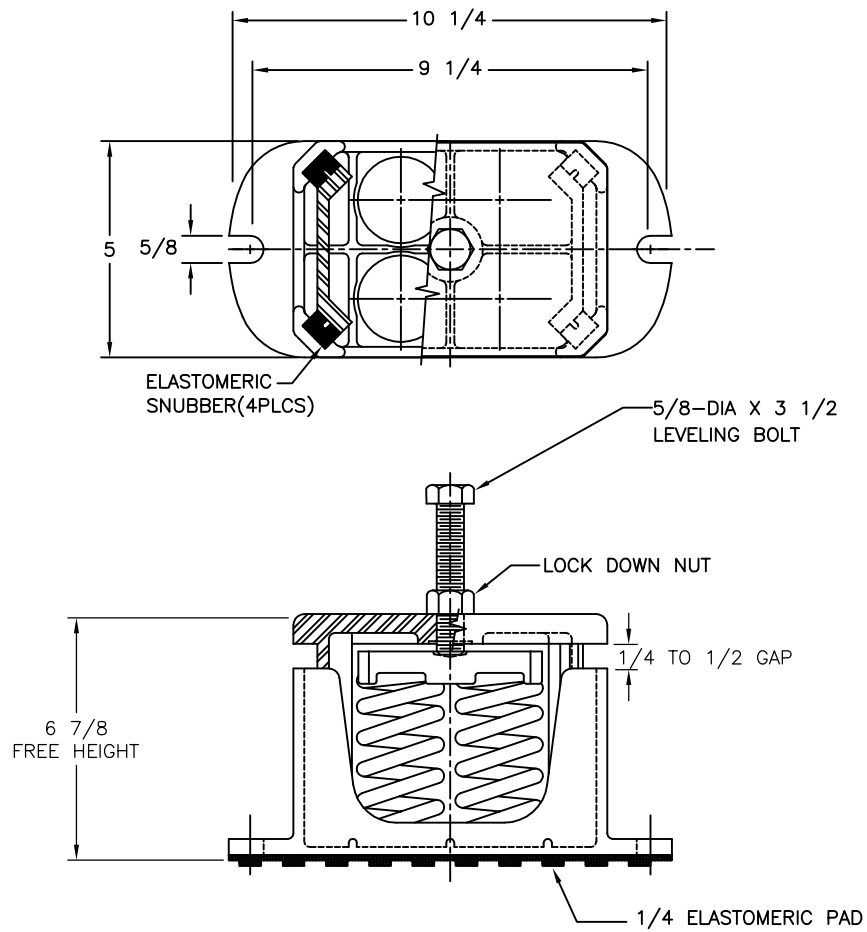
120R-101671 REV.: 6

REV.	DESCRIPTION	DATE	BY

**TYPE C4DE-2B CAST IRON SPRING-FLEX ISOLATORS WITH EXTERNAL ADJUSTMENT**

MODEL	MAX LOAD (LBS)	DEFLECTION (IN)	SPRING RATE (LB/IN)	SPRING COLOR CODE
C4DE-2B-760	760	2.13	356	BLACK
C4DE-2B-1400	1400	1.86	752	RED
C4DE-2B-2200	2200	1.54	1428	GRAY
C4DE-2B-2660N <sup>1</sup>	2660	1.54	1728	GRAY/ORANGE
C4DE-2B-3060N <sup>1</sup>	3060	1.54	1988	GRAY/DK BROWN

**NOTES:**  
 1. TWO NESTED SPRINGS YIELD THIS LOAD. THE COLOR CODE INDICATED IS FOR OUTER SPRING/ INNER SPRING.



- NOTES:**
1. ALL DIMENSIONS ARE IN INCHES, INTERPRET PER ANSI Y14.
  2. FINISH: HOUSINGS CAST IRON- ONE COAT BLACK PAINT, SPRINGS-POWER COAT, HARDWARE: ZINC-ELECTROPLATE.
  3. REFER TO SHEET 2 OF 2 FOR INSTALLATION INSTRUCTIONS.
  4. INNER SPRING (WHEN USED) NOT SHOWN.
  5. ALL SPRINGS ARE DESIGNED WITH 50% OVER TRAVEL.
  6. RATED DEFLECTIONS ARE WITHIN 25% OF NOMINAL. HIGHER DEFLECTIONS ARE ALLOWED IF THEY MEET SPECIFICATIONS.

ISOLATOR SELECTIONS	
LOC 1:	LOC 2:
LOC 3:	LOC 4:
LOC 5:	LOC 6:
LOC 7:	LOC 8:
CUSTOMER EQP'T. TAG:	

NOTE: MATERIAL SHOWN IS FOR (1) SET.

OTHER MATERIALS, COMPOUNDS, OR FINISHES WITH EQUAL OR SUPERIOR PROPERTIES MAY BE SUBSTITUTED AS THEY BECOME AVAILABLE.

**CERTIFIED FOR:**

JOB NAME: \_\_\_\_\_

CUSTOMER : \_\_\_\_\_

CUSTOMER P.O.: \_\_\_\_\_

SALES ORDER: \_\_\_\_\_

**MODEL C4DE-2B 760-3060 LBS.  
 HOUSED CAST IRON  
 SPRING-FLEX ISOLATORS SNUBBED WITH  
 EXTERNAL ADJUSTMENT  
 2 INCH DEFLECTION**

**THE VMC GROUP**  
*The Power of Together*  
 Bloomingdale, NJ 07403  
 Houston, TX 77041

SCALE :  
 NONE

SHEET: \_\_\_\_\_

DRAWING NO.: \_\_\_\_\_

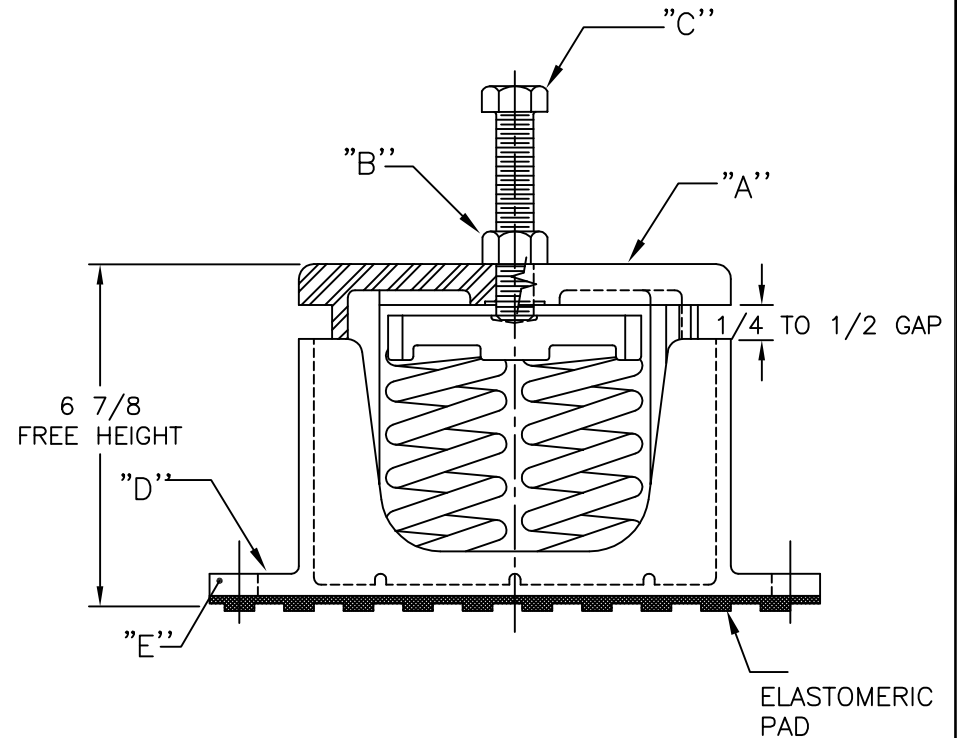
REVISION \_\_\_\_\_



REV.	DESCRIPTION	DATE	BY

**INSTALLATION INSTRUCTION**

- ISOLATORS ARE SHIPPED FULLY ASSEMBLED AND ARE TO BE SPACED AND ARRANGED IN ACCORDANCE WITH INSTALLATION DRAWINGS OR AS OTHERWISE RECOMMENDED.
- SET ISOLATORS ON FLOOR OR SUB-BASE, ENSURING THAT ALL ISOLATOR CENTERLINES MATCH THE EQUIPMENT ISOLATING HOLES. SHIM OR GROUT AS REQUIRED LEVELING ALL ISOLATOR BASE PLATES "E" AT THE SAME ELEVATION (1/4" MAXIMUM DIFFERENCE IN ELEVATION CAN BE TOLERATED). ISOLATOR BASE PLATES MUST REST ON A FLAT SURFACE.
- ONCE ISOLATORS ARE IN POSITION, PLACE BLOCKING ALONGSIDE ISOLATOR. BLOCKING HEIGHT SHOULD BE EQUIVALENT TO THE FREE HEIGHT OF THE ISOLATOR AND BE CAPABLE OF SUPPORTING EQUIPMENT WEIGHT.
- UNLESS SPECIFIED, ISOLATORS NEED NOT BE FASTENED TO FLOOR IN ANY WAY. IF REQUIRED, BOLT ISOLATORS TO FLOOR THROUGH SLOTS "D". RECOMMENDED MAXIMUM TORQUING OF ISOLATOR BASE ANCHORS TO 5 FT-# AFTER EQUIPMENT IS INSTALLED.
- REMOVE ADJUSTING BOLT "C" WITH NUT "B" FROM TOP HOUSING "A". (DO NOT DISCARD.)
- PLACE MACHINE OR EQUIPMENT ONTO TOP PLATE "A" OF ISOLATOR. THE WEIGHT OF THE MACHINE WILL CAUSE THE UPPER HOUSING OF THE ISOLATOR TO GO DOWN, POSSIBLY RESTING ON THE LOWER HOUSING.
- ALIGN EQUIPMENT ISOLATING HOLE TO TOP HOUSING TAPPED HOLE.
- TURN NUTS "B" UP ON LEVELING BOLTS SO THAT THEY WILL NOT INTERFERE WITH THE LEVELING PROCEDURE. INSERT BOLTS "C" THROUGH THE HOLES IN MACHINE BASE AND SCREW INTO THE TAPPED HOLE IN THE UPPER HOUSING OF THE ISOLATOR BY HAND AS FAR AS THEY WILL GO.
- ADJUST EACH ISOLATOR IN SEQUENCE; SCREW DOWN ONE COMPLETE TURN ON THE ADJUSTING BOLT OF EACH ISOLATOR. ADJUST UNTIL 1/4" GAP IS OBTAINED ON ALL ISOLATORS.
- TURN NUT ON ADJUSTING BOLT "C" DOWN AGAINST MACHINE LEG AND LOCK IN PLACE WITH WRENCH TO COMPLETE ADJUSTMENTS.
- INSTALLATION IS COMPLETE.



OTHER MATERIALS, COMPOUNDS, OR FINISHES WITH EQUAL OR SUPERIOR PROPERTIES MAY BE SUBSTITUTED AS THEY BECOME AVAILABLE.

**CERTIFIED FOR:**

JOB NAME: \_\_\_\_\_  
 CUSTOMER: \_\_\_\_\_  
 CUSTOMER P.O.: \_\_\_\_\_  
 SALES ORDER: \_\_\_\_\_

**MODEL C4DE-2B 760-3060 LBS.  
 HOUSED CAST IRON  
 SPRING-FLEX ISOLATORS SNUBBED WITH  
 EXTERNAL ADJUSTMENT  
 2 INCH DEFLECTION**



**THE VMC GROUP**  
*The Power of Together*  
 Bloomingdale, NJ 07403  
 Houston, TX 77041

SCALE:

NONE

SHEET:



DRAWING NO.:

REVISION