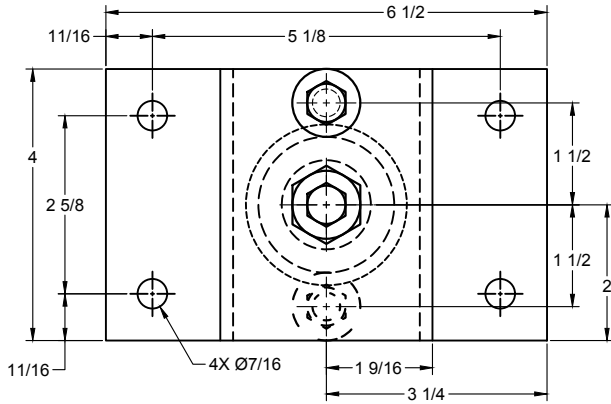
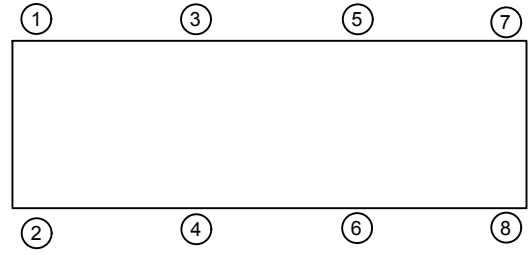
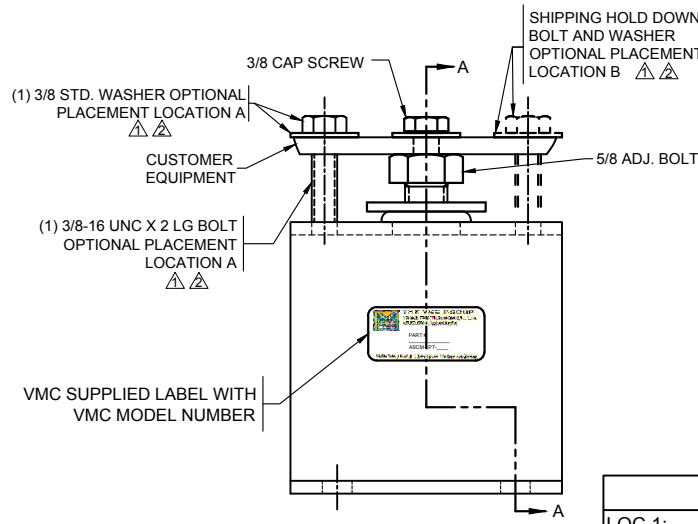
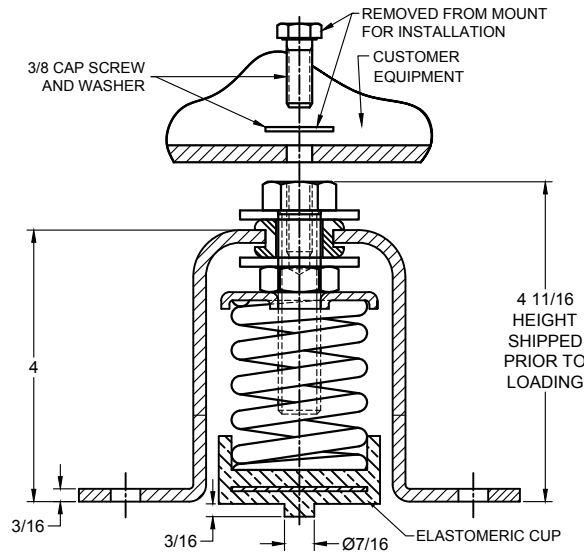


REV.	DESCRIPTION	DATE	BY



TYPE ASCM-LPT SPRING ISOLATORS LOW PROFILE TEEN SERIES				
MODEL	MAX LOAD (LBS)	DEFLECTION (IN)	SPRING RATE (LB/IN)	SPRING COLOR CODE
ASCM-LPT-1C-50	50	1.11	45	BLUE
ASCM-LPT-1C-100	100	1.00	100	TAN
ASCM-LPT-1C-150	150	1.00	150	RED
ASCM-LPT-1C-250	250	0.83	300	BLACK
ASCM-LPT-1C-300	300	0.75	400	DK. YELLOW
ASCM-LPT-1C-370	370	0.75	493	YELLOW



ISOLATOR SELECTIONS	
LOC 1:	LOC 2:
LOC 3:	LOC 4:
LOC 5:	LOC 6:
LOC 7:	LOC 8:
CUSTOMER EQPT. TAG:	

- NOTES:
- 1. HEIGHT SHIPPED PRIOR TO LOADING
  - 2. USED FOR SHIPPING PURPOSE ONLY.
  - 3. ONLY ONE BOLT IS USED IN EITHER LOCATION AS REQUIRED.
  - 3. REFER TO SHEET 2 OF 2 FOR INSTALLATION INSTRUCTIONS.
  - 4. FINISHES: HOUSING PAINTED. SPRING POWDER COATED. HARDWARE ZINC PLATED.
  - 5. RATED DEFLECTIONS ARE WITHIN 25% OF NOMINAL. HIGHER DEFLECTIONS ARE ALLOWED IF THEY MEET SPECIFICATIONS.

NOTE: MATERIAL SHOWN IS FOR (1) SET.

OTHER MATERIALS, COMPOUNDS, OR FINISHES WITH EQUAL OR SUPERIOR PROPERTIES MAY BE SUBSTITUTED AS THEY BECOME AVAILABLE.

**CERTIFIED FOR:**

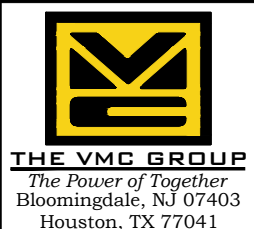
JOB NAME: \_\_\_\_\_

CUSTOMER : \_\_\_\_\_

CUSTOMER P.O.: \_\_\_\_\_

SALES ORDER: \_\_\_\_\_

MODEL ASCM-LPT-1C 50 - 400 LBS.  
 LOW PROFILE TEEN SERIES  
 SEISMIC ISOLATOR  
 1 INCH DEFLECTION

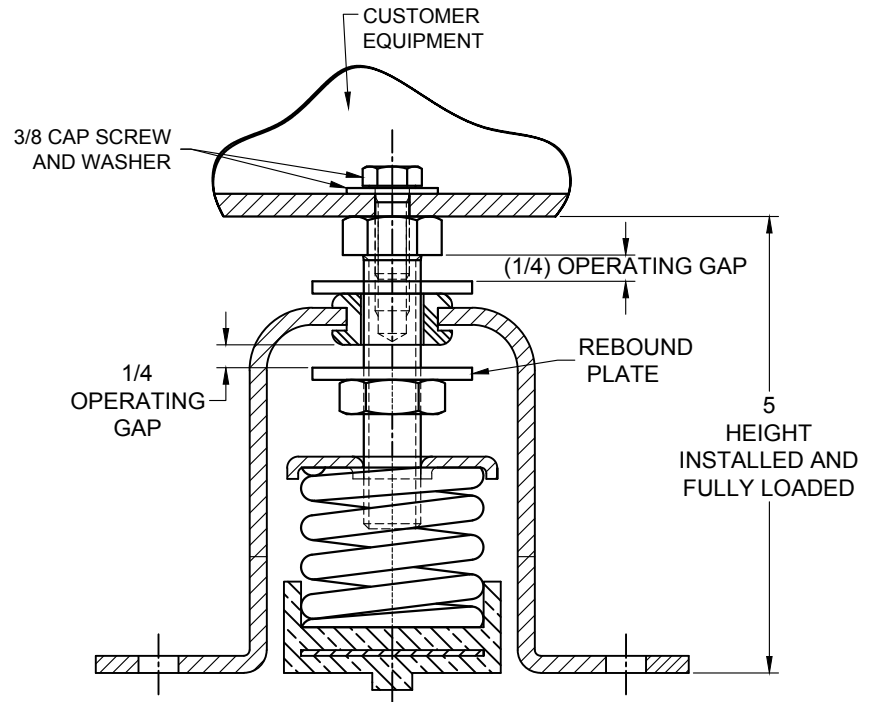


SCALE:	NONE	
SHEET:	1 OF 2	
DRAWING NO.:		REVISION

REV.	DESCRIPTION	DATE	BY

**INSTALLATION INSTRUCTION FOR VMC SERIES ASCM**

- ISOLATORS ARE SHIPPED FULLY ASSEMBLED AND ARE TO BE SPACED AND ARRANGED IN ACCORDANCE WITH INSTALLATION DRAWINGS OR AS OTHERWISE RECOMMENDED. ISOLATOR SHOULD BE ORIENTED WITH SPRING FACING OUTWARD FROM EQUIPMENT OR BASE.
- SHIPPING HOLD DOWN BOLT & EQUIPMENT ISOLATING CAP SCREW MUST BE REMOVED FOR INSTALLATION.
- TO FACILITATE INSTALLATION, PRIOR TO INSTALLING, VMC RECOMMENDS TURNING THE ADJUSTING BOLT SO THAT THE "OPERATING GAP" IS 1/4"
- SET ISOLATORS ON SUB-BASE. SHIM OR GROUT AS REQUIRED LEVELING ALL ISOLATOR BASE PLATES AT THE SAME ELEVATION (1/4" MAXIMUM DIFFERENCE IN ELEVATION CAN BE TOLERATED). ISOLATOR BASE PLATES MUST REST ON A FLAT SURFACE.
- ANCHOR ALL ISOLATORS TO FLOOR OR SUB-BASE USING Ø7/16" THROUGH HOLES AS REQUIRED. FOR INSTALLING ON CONCRETE VMC RECOMMENDS HILTI TYPE HSL HEAVY-DUTY ANCHORS OR EQUAL.
- REMOVE CAP SCREW AND SAVE. GENTLY PLACE MACHINE OR MACHINE BASE ON TOP OF ADJUSTING BOLT HEAD. INSTALL CAP SCREW BUT DO NOT TIGHTEN.
- THE WEIGHT OF THE MACHINE WILL CAUSE THE SPRING AND THUS THE ADJUSTMENT BOLT TO DESCEND.
- ADJUST ALL ISOLATORS BY TURNING ADJUSTMENT BOLT SO THAT THE OPERATING CLEARANCE IS APPROXIMATELY 1/4". NOTE: IT MAY BE NECESSARY TO ADJUST REBOUND PLATE FOR CLEARANCE.
- FINE TUNE ADJUST EQUIPMENT TO LEVEL EQUIPMENT.
- TIGHTEN CAP SCREW. INSTALLATION IS COMPLETE.



**SECTION A-A**

ILLUSTRATION SHOWN WITH SPRING PARTIALLY LOADED WITH 3/4" DEFL.

OTHER MATERIALS, COMPOUNDS, OR FINISHES WITH EQUAL OR SUPERIOR PROPERTIES MAY BE SUBSTITUTED AS THEY BECOME AVAILABLE.

**CERTIFIED FOR:**

JOB NAME: \_\_\_\_\_  
 CUSTOMER : \_\_\_\_\_  
 CUSTOMER P.O.: \_\_\_\_\_  
 SALES ORDER: \_\_\_\_\_

**MODEL ASCM-LPT-1C 50 - 400 LBS.  
 LOW PROFILE TEEN SERIES  
 SEISMIC ISOLATOR  
 1 INCH DEFLECTION**



**THE VMC GROUP**  
 The Power of Together  
 Bloomingdale, NJ 07403  
 Houston, TX 77041

SCALE:

NONE

SHEET:

2 OF 2



DRAWING NO.:

REVISION