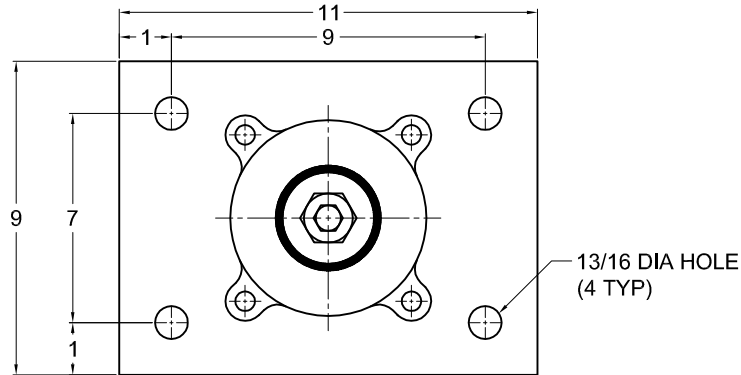
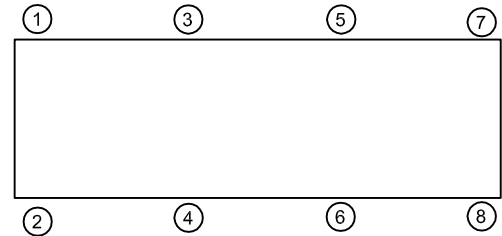
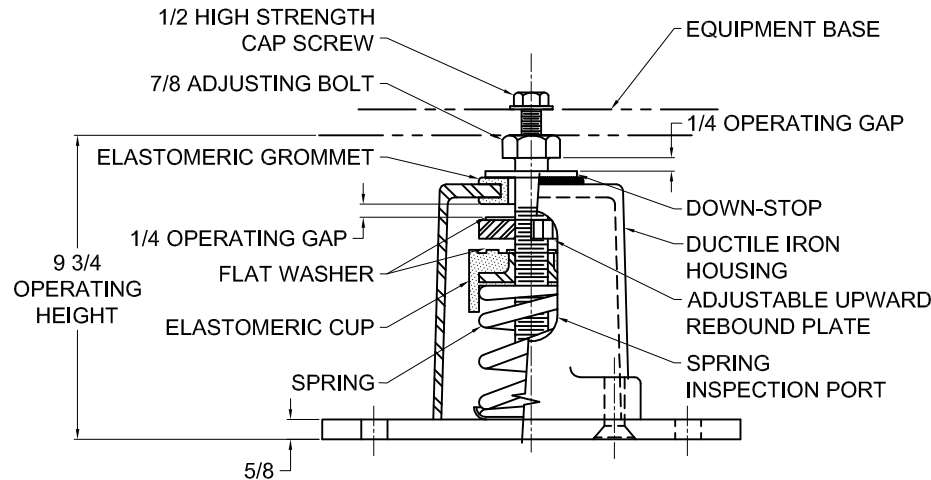


REV.	DESCRIPTION	DATE	BY



TYPE AEQMR-2D SEISMIC ISOLATORS FOR NOMINAL 2" RATED DEFLECTION				
MODEL	RATED LOAD (LBS)	RATED DEFLECTION (IN)	SPRING RATE (LB/IN)	SPRING COLOR CODE
AEQMR-2D-75	75	2.42	31	WHITE
AEQMR-2D-160	160	2.29	70	YELLOW
AEQMR-2D-230	230	2.30	100	GREEN
AEQMR-2D-355	355	2.15	165	DK BROWN
AEQMR-2D-435	435	1.89	230	RED
AEQMR-2D-600N ¹	600	1.88	319	RED/ BLACK
AEQMR-2D-725	725	1.63	445	TAN
AEQMR-2D-845	845	1.58	535	PINK
AEQMR-2D-1000N ¹	1000	1.51	625	PINK/ BLACK
AEQMR-2D-1320N ¹	1320	1.51	875	PINK/GRAY

NOTES:
 1. TWO NESTED SPRINGS YIELD THIS LOAD. THE COLOR CODE INDICATED IS FOR OUTER SPRING/ INNER SPRING.



- NOTES:
- STANDARD ISOLATOR FINISH: CASTING AND BASE PLATE- ONE COAT BLACK PAINT, SPRING- POWDER COAT, HARDWARE- ZINC ELECTROPLATE.
 - STATIC LOAD RATINGS ON SHEET 2 OF 2 ARE FOR GUIDANCE ONLY.
 - OSHPD R & OPA 0189.
 - RATED DEFLECTIONS ARE WITHIN 25% OF NOMINAL. HIGHER DEFLECTIONS ARE ALLOWED IF THEY MEET SPECIFICATIONS.

ISOLATOR SELECTIONS	
LOC 1:	LOC 2:
LOC 3:	LOC 4:
LOC 5:	LOC 6:
LOC 7:	LOC 8:
CUSTOMER EQPT. TAG:	

NOTE: MATERIAL SHOWN IS FOR (1) SET.

OTHER MATERIALS, COMPOUNDS, OR FINISHES WITH EQUAL OR SUPERIOR PROPERTIES MAY BE SUBSTITUTED AS THEY BECOME AVAILABLE.

CERTIFIED FOR:

JOB NAME: _____

CUSTOMER : _____

CUSTOMER P.O.: _____

SALES ORDER: _____

**MODEL AEQMR-2D 75-1320 LBS.
 SEISMIC ISOLATORS
 2 INCH DEFLECTION**



SCALE: NONE

SHEET: 1 OF 2

DRAWING NO.: _____

REVISION: _____

REV.	DESCRIPTION	DATE	BY
------	-------------	------	----

INSTALLATION AND ADJUSTMENT INSTRUCTIONS

1. VERIFY LABEL FOR MODEL DESIGNATION AND STATIC LOAD RATING PRIOR TO INSTALLATION.
2. ISOLATORS ARE SHIPPED FULLY ASSEMBLED AND ARE TO BE SPACED AND LOCATED IN ACCORDANCE WITH INSTALLATION DRAWINGS OR AS OTHERWISE RECOMMENDED.
3. LOCATE ISOLATORS ON A LEVEL FLOOR OR SUB BASE, ENSURING THAT ALL ISOLATOR CENTERLINES MATCH THE EQUIPMENT MOUNTING HOLES. SHIM OR GROUT (USE NON SHRINK GROUT) AS REQUIRED TO LEVEL ALL ISOLATOR BASE PLATES. A 1/4" MAXIMUM. DIFFERENCE IN ELEVATION BE CAN TOLERATED.
4. ANCHOR ALL ISOLATORS TO THE FLOOR OR SUB BASE AS RECOMMENDED.
5. REMOVE AND SAVE 1/2" CAP SCREW AND WASHER. GENTLY PLACE MACHINE OR EQUIPMENT ON TOP OF THE HEAD OF THE 7/8" ADJUSTING BOLT. RE-INSTALL THE 1/2" CAP SCREW AND WASHER, BUT DO NOT TIGHTEN.
6. THE EQUIPMENT WEIGHT WILL CAUSE THE SPRING AND THE ADJUSTING BOLT TO DESCEND.
7. ADJUST EACH AND EVERY ISOLATOR IN SEQUENCE, ONE FULL COUNTER-CLOCKWISE TURN AT A TIME, REPEAT THIS PROCEDURE UNTIL THE 1/4" OPERATING GAP IS OBTAINED. NOTE: IT MAY BE NECESSARY TO ADJUST THE UPWARD REBOUND PLATE TO OBTAIN PROPER GAP.
8. CHECK EQUIPMENT LEVEL AND FINE ADJUST ISOLATORS AS NECESSARY TO OBTAIN EQUIPMENT LEVEL.
9. ADJUST UPWARD REBOUND PLATE TO OBTAIN A 1/4" MAXIMUM GAP.
10. TIGHTEN ALL OF THE 1/2" CAP SCREWS. ADJUSTMENT IS COMPLETE.

GENERAL NOTES

1. HORIZONTAL AND VERTICAL RATINGS OF AEQMR-2D ARE SHOWN IN FIGURE 1. ANALYSES HAVE BEEN PERFORMED IN ACCORDANCE WITH APPLICABLE CODES.
2. TO USE RATED LOAD CURVES:
 - A. CALCULATE VERTICAL AND HORIZONTAL FORCES ACTING ON MOUNTINGS INCLUDING TRANSLATIONS AND OVERTURNING MOMENTS.
 - B. THE INTERSECTION OF THE HORIZONTAL LOAD AND VERTICAL LOAD MUST FALL WITHIN THE RATING CURVE FOR THE SPECIFIC PART AND METHOD OF ATTACHMENT.
3. THE RATED LOAD CURVES ASSUME ONE OF THE FOLLOWING METHODS OF TIE-DOWN AT EACH MOUNT LOCATION:
 - A. FOUR (4) 3/4" DIA. HILTI "KWIK II" WEDGE ANCHORS, WITH MINIMUM 4-3/4" EMBEDMENT INTO 3000 PSI NORMAL WEIGHT CONCRETE. MINIMUM EDGE DISTANCE IS 9-3/4". (NOTE: OTHER BRANDS OF ANCHOR BOLTS ARE MAY BE USED PROVIDED THEY ARE OF EQUAL STRENGTH AND HAVE BEEN APPROVED BY OSHPD). TO ACHIEVE RATED LOAD, "SPECIAL INSPECTION" IS REQUIRED.

a. 50% OR ALTERNATE BOLTS IN A GROUP SHALL BE TESTED USING EITHER TEST VALUE SHOWN BELOW:

ANCHOR DIA.	WEDGE ANCHOR	
	TENSION (LBS)	TORQUE (FT- LBS)
3/4	3700	150

ANCHOR DIA. REFERS TO THE THREAD SIZE FOR WEDGE ANCHOR.

- a. APPLY PROOF TEST LOAD TO WEDGE ANCHORS WITHOUT REMOVING THE NUT, IF POSSIBLE. IF NOT POSSIBLE, REMOVE NUT AND INSTALL A THREADED COUPLER TO THE SAME TIGHTNESS OF THE ORIGINAL NUT USING A TORQUE WRENCH AND APPLY LOAD.
- c. REACTION LOADS FROM TEST FIXTURE MAY BE APPLIED CLOSE TO THE TESTED ANCHOR, PROVIDED THE ANCHOR IS NOT RESTRAINED FROM WITHDRAWING BY THE FIXTURE.
- d. TEST EQUIPMENT IS TO BE CALIBRATED BY AN APPROVED TESTING LABORATORY IN ACCORDANCE WITH STANDARD RECOGNIZED PROCEDURE.
- e. TESTING SHOULD OCCUR 24 HOURS MINIMUM AFTER THE INSTALLATION OF THE ANCHORS.
- f. THE FOLLOWING CRITERIA APPLY FOR THE ACCEPTANCE OF INSTALLED ANCHORS
 - 1) HYDRAULIC RAM METHOD
THE ANCHOR SHOULD HAVE NO OBSERVABLE MOVEMENT AT THE SPECIED TEST LOAD. A PRACTICAL WAY TO DETERMINE OBSERVABLE MOVEMENT IS THAT THE WASHER UNDER THAT NUT BECOMES LOOSE.
 - 2) TORQUE WRENCH METHOD
THE APPLICABLE TEST TORQUE MUST BE REACHED WITHIN ONE-HALF (1/2) TURN OF THE NUT.
- g. IF ANY ANCHOR FAILS TESTING, TEST ALL ANCHORS OF THE SAME CATEGORY NOT PREVIOUSLY TESTED UNTIL TWENTY (20) CONSECUTIVE PASS, THEN RESUME THE INITIAL TESTING FREQUENCY.
 - B. FOUR (4) 3/4" DIA. BOLTS PER ASTM A307 OR BETTER.
4. THE SUPPORT STRUCTURE (BY OTHERS) INCLUDING FLOOR, IS THE RESPONSIBILITY OF THE STRUCTURAL ENGINEER OF RECORD FOR A SITE SPECIFIC PROJECT.
5. ALL ISOLATED EQUIPMENT UTILITY CONNECTIONS SHALL HAVE SUFFICIENT FLEXIBILITY TO PERMIT ADEQUATE MOTION IN ALL DIRECTIONS.

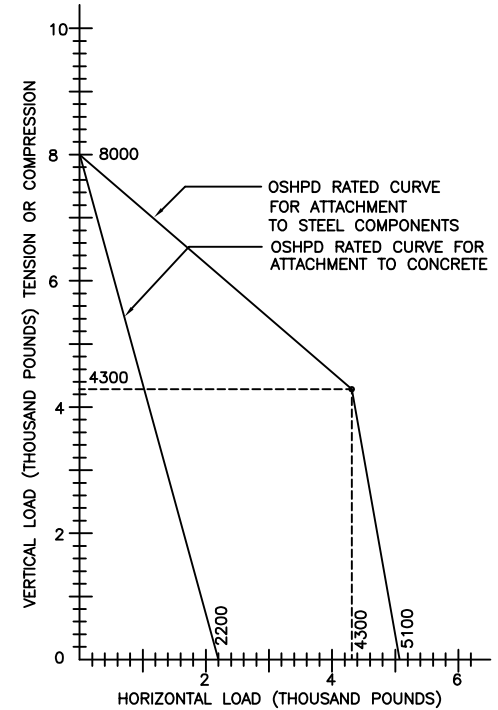




FIGURE 1
RATED LOADS FOR
AEQMR-2D-75 THRU -2D-1320N
 (SEE SHEET 1 FOR STATIC RATED LOADS)

OTHER MATERIALS, COMPOUNDS, OR FINISHES WITH EQUAL OR SUPERIOR PROPERTIES MAY BE SUBSTITUTED AS THEY BECOME AVAILABLE.

CERTIFIED FOR: JOB NAME: _____ CUSTOMER : _____ CUSTOMER P.O.: _____ SALES ORDER: _____	MODEL AEQMR-2D 75-1320 LBS. SEISMIC ISOLATORS 2 INCH DEFLECTION	 THE VMC GROUP <i>The Power of Together</i> Bloomingdale, NJ 07403 Houston, TX 77041	SCALE : NONE	Member 
			SHEET: 2 OF 2	
			DRAWING NO.: _____	REVISION _____