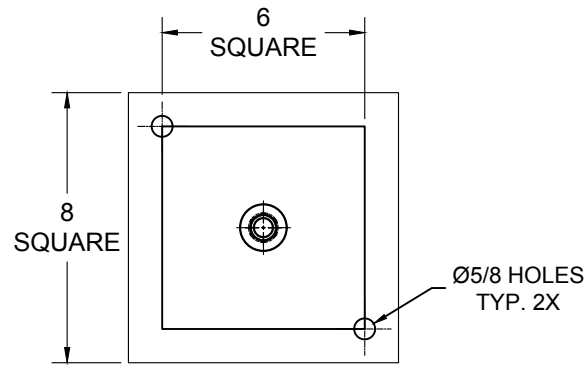
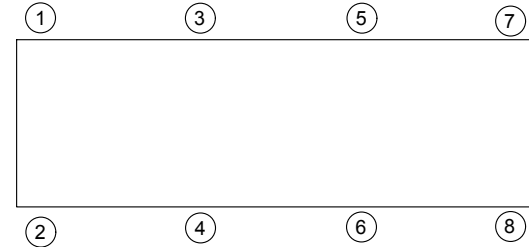
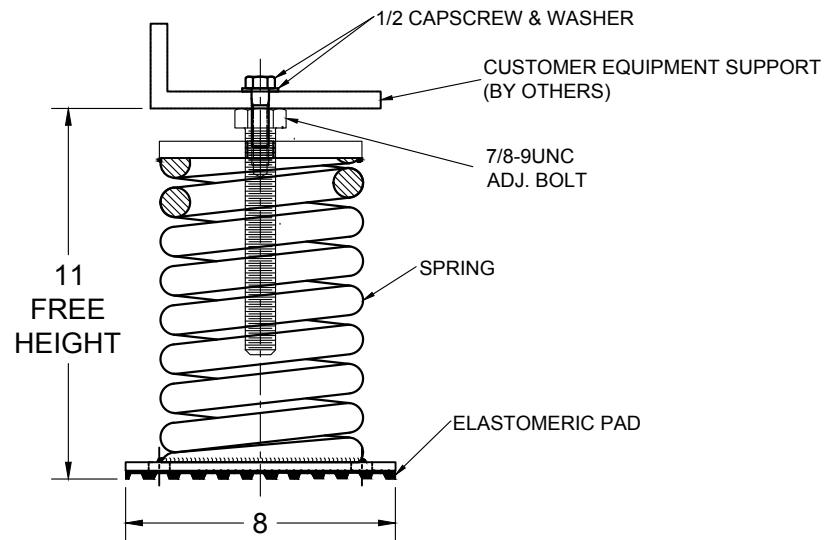


REV.	DESCRIPTION	DATE	BY



TYPES AB-3E SPRING-FLEX MOUNTINGS				
MODEL	MAX LOAD (LBS)	DEFLECTION (IN)	SPRING RATE (LB/IN)	SPRING COLOR CODE
AB-3E-1600 ¹	1600	3.00	533	DK GRAY
AB-3E-2110 ¹	2110	2.53	833	DK YELLOW
AB-3E-2440 ¹	2440	2.44	1000	RED
AB-3E-3500 ¹	3500	2.63	1333	GREEN

NOTES:
1. LOAD WILL BE LABELED ON ISOLATOR AND STENCILED ON BASE PLATE.



- NOTES:**
- ALL DIMENSIONS ARE IN INCHES. INTERPRET PER ANSI Y-14.
 - FINISH: HOUSING- ONE COAT BLACK, SPRING & PLATES BLACK. FINISH W/ COLOR STRIP ON SPRING PER COLOR CODE FROM TABLE, HARDWARE- ZINC ELECTROPLATE.
 - REFER TO DRAWING 2 OF 2 FOR INSTALLATION INSTRUCTIONS.
 - ALL SPRINGS DESIGNED WITH 50% OVER-TRAVEL.
 - RATED DEFLECTIONS ARE WITHIN 25% OF NOMINAL. HIGHER DEFLECTIONS ARE ALLOWED IF THEY MEET SPECIFICATIONS.

ISOLATOR SELECTIONS	
LOC 1:	LOC 2:
LOC 3:	LOC 4:
LOC 5:	LOC 6:
LOC 7:	LOC 8:
CUSTOMER EQPT. TAG:	

NOTE: MATERIAL SHOWN IS FOR (1) SET.

OTHER MATERIALS, COMPOUNDS, OR FINISHES WITH EQUAL OR SUPERIOR PROPERTIES MAY BE SUBSTITUTED AS THEY BECOME AVAILABLE.

CERTIFIED FOR:

JOB NAME: _____

CUSTOMER : _____

CUSTOMER P.O.: _____

SALES ORDER: _____

**MODEL AB-3E 1600-3500 LBS.
OPEN SPRING-FLEX MOUNTS
3 INCH DEFLECTION**

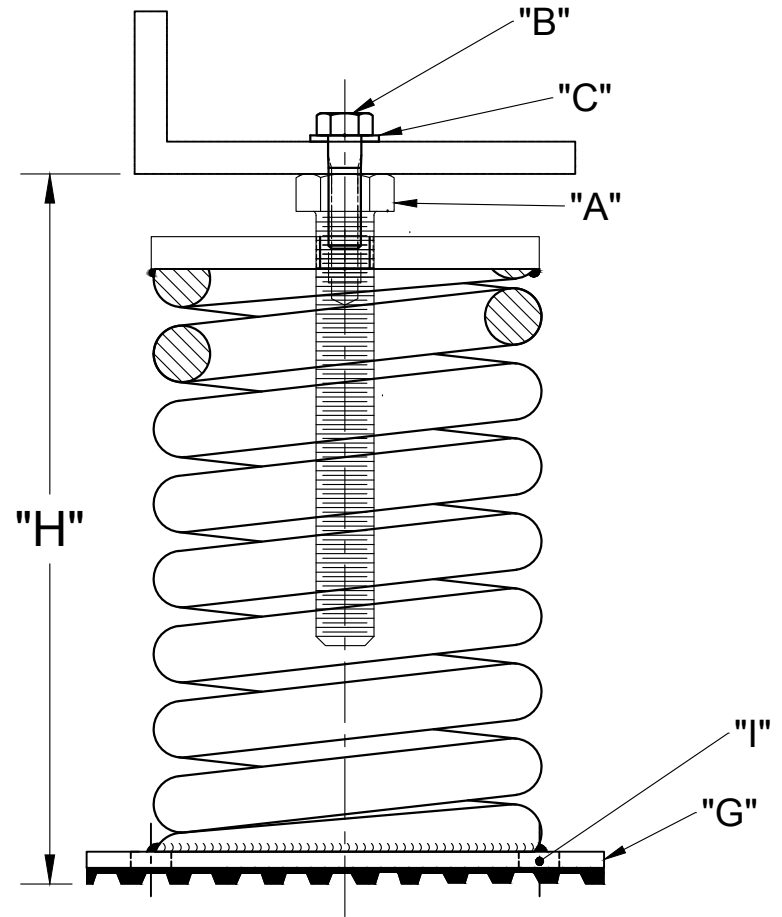
THE VMC GROUP
The Power of Together
Bloomingdale, NJ 07403
Houston, TX 77041

SCALE:	NONE	
SHEET:	1 OF 2	
DRAWING NO.:		REVISION

REV.	DESCRIPTION	DATE	BY

INSTALLATION INSTRUCTION

- ISOLATORS ARE SHIPPED FULLY ASSEMBLED AND ARE TO BE SPACED AND ARRANGED IN ACCORDANCE WITH INSTALLATION DRAWINGS OR AS OTHERWISE RECOMMENDED.
- SET ISOLATORS ON FLOOR OR SUB-BASE, ENSURING THAT ALL ISOLATOR CENTERLINES MATCH THE EQUIPMENT MOUNTING HOLES OR SPACE AND ARRANGE ISOLATORS IN ACCORDANCE WITH THE INSTALLATION DRAWING. SHIM OR GROUT AS REQUIRED LEVELING ALL ISOLATOR BASE PLATES AT THE SAME ELEVATION (1/4" MAXIMUM DIFFERENCE IN ELEVATION CAN BE TOLERATED). ISOLATOR BASE MUST REST ON A FLAT SURFACE.
- DESIGNATION OF ISOLATORS IS SHOWN ON TAG / LABEL ATTACHED TO EACH ISOLATOR OR ISOLATORS MAY BE IDENTIFIED BY SIZE OF BASE PLATE AND / OR SPRING COLOR CODE.
- IF FLOOR FASTENING IS REQUIRED, PLACE MOUNT AS INDICATED ON NOTE 1 THRU 3 AND ANCHOR USING (2) ANCHOR THRU HOLES "I" ON STEEL PLATE "G".
- REMOVE SCREW "B" & WASHER "C" FROM ADJUSTING BOLT "A", TURN ADJUSTING BOLT "A" COUNTER-CLOCKWISE TO SET "H" FOR ALL ISOLATORS.
- POSITION EQUIPMENT OVER THE ISOLATORS, ALIGN MOUNT ADJUSTING BOLT "A" TO EQUIPMENT BASE MOUNTING THRU HOLES.
- LOWER EQUIPMENT UNTIL IT REST ON ADJUSTING BOLT "A" (SPRING WILL COMPRESS)
- INSERT SCREW "B" WASHER "C" ON ADJUSTING BOLT "A".
- LEVEL EQUIPMENT BY TURNING ADJUSTING BOLT "A" AS REQUIRED
- TIGHTEN SCREW "B". INSTALLATION IS COMPLETE



OTHER MATERIALS, COMPOUNDS, OR FINISHES WITH EQUAL OR SUPERIOR PROPERTIES MAY BE SUBSTITUTED AS THEY BECOME AVAILABLE.

CERTIFIED FOR:

JOB NAME: _____

CUSTOMER : _____

CUSTOMER P.O.: _____

SALES ORDER: _____

MODEL AB-3E 1600-3500 LBS. OPEN
 SPRING-FLEX MOUNTS
 3 INCH DEFLECTION



THE VMC GROUP
 The Power of Together
 Bloomingdale, NJ 07403
 Houston, TX 77041

SCALE:	NONE	
SHEET:	2 OF 2	
DRAWING NO.:		REVISION